

4101:8-24-01 Fuel gas.

[Comment: When a reference is made within this rule to a federal statutory provision, an industry consensus standard, or any other technical publication, the specific date and title of the publication as well as the name and address of the promulgating agency are listed in rule 4101:8-44-01 of the Administrative Code. The application of the referenced standards shall be limited and as prescribed in section 102.5 of rule 4101:8-1-01 of the Administrative Code.]

SECTION 2401
GENERAL

2401.1 Application. This chapter covers those fuel gas piping systems, fuel-gas appliances and related accessories, venting systems and combustion air configurations most commonly encountered in the construction of one-, two- and three- family dwellings and structures regulated by this code.

Coverage of piping systems shall extend from the point of delivery to the outlet of the appliance shutoff valves (see definition of “Point of delivery”). Piping systems requirements shall include design, materials, components, fabrication, assembly, installation, testing, inspection, operation and maintenance. Requirements for gas appliances and related accessories shall include installation, combustion and ventilation air and venting and connections to piping systems.

The omission from this chapter of any material or method of installation provided for in the “International Fuel Gas Code” shall not be construed as prohibiting the use of such material or method of installation. Fuel-gas piping systems, fuel-gas appliances and related accessories, venting systems and combustion air configurations not specifically covered in these chapters shall comply with the applicable provisions of the “International Fuel Gas Code”.

Gaseous hydrogen systems shall be regulated by Chapter 7 of the “International Fuel Gas Code”.

This chapter shall not apply to the following:

1. Liquefied natural gas (LNG) installations.
2. Temporary LP-gas piping for buildings under construction or renovation that is not to become part of the permanent piping system.
3. Except as provided in Section 2412.1.1, gas piping, meters, gas pressure regulators, and other appurtenances used by the serving gas supplier in the distribution of gas, other than undiluted LP-gas.
4. Portable LP-gas appliances and equipment of all types that is not connected

- to a fixed fuel piping system.
5. Portable fuel cell appliances that are neither connected to a fixed piping system nor interconnected to a power grid.
 6. Installation of hydrogen gas, LP-gas and compressed natural gas (CNG) systems on vehicles.
 7. Existing fuel-gas piping systems, fuel-gas appliances and related accessories provided no serious hazard exists.

SECTION 2402 **GENERAL**

2402.1 Scope. Unless otherwise expressly stated, the following words and terms shall, for the purposes of this chapter, have the meanings indicated in this chapter.

2402.2 Interchangeability. Words used in the present tense include the future; words in the masculine gender include the feminine and neuter; the singular number includes the plural and the plural, the singular.

2402.3 Terms defined in other codes. Where terms are not defined in this code and are defined in the “Ohio Building Code”, *fire code*, *mechanical code*, “*International Fuel Gas Code*” or *plumbing code*, such terms shall have meanings ascribed to them as in those codes.

SECTION 2403 **GENERAL DEFINITIONS**

ACCESS (TO).

AIR CONDITIONER, GAS-FIRED.

AIR CONDITIONING.

AIR, EXHAUST.

AIR-HANDLING UNIT.

AIR, MAKEUP.

ALTERATION.

ANODELESS RISER.

APPLIANCE.

APPLIANCE, AUTOMATICALLY CONTROLLED.

APPLIANCE, FAN-ASSISTED COMBUSTION.

APPLIANCE, UNVENTED.

APPLIANCE, VENTED.

APPROVED.

APPROVED AGENCY.

ATMOSPHERIC PRESSURE.

AUTOMATIC IGNITION.

BAROMETRIC DRAFT REGULATOR.

BOILER, LOW-PRESSURE.

Hot water heating boiler.

Hot water supply boiler.

Steam heating boiler.

BONDING JUMPER.

BRAZING.

BTU.

BUILDING OFFICIAL.

BURNER.

Induced-draft.

Power.

CHIMNEY.

Factory-built chimney.

Masonry chimney.

CLEARANCE.

CLOTHES DRYER.

Type 1.

CODE.

COMBUSTIBLE ASSEMBLY.

COMBUSTIBLE MATERIAL.

COMBUSTION.

COMBUSTION AIR.

COMBUSTION CHAMBER.

COMBUSTION PRODUCTS.

CONCEALED LOCATION.

CONCEALED PIPING.

CONDENSATE.

CONNECTOR, APPLIANCE (Fuel).

CONNECTOR, CHIMNEY OR VENT.

CONTROL.

CONVERSION BURNER.

CUBIC FOOT.

DAMPER.

DECORATIVE APPLIANCE, VENTED.

**DECORATIVE APPLIANCES FOR INSTALLATION IN VENTED
FIREPLACES.**

DEMAND.

DESIGN FLOOD ELEVATION.

DILUTION AIR.

DIRECT-VENT APPLIANCES.

DRAFT.

Mechanical or induced draft.

Natural draft.

DRAFT HOOD.

DRAFT REGULATOR.

DRIP.

DUCT FURNACE.

DWELLING UNIT.

EQUIPMENT.

EXCESS FLOW VALVE (EFV).

EXTERIOR MASONRY CHIMNEYS.

FIREPLACE.

Factory-built fireplace.

Masonry fireplace.

FLAME SAFEGUARD.

FLASHBACK ARRESTOR CHECK VALVE.

FLOOD HAZARD AREA.

FLOOR FURNACE.

FLUE, APPLIANCE. The passage(s) within an appliance through which combustion products pass from the combustion chamber of the appliance to the draft hood inlet opening on an appliance equipped with a draft hood or to the outlet of the appliance on an appliance not equipped with a draft hood.

FLUE COLLAR.

FLUE GASES.

FLUE LINER (LINING).

FUEL GAS.

FURNACE.

FURNACE, CENTRAL.

FURNACE PLENUM.

GAS CONVENIENCE OUTLET.

GAS PIPING.

HAZARDOUS LOCATION.

HOUSE PIPING.

IGNITION PILOT.

IGNITION SOURCE.

INFRARED RADIANT HEATER.

JOINT, FLARED.

JOINT, MECHANICAL.

JOINT, PLASTIC ADHESIVE.

LABELED.

LEAK CHECK.

LIQUEFIED PETROLEUM GAS or LPG (LP-GAS).

LISTED.

LIVING SPACE.

LOG LIGHTER.

MAIN BURNER.

METER.

MODULATING.

NONCOMBUSTIBLE MATERIALS.

OFFSET (VENT).

OUTLET.

OXYGEN DEPLETION SAFETY SHUTOFF SYSTEM (ODS).

PILOT.

PIPING.

Pipe.

Tubing

PIPING SYSTEM.

PLASTIC, THERMOPLASTIC.

POINT OF DELIVERY.

PRESSURE DROP.

PRESSURE TEST.

PURGE.

READY ACCESS (TO).

REGULATOR.

REGULATOR, GAS APPLIANCE.

REGULATOR, LINE GAS PRESSURE.

REGULATOR, MEDIUM-PRESSURE (MP Regulator).

REGULATOR, PRESSURE.

REGULATOR, SERVICE PRESSURE.

RELIEF OPENING.

RELIEF VALVE (DEVICE).

RELIEF VALVE, PRESSURE.

RELIEF VALVE, TEMPERATURE.

Manual reset type.

Reseating or self-closing type.

RELIEF VALVE, VACUUM.

RISER, GAS.

ROOM HEATER, UNVENTED.

ROOM HEATER, VENTED.

SAFETY SHUTOFF DEVICE.**SHAFT.****SPECIFIC GRAVITY.****THERMOSTAT.****Electric switch type.****Integral gas valve type. Deleted.**

1. Deleted.

2. Deleted.

THIRD-PARTY CERTIFICATION AGENCY. Deleted.**THIRD-PARTY CERTIFIED. Deleted.****THIRD-PARTY TESTED. Deleted.****TOILET, GAS-FIRED.****TRANSITION FITTINGS, PLASTIC TO STEEL.****UNIT HEATER.****High-static pressure type. Deleted.****Low-static pressure type. Deleted.****UNVENTED ROOM HEATER.****VALVE.****Appliance shutoff.****Automatic.****Automatic gas shutoff.****Individual main burner.****Main burner control.****Manual main gas-control.****Manual reset.****Service shutoff.****VENT.****Special gas vent.****Type B vent.****Type BW vent.****Type L vent.****VENT CONNECTOR.****VENT PIPING.****Breather.****Relief.****VENTED APPLIANCE CATEGORIES.****Category I.****Category II.****Category III.****Category IV.****VENTED ROOM HEATER.**

VENTED WALL FURNACE.
VENTING SYSTEM.
WALL HEATER, UNVENTED TYPE.
WATER HEATER.

SECTION 2404
GENERAL

2404.1 Scope. This section shall govern the approval and installation of all equipment and appliances that comprise parts of the installations regulated by this code in accordance with Section 2401.

2404.2 Other fuels. The requirements for combustion and dilution air for gas-fired appliances shall be governed by Section 2407. The requirements for combustion and dilution air for appliances operating with fuels other than fuel gas shall be regulated by Chapter 17.

2404.3 Listed and labeled. Appliances regulated by this code shall be listed and labeled for the application in which they are used unless otherwise approved in accordance with *Sections 106.4 and 106.5*. The approval of unlisted appliances in accordance with *Sections 106.4 and 106.5* shall be based on approved engineering evaluation.

2404.4 Vibration isolation. Where means for isolation of vibration of an appliance is installed, an approved means for support and restraint of that appliance shall be provided.

2404.5 Repair. Defective material or parts shall be replaced or repaired in such a manner so as to preserve the original approval or listing.

2404.6 Wind resistance. Appliances and supports that are exposed to wind shall be designed and installed to resist the wind pressures determined in accordance with this code.

2404.7 Flood hazard. For structures located in flood hazard areas, the appliance, equipment and system installations regulated by this code shall be located at or above the elevation required by Section 322 for utilities and attendant equipment.

Exception: The appliance, equipment and system installations regulated by this code are permitted to be located below the elevation required by Section 322 for utilities and attendant equipment provided that they are designed and installed to prevent water from entering or accumulating within the components

and to resist hydrostatic and hydrodynamic loads and stresses, including the effects of buoyancy, during the occurrence of flooding to such elevation.

2404.8 Seismic resistance. Where earthquake loads are applicable in accordance with this code, the supports shall be designed and installed for the seismic forces in accordance with this code.

2404.9 Rodentproofing. Buildings or structures and the walls enclosing habitable or occupiable rooms and spaces in which persons live, sleep or work, or in which feed, food or foodstuffs are stored, prepared, processed, served or sold, shall be constructed to protect against the entry of rodents.

2404.10 Auxiliary drain pan. Category IV condensing appliances shall be provided with an auxiliary drain pan where damage to any building component will occur as a result of stoppage in the condensate drainage system. Such pan shall be installed in accordance with the applicable provisions of the *mechanical code* Section 1411.

Exception: An auxiliary drain pan shall not be required for appliances that automatically shut down operation in the event of a stoppage in the condensate drainage system.

2404.11 Condensate pumps. Condensate pumps located in uninhabitable spaces, such as attics and crawl spaces, shall be connected to the appliance or equipment served such that when the pump fails, the appliance or equipment will be prevented from operating. Pumps shall be installed in accordance with the manufacturer's instructions.

SECTION 2405 **STRUCTURAL SAFETY**

2405.1 Structural safety. The building shall not be weakened by the installation of any gas piping. In the process of installing or repairing any gas piping, the finished floors, walls, ceilings, tile work or any other part of the building or premises that is required to be changed or replaced shall be left in a safe structural condition in accordance with the requirements of this code.

2405.2 Alterations to trusses. Truss members and components shall not be cut, drilled, notched, spliced or otherwise altered in any way without the written concurrence and approval of a registered design professional. Alterations resulting in the addition of loads to any member, such as HVAC equipment and water heaters, shall not be permitted without verification that the truss is capable of

supporting such additional loading.

2405.3 Engineered wood products. Cuts, notches and holes bored in trusses, structural composite lumber, structural glued-laminated members and I-joists are prohibited except where permitted by the manufacturer's recommendations or where the effects of such alterations are specifically considered in the design of the member by a registered design professional.

SECTION 2406 **APPLIANCE LOCATION**

2406.1 General. Appliances shall be located as required by this section, specific requirements elsewhere in this code and the conditions of the equipment and appliance listing.

2406.2 Prohibited locations. Appliances shall not be located in sleeping rooms, bathrooms, toilet rooms, storage closets or surgical rooms, or in a space that opens only into such rooms or spaces, except where the installation complies with one of the following:

1. The appliance is a direct-vent appliance installed in accordance with the conditions of the listing and the manufacturer's instructions.
2. Vented room heaters, wall furnaces, vented decorative appliances, vented gas fireplaces, vented gas fireplace heaters and decorative appliances for installation in vented solid fuel-burning fireplaces are installed in rooms that meet the required volume criteria of Section 2407.5.
3. A single wall-mounted unvented room heater is installed in a bathroom and such unvented room heater is equipped as specified in Section 2445.6 and has an input rating not greater than 6,000 Btu/h (1.76 kW). The bathroom shall meet the required volume criteria of Section 2407.5.
4. A single wall-mounted unvented room heater is installed in a bedroom and such unvented room heater is equipped as specified in Section G2445.6 and has an input rating not greater than 10,000 Btu/h (2.93 kW). The bedroom shall meet the required volume criteria of Section 2407.5.
5. The appliance is installed in a room or space that opens only into a bedroom or bathroom, and such room or space is used for no other purpose and is provided with a solid weather-stripped door equipped with an approved self-closing device. Combustion air shall be taken directly from the outdoors in accordance with Section 2407.6.
6. A clothes dryer is installed in a residential bathroom or toilet room having a permanent opening with an area of not less than 100 square inches (0.06 m²) that communicates with a space outside of a sleeping room, bathroom,

toilet room or storage closet.

2406.3 Outdoor locations. Appliances installed in outdoor locations shall be either listed for outdoor installation or provided with protection from outdoor environmental factors that influence the operability, durability and safety of the appliance.

SECTION 2407 **COMBUSTION, VENTILATION AND DILUTION AIR**

2407.1 General. Air for combustion, ventilation and dilution of flue gases for appliances installed in buildings shall be provided by application of one of the methods pre- scribed in Sections 2407.5 through 2407.9. Where the requirements of Section 2407.5 are not met, outdoor air shall be introduced in accordance with one of the methods prescribed in Sections 2407.6 through 2407.9. Direct-vent appliances, gas appliances of other than natural draft design, vented gas appliances not designated as Category I and appliances equipped with power burners, shall be provided with combustion, ventilation and dilution air in accordance with the appliance manufacturer's instructions.

Exception: Type 1 clothes dryers that are provided with makeup air in accordance with Section 2439.5.

2407.2 Appliance location. Appliances shall be located so as not to interfere with proper circulation of combustion, ventilation and dilution air.

2407.3 Draft hood/regulator location. Where used, a draft hood or a barometric draft regulator shall be installed in the same room or enclosure as the appliance served to prevent any difference in pressure between the hood or regulator and the combustion air supply.

2407.4 Makeup air provisions. Where exhaust fans, clothes dryers and kitchen ventilation systems interfere with the operation of appliances, makeup air shall be provided.

2407.5 Indoor combustion air. The required volume of indoor air shall be determined in accordance with Section 2407.5.1 or 2407.5.2, except that where the air infiltration rate is known to be less than 0.40 air changes per hour (ACH), Section 2407.5.2 shall be used. The total required volume shall be the sum of the required volume calculated for all appliances located within the space. Rooms communicating directly with the space in which the appliances are installed through openings not furnished with doors, and through combustion air openings sized and

located in accordance with Section 2407.5.3, are considered to be part of the required volume.

2407.5.1 Standard method. The minimum required volume shall be 50 cubic feet per 1,000 Btu/h (4.8 m³/kW) of the appliance input rating.

2407.5.2 Known air-infiltration-rate method. Where the air infiltration rate of a structure is known, the minimum required volume shall be determined as follows:

For appliances other than fan-assisted, calculate volume using Equation 24-1.

$$\text{Required Volume}_{\text{other}} \geq \frac{21 \text{ ft}^3}{ACH} \left(\frac{I_{\text{other}}}{1,000 \text{ Btu/h}} \right) \quad \text{(Equation 24-1)}$$

For fan-assisted appliances, calculate volume using Equation 24-2.

$$\text{Required Volume}_{\text{fan}} \geq \frac{15 \text{ ft}^3}{ACH} \left(\frac{I_{\text{fan}}}{1,000 \text{ Btu/hr}} \right) \quad \text{(Equation 24-2)}$$

Where:

I_{other} = All appliances other than fan assisted (input in Btu/h).

I_{fan} = Fan-assisted appliance (input in Btu/h).

ACH = Air change per hour (percent of volume of space exchanged per hour, expressed as a decimal).

For purposes of this calculation, an infiltration rate greater than 0.60 ACH shall not be used in Equations 24-1 and 24-2.

2407.5.3 Indoor opening size and location. Openings used to connect indoor spaces shall be sized and located in accordance with Sections 2407.5.3.1 and 2407.5.3.2 (see Figure 2407.5.3).

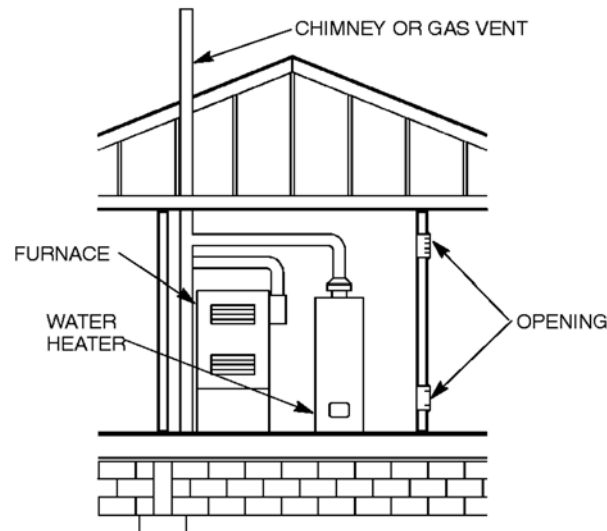


FIGURE 2407.5.3
ALL AIR FROM INSIDE THE BUILDING

2407.5.3.1 Combining spaces on the same story. Where combining spaces on the same story, each opening shall have a minimum free area of 1 square inch per 1,000 Btu/h (2,200 mm²/kW) of the total input rating of all appliances in the space, but not less than 100 square inches (0.06 m²). One permanent opening shall commence within 12 inches (305 mm) of the top and one permanent opening shall commence within 12 inches (305 mm) of the bottom of the enclosure. The minimum dimension of air openings shall be not less than 3 inches (76 mm).

2407.5.3.2 Combining spaces in different stories. The volumes of spaces in different stories shall be considered to be communicating spaces where such spaces are connected by one or more permanent openings in doors or floors having a total minimum free area of 2 square inches per 1,000 Btu/h (4402 mm²/kW) of total input rating of all appliances.

2407.6 Outdoor combustion air. Outdoor combustion air shall be provided through opening(s) to the outdoors in accordance with Section 2407.6.1 or 2407.6.2. The minimum dimension of air openings shall be not less than 3 inches (76 mm).

2407.6.1 Two-permanent-openings method. Two permanent openings, one commencing within 12 inches (305 mm) of the top and one commencing within

12 inches (305 mm) of the bottom of the enclosure, shall be provided. The openings shall communicate directly or by ducts with the outdoors or spaces that freely communicate with the outdoors.

Where directly communicating with the outdoors, or where communicating with the outdoors through vertical ducts, each opening shall have a minimum free area of 1 square inch per 4,000 Btu/h (550 mm²/kW) of total input rating of all appliances in the enclosure [see Figures 2407.6.1(1) and 2407.6.1(2)].

Where communicating with the outdoors through horizontal ducts, each opening shall have a minimum free area of not less than 1 square inch per 2,000 Btu/h (1100 mm²/kW) of total input rating of all appliances in the enclosure [see Figure 2407.6.1(3)].

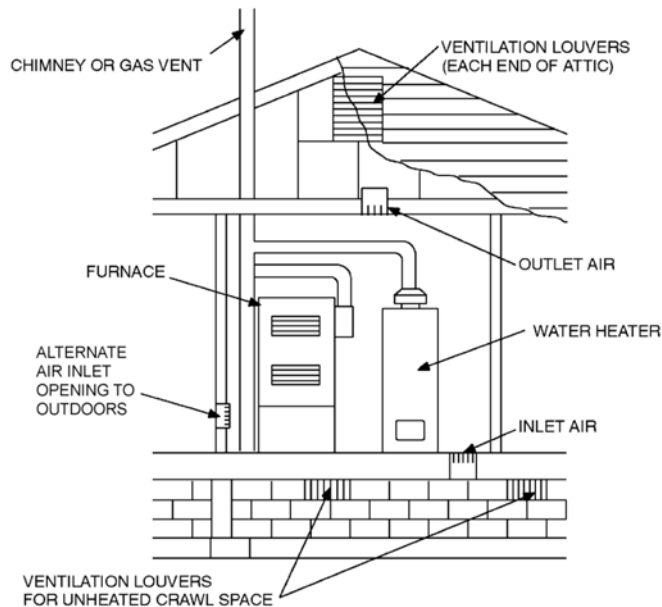


FIGURE 2407.6.1(1)
ALL AIR FROM OUTDOORS –
INLET AIR FROM VENTILATED CRAWL SPACE AND
OUTLET AIR TO VENTILATED ATTIC

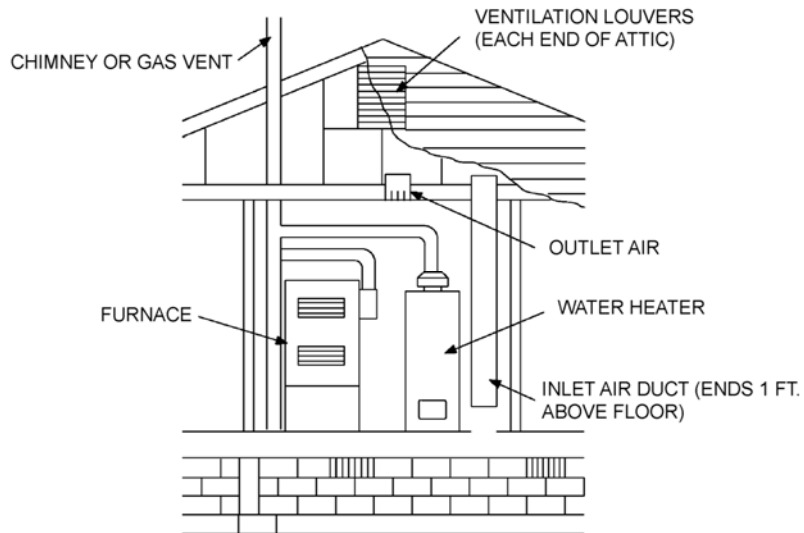


FIGURE 2407.6.1(2)
ALL AIR FROM OUTDOORS THROUGH VENTILATED ATTIC

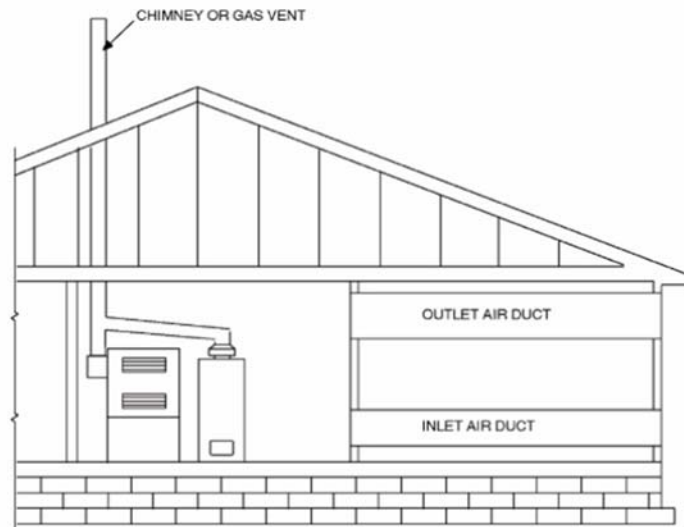


FIGURE 2407.6.1(3)
ALL AIR FROM OUTDOORS

2407.6.2 One-permanent-opening method. One permanent opening, commencing within 12 inches (305 mm) of the top of the enclosure, shall be provided. The appliance shall have clearances of not less than 1 inch (25 mm) from the sides and back and 6 inches (152 mm) from the front of the appliance.

The opening shall directly communicate with the outdoors or through a vertical or horizontal duct to the outdoors, or spaces that freely communicate with the outdoors (see Figure 2407.6.2) and shall have a minimum free area of 1 square inch per 3,000 Btu/h (734 mm²/kW) of the total input rating of all appliances located in the enclosure and not less than the sum of the areas of all vent connectors in the space.

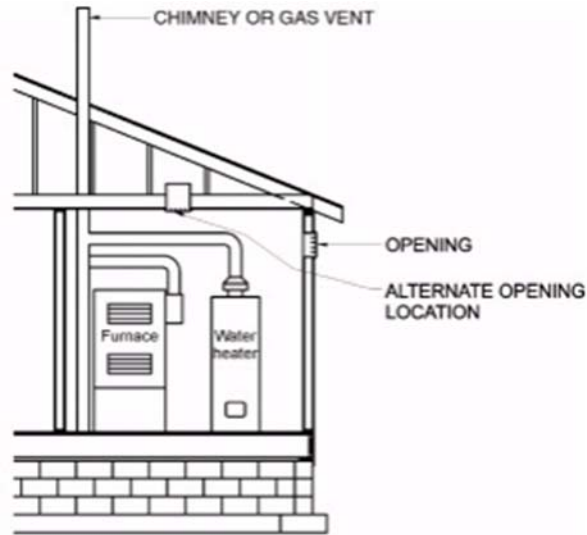


FIGURE 2407.6.2
SINGLE COMBUSTION AIR OPENING, ALL AIR FROM OUTDOORS

2407.7 Combination indoor and outdoor combustion air. The use of a combination of indoor and outdoor combustion air shall be in accordance with Sections 2407.7.1 through 2407.7.3.

2407.7.1 Indoor openings. Where used, openings connecting the interior spaces shall comply with Section 2407.5.3.

2407.7.2 Outdoor opening location. Outdoor opening(s) shall be located in accordance with Section 2407.6.

2407.7.3 Outdoor opening(s) size. The outdoor opening(s) size shall be calculated in accordance with the following:

1. The ratio of interior spaces shall be the available volume of all communicating spaces divided by the required volume.
2. The outdoor size reduction factor shall be one minus the ratio of interior spaces.

3. The minimum size of outdoor opening(s) shall be the full size of outdoor opening(s) calculated in accordance with Section G2407.6, multiplied by the reduction factor. The minimum dimension of air openings shall be not less than 3 inches (76 mm).

2407.8 Engineered installations. Engineered combustion air installations shall provide an adequate supply of combustion, ventilation and dilution air and shall be approved.

2407.9 Mechanical combustion air supply. Where all combustion air is provided by a mechanical air supply system, the combustion air shall be supplied from the outdoors at a rate not less than 0.35 cubic feet per minute per 1,000 Btu/h (0.034 m³/min per kW) of total input rating of all appliances located within the space.

2407.9.1 Makeup air. Where exhaust fans are installed, makeup air shall be provided to replace the exhausted air.

2407.9.2 Appliance interlock. Each of the appliances served shall be interlocked with the mechanical air supply system to prevent main burner operation when the mechanical air supply system is not in operation.

2407.9.3 Combined combustion air and ventilation air system. Where combustion air is provided by the building's mechanical ventilation system, the system shall provide the specified combustion air rate in addition to the required ventilation air.

2407.10 Louvers and grilles. The required size of openings for combustion, ventilation and dilution air shall be based on the net free area of each opening. Where the free area through a design of louver, grille or screen is known, it shall be used in calculating the size opening required to provide the free area specified. Where the design and free area of louvers and grilles are not known, it shall be assumed that wood louvers will have 25-percent free area and metal louvers and grilles will have 75-percent free area. Screens shall have a mesh size not smaller than $\frac{1}{4}$ inch (6.4 mm).

Non-motorized louvers and grilles shall be fixed in the open position. Motorized louvers shall be interlocked with the appliance so that they are proven to be in the full open position prior to main burner ignition and during main burner operation. Means shall be provided to prevent the main burner from igniting if the louvers fail to open during burner start-up and to shut down the main burner if the louvers close during operation.

2407.11 Combustion air ducts. Combustion air ducts shall comply with all of the following:

1. Ducts shall be constructed of galvanized steel complying with Chapter 16 or of a material having equivalent corrosion resistance, strength and rigidity.
Exception: Within dwellings units, unobstructed stud and joist spaces shall not be prohibited from conveying combustion air, provided that not more than one required fireblock is removed.
2. Ducts shall terminate in an unobstructed space allowing free movement of combustion air to the appliances.
3. Ducts shall serve a single enclosure.
4. Ducts shall not serve both upper and lower combustion air openings where both such openings are used. The separation between ducts serving upper and lower combustion air openings shall be maintained to the source of combustion air.
5. Ducts shall not be screened where terminating in an attic space.
6. Horizontal upper combustion air ducts shall not slope downward toward the source of combustion air.
7. The remaining space surrounding a chimney liner, gas vent, special gas vent or plastic piping installed within a masonry, metal or factory-built chimney shall not be used to supply combustion air.
Exception: Direct-vent gas-fired appliances designed for installation in a solid fuel-burning fire- place where installed in accordance with the manufacturer's instructions.
8. Combustion air intake openings located on the exterior of a building shall have the lowest side of such openings located not less than 12 inches (305 mm) vertically from the adjoining finished ground level.

2407.12 Protection from fumes and gases. Where corrosive or flammable process fumes or gases, other than products of combustion, are present, means for the disposal of such fumes or gases shall be provided. Such fumes or gases include carbon monoxide, hydrogen sulfide, ammonia, chlorine and halogenated hydrocarbons.

In barbershops, beauty shops and other facilities where chemicals that generate corrosive or flammable products, such as aerosol sprays, are routinely used, non-direct vent-type appliances shall be located in a mechanical room separated or partitioned off from other areas with provisions for combustion air and dilution air from the outdoors. Direct-vent appliances shall be installed in accordance with the appliance manufacturer's instructions.

SECTION 2408 **INSTALLATION**

2408.1 General. Equipment and appliances shall be installed as required by the terms of their approval, in accordance with the conditions of listing, the manufacturer's instructions and this code. Manufacturer's installation instructions shall be available on the job site at the time of inspection. Where a code provision is less restrictive than the conditions of the listing of the equipment or appliance or the manufacturer's installation instructions, the conditions of the listing and the manufacturer's installation instructions shall apply.

Unlisted appliances approved in accordance with Section 2404.3 shall be limited to uses recommended by the manufacturer and shall be installed in accordance with the manufacturer's instructions, the provisions of this code and the requirements determined by the *building* official.

2408.2 Elevation of ignition source. Equipment and appliances having an ignition source shall be elevated such that the source of ignition is not less than 18 inches (457 mm) above the floor in hazardous locations and public garages, private garages, repair garages, motor fuel-dispensing facilities and parking garages. For the purpose of this section, rooms or spaces that are not part of the living space of a dwelling unit and that communicate directly with a private garage through openings shall be considered to be part of the private garage.

Exception: Elevation of the ignition source is not required for appliances that are listed as flammable-vapor-ignition resistant.

2408.2.1 Installation in residential garages. In residential garages where appliances are installed in a separate, enclosed space having access only from outside of the garage, such appliances shall be permitted to be installed at floor level, provided that the required combustion air is taken from the exterior of the garage.

2408.3 Private garages. Appliances located in private garages shall be installed with a minimum clearance of 6 feet (1829 mm) above the floor.

Exception: The requirements of this section shall not apply where the appliances are protected from motor vehicle impact and installed in accordance with Section 2408.2.

2408.4 Clearances from grade. Equipment and appliances installed at grade level shall be supported on a level concrete slab or other approved material extending not less than 3 inches (76 mm) above adjoining grade or shall be suspended not less than 6 inches (152 mm) above adjoining grade. Such supports shall be installed in accordance with the manufacturer's instructions.

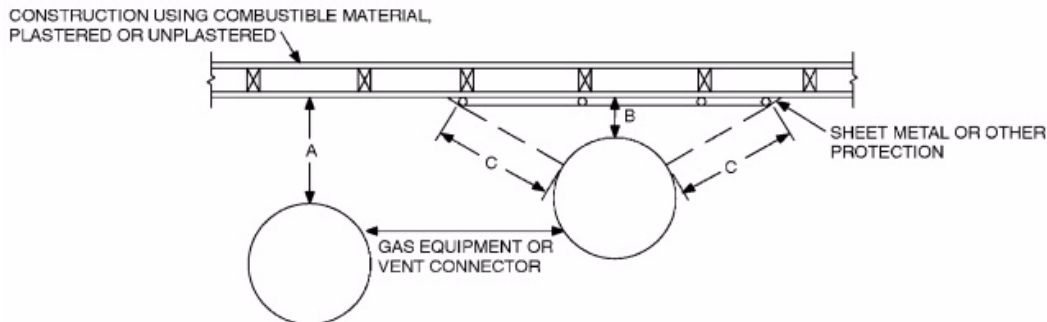
2408.5 Clearances to combustible construction. Heat-producing equipment and appliances shall be installed to maintain the required clearances to combustible construction as specified in the listing and manufacturer's instructions. Such clearances shall be reduced only in accordance with Section 2409. Clearances to combustibles shall include such considerations as door swing, drawer pull, overhead projections or shelving and window swing. Devices, such as door stops or limits and closers, shall not be used to provide the required clearances.

2408.6 Avoid strain on gas piping. Appliances shall be supported and connected to the piping so as not to exert undue strain on the connections.

SECTION 2409 **CLEARANCE REDUCTION**

2409.1 Scope. This section shall govern the reduction in required clearances to combustible materials, including gypsum board, and combustible assemblies for chimneys, vents, appliances, devices and equipment. Clearance requirements for air-conditioning equipment and central heating boilers and furnaces shall comply with Sections 2409.3 and 2409.4.

2409.2 Reduction table. The allowable clearance reduction shall be based on one of the methods specified in Table 2409.2 or shall utilize a reduced clearance protective assembly listed and labeled in accordance with UL 1618. Where required clearances are not listed in Table 2409.2, the reduced clearances shall be determined by linear interpolation between the distances listed in the table. Reduced clearances shall not be derived by extrapolation below the range of the table. The reduction of the required clearances to combustibles for listed and labeled appliances and equipment shall be in accordance with the requirements of this section, except that such clearances shall not be reduced where reduction is specifically prohibited by the terms of the appliance or equipment listing [see Figures 2409.2(1) through 2409.2(3)].

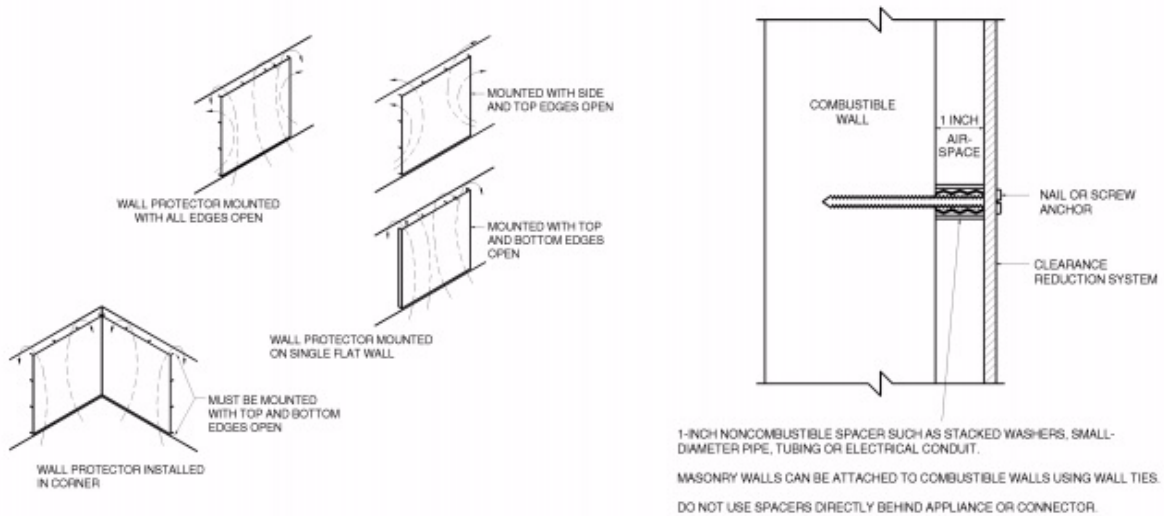


NOTES:

A =the clearance without protection.

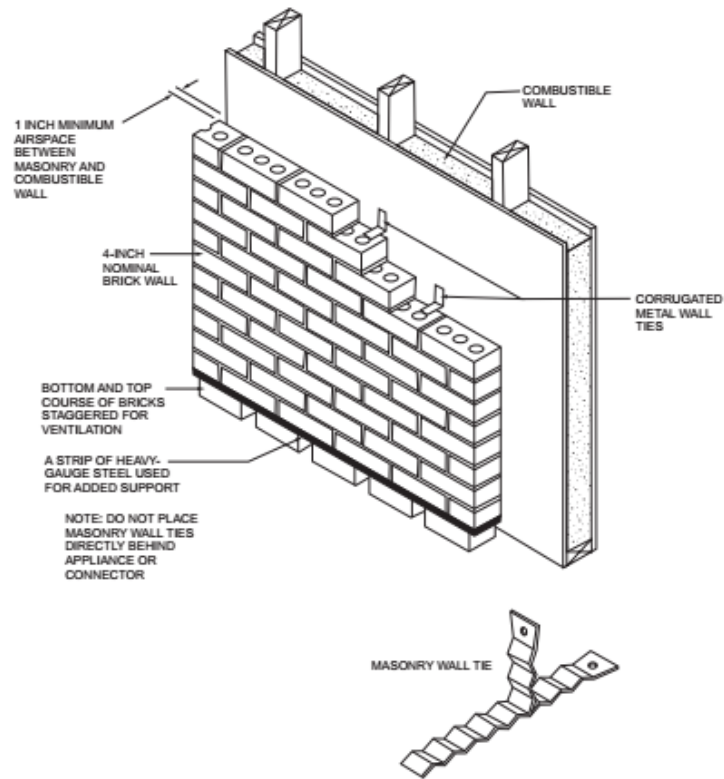
B =the reduced clearance permitted in accordance with Table 2409.2. The protection applied to the construction using combustible material shall extend far enough in each direction to make “C” equal to “A.”

FIGURE 2409.2(1)
EXTENT OF PROTECTION NECESSARY TO REDUCE CLEARANCES
FROM GAS EQUIPMENT OR VENT CONNECTORS



For SI: 1 inch = 25.4 mm.

FIGURE 2409.2(2)
WALL PROTECTOR CLEARANCE REDUCTION SYSTEM



For SI: 1 inch = 25.4 mm.

FIGURE 2409.2(3)
MASONRY CLEARANCE REDUCTION SYSTEM

TABLE 2409.2 a through k
REDUCTION OF CLEARANCES WITH SPECIFIED FORMS OF PROTECTION

TYPE OF PROTECTION APPLIED TO AND COVERING ALL SURFACES OF COMBUSTIBLE MATERIAL WITHIN THE DISTANCE SPECIFIED AS THE REQUIRED CLEARANCE WITH NO PROTECTION [see Figures G2409.2(1), G2409.2(2), and G2409.2(3)]	WHERE THE REQUIRED CLEARANCE WITH NO PROTECTION FROM APPLIANCE, VENT CONNECTOR, OR SINGLE-WALL METAL PIPE IS: (inches)									
	36		18		12		9		6	
	Allowable clearances with specified protection (inches)									
	Use Column 1 for clearances above appliance or horizontal connector. Use Column 2 for clearances from appliance, vertical connector and single-wall metal pipe.									
	Above Col. 1	Sides and rear Col. 2	Above Col. 1	Sides and rear Col. 2	Above Col. 1	Sides and rear Col. 2	Above Col. 1	Sides and rear Col. 2	Above Col. 1	Sides and rear Col. 2
1. 3½-inch-thick masonry wall without ventilated airspace	—	24	—	12	—	9	—	6	—	5
2. ½-inch insulation board over 1-inch glass fiber or mineral wool batts	24	18	12	9	9	6	6	5	4	3
3. 0.024-inch (nominal 24 gage) sheet metal over 1-inch glass fiber or mineral wool batts reinforced with wire on rear face with ventilated airspace	18	12	9	6	6	4	5	3	3	3
4. 3½-inch-thick masonry wall with ventilated airspace	—	12	—	6	—	6	—	6	—	6
5. 0.024-inch (nominal 24 gage) sheet metal with ventilated airspace	18	12	9	6	6	4	5	3	3	2
6. ½-inch-thick insulation board with ventilated airspace	18	12	9	6	6	4	5	3	3	3
7. 0.024-inch (nominal 24 gage) sheet metal with ventilated airspace over 0.024-inch (nominal 24 gage) sheet metal with ventilated airspace	18	12	9	6	6	4	5	3	3	3
8. 1-inch glass fiber or mineral wool batts sandwiched between two sheets 0.024-inch (nominal 24 gage) sheet metal with ventilated airspace	18	12	9	6	6	4	5	3	3	3

For SI: 1 inch = 25.4 mm, °C = [(°F - 32)/1.8], 1 pound per cubic foot = 16.02

kg/m³, 1 Btu per inch per square foot per hour per °F = 0.144 W/m² × K.

- a. Reduction of clearances from combustible materials shall not interfere with combustion air, draft hood clearance and relief, and accessibility of servicing.
- b. Clearances shall be measured from the outer surface of the combustible material to the nearest point on the surface of the appliance, disregarding any intervening protection applied to the combustible material.
- c. Spacers and ties shall be of noncombustible material. A spacer or tie shall not be used directly opposite an appliance or connector.
- d. For all clearance reduction systems using a ventilated airspace, adequate provision for air circulation shall be provided as described [see Figures 2409.2(2) and 2409.2(3)].
- e. There shall be not less than 1 inch between clearance reduction systems and combustible walls and ceilings for reduction systems using ventilated airspace.
- f. Where a wall protector is mounted on a single flat wall away from corners, it shall have a minimum 1-inch air gap. To provide air circulation, the bottom and top edges, or only the side and top edges, or all edges shall be left open.
- g. Mineral wool batts (blanket or board) shall have a density of 8 pounds per cubic foot and a minimum melting point of 1500°F.
- h. Insulation material used as part of a clearance reduction system shall have a thermal conductivity of 1.0 Btu per inch per square foot per hour per °F or less.

- i. There shall be not less than 1 inch between the appliance and the protector. In no case shall the clearance between the appliance and the combustible surface be reduced below that allowed in this table.
- j. Clearances and thicknesses are minimum; larger clearances and thicknesses are acceptable.
- k. Listed single-wall connectors shall be installed in accordance with the manufacturer's instructions.

2409.3 Clearances for indoor air-conditioning appliances. Clearance requirements for indoor air-conditioning appliances shall comply with Sections 2409.3.1 through 2409.3.4.

2409.3.1 Appliances clearances. Air-conditioning appliances shall be installed with clearances in accordance with the manufacturer's instructions.

2409.3.2 Clearance reduction. Air-conditioning appliances shall be permitted to be installed with reduced clearances to combustible material, provided that the combustible material or appliance is protected as described in Table 2409.2 and such reduction is allowed by the manufacturer's instructions.

2409.3.3 Plenum clearances. Where the furnace plenum is adjacent to plaster on metal lath or non-combustible material attached to combustible material, the clearance shall be measured to the surface of the plaster or other noncombustible finish where the clearance specified is 2 inches (51 mm) or less.

2409.3.4 Clearance from supply ducts. Supply air ducts connecting to listed central heating furnaces shall have the same minimum clearance to combustibles as required for the furnace supply plenum for a distance of not less than 3 feet (914 mm) from the supply plenum. Clearance is not required beyond the 3-foot (914 mm) distance.

2409.4 Central-heating boilers and furnaces. Clearance requirements for central-heating boilers and furnaces shall comply with Sections 2409.4.1 through 2409.4.5. The clearance to these appliances shall not interfere with combustion air; draft hood clearance and relief; and accessibility for servicing.

2409.4.1 Appliances clearances. Central-heating furnaces and low-pressure boilers shall be installed with clearances in accordance with the manufacturer's instructions.

2409.4.2 Clearance reduction. Central-heating furnaces and low-pressure boilers shall be permitted to be installed with reduced clearances to combustible material provided that the combustible material or appliance is protected as described in Table 2409.2 and such reduction is allowed by the manufacturer's

instructions.

2409.4.3 Plenum clearances. Where the furnace plenum is adjacent to plaster on metal lath or non-combustible material attached to combustible material, the clearance shall be measured to the surface of the plaster or other noncombustible finish where the clearance specified is 2 inches (51 mm) or less.

2409.4.4 Clearance from supply ducts. Supply air ducts connecting to listed central heating furnaces shall have the same minimum clearance to combustibles as required for the furnace supply plenum for a distance of not less than 3 feet (914 mm) from the supply plenum. Clearance is not required beyond the 3-foot (914 mm) distance.

2409.4.5 Clearance for servicing appliances. Front clearance shall be sufficient for servicing the burner and the furnace or boiler.

SECTION 2410 **ELECTRICAL**

2410.1 Grounding. Gas piping shall not be used as a grounding electrode.

2410.2 Connections. Electrical connections between appliances and the building wiring, including the grounding of the appliances, shall conform to *NFPA 70 as modified by Chapter 34.*

SECTION 2411 **ELECTRICAL BONDING**

2411.1 Pipe and tubing other than CSST. Each above-ground portion of a gas piping system other than corrugated stainless steel tubing (CSST) that is likely to become energized shall be electrically continuous and bonded to an effective ground-fault current path. Gas piping other than CSST shall be considered to be bonded where it is connected to an appliance that is connected to the equipment grounding conductor of the circuit that supplies that appliance.

2411.2 CSST. This section applies to corrugated stainless steel tubing (CSST) that is not listed with an arc-resistant jacket or coating system in accordance with ANSI LC1/CSA 6.26. CSST gas piping systems and piping systems containing one or more segments of CSST shall be electrically continuous and bonded to the electrical service grounding electrode system or, where provided, the lightning protection

grounding electrode system.

2411.2.1 Point of connection. The bonding jumper shall connect to a metallic pipe, pipe fitting or CSST fitting.

2411.2.2 Size and material of jumper. The bonding jumper shall be not smaller than 6 AWG copper wire or equivalent.

2411.2.3 Bonding jumper length. The length of the bonding jumper between the connection to a gas piping system and the connection to a grounding electrode system shall not exceed 75 feet (22 860 mm). Any additional grounding electrodes installed to meet this requirement shall be bonded to the electrical service grounding electrode system or, where provided, the lightning protection grounding electrode system.

2411.2.4 Bonding connections. Bonding connections shall be in accordance with NFPA 70.

2411.2.5 Connection devices. Devices used for making the bonding connections shall be listed for the application in accordance with UL 467.

2411.3 Arc-resistant CSST. This section applies to corrugated stainless steel tubing (CSST) that is listed with an arc-resistant jacket or coating system in accordance with ANSI LC1/CSA 6.26. The CSST shall be electrically continuous and bonded to an effective ground fault current path. Where any CSST component of a piping system does not have an arc-resistant jacket or coating system, the bonding requirements of Section 2411.2 shall apply. Arc-resistant-jacketed CSST shall be considered to be bonded where it is connected to an appliance that is connected to the appliance grounding conductor of the circuit that supplies that appliance.

SECTION 2412 **GENERAL**

2412.1 Scope. This section shall govern the design, installation, modification and maintenance of piping systems. The applicability of this code to piping systems extends from the point of delivery to the connections with the appliances and includes the design, materials, components, fabrication, assembly, installation, testing, inspection, operation and maintenance of such piping systems.

2412.1.1 Utility piping systems located within buildings. Utility service

piping located within buildings shall be installed in accordance with the structural safety and fire protection provisions of this code.

2412.2 Liquefied petroleum gas storage. The storage system for liquefied petroleum gas shall be designed and installed in accordance with the *fire code* and NFPA 58.

2412.3 Modifications to existing systems. In modifying or adding to existing piping systems, sizes shall be maintained in accordance with this chapter.

2412.4 Additional appliances. Where an additional appliance is to be served, the existing piping shall be checked to determine if it has adequate capacity for all appliances served. If inadequate, the existing system shall be enlarged as required or separate piping of adequate capacity shall be provided.

2412.5 Identification. For other than steel pipe, exposed piping shall be identified by a yellow label marked “Gas” in black letters. The marking shall be spaced at intervals not exceeding 5 feet (1524 mm). The marking shall not be required on pipe located in the same room as the appliance served.

2412.6 Interconnections. Where two or more meters are installed on the same premises but supply separate consumers, the piping systems shall not be interconnected on the outlet side of the meters.

2412.7 Piping meter identification. Piping from multiple meter installations shall be marked with an approved permanent identification by the installer so that the piping system supplied by each meter is readily identifiable.

2412.8 Minimum sizes. Pipe utilized for the installation, extension and alteration of any piping system shall be sized to supply the full number of outlets for the intended purpose and shall be sized in accordance with Section 2413.

2412.9 Identification. Each length of pipe and tubing and each pipe fitting, utilized in a fuel gas system, shall bear the identification of the manufacturer.

Exceptions:

1. Steel pipe sections that are 2 feet (610 mm) and less in length and are cut from longer sections of pipe.
2. Steel pipe fittings 2 inches and less in size.
3. Where identification is provided on the product packaging or crating.
4. Where other approved documentation is provided.

2412.10 Piping materials standards. *Piping, tubing and fittings shall either be tested or listed by an approved agency as complying with the applicable referenced standards, specifications and performance criteria of this code and shall be identified in accordance with Section 2412.9.*

SECTION 2413 **PIPE SIZING**

2413.1 General considerations. Piping systems shall be of such size and so installed as to provide a supply of gas sufficient to meet the maximum demand and supply gas to each appliance inlet at not less than the minimum supply pressure required by the appliance.

2413.2 Maximum gas demand. The volumetric flow rate of gas to be provided shall be the sum of the maximum input of the appliances served.

The total connected hourly load shall be used as the basis for pipe sizing, assuming that all appliances could be operating at full capacity simultaneously. Where a diversity of load can be established, pipe sizing shall be permitted to be based on such loads.

The volumetric flow rate of gas to be provided shall be adjusted for altitude where the installation is above 2,000 feet (610 m) in elevation.

2413.3 Sizing. Gas piping shall be sized in accordance with one of the following:

1. Pipe sizing tables or sizing equations in accordance with Section 2413.4 or 2413.5, as applicable.
2. The sizing tables included in a listed piping system's manufacturer's installation instructions.
3. Other approved engineering methods.

2413.4 Sizing tables and equations. This section applies to piping materials other than non-corrugated stainless steel tubing. Where Tables 2413.4(1) through 2413.4(21) are used to size piping or tubing, the pipe length shall be determined in accordance with Section 2413.4.1, 2413.4.2 or 2413.4.3.

Where Equations 24-3 and 24-4 are used to size piping or tubing, the pipe or tubing shall have smooth inside walls and the pipe length shall be determined in accordance with Section 2413.4.1, 2413.4.2 or 2413.4.3.

1. Low-pressure gas equation [Less than 1¹/₂ pounds per square inch (psi) (10.3 kPa)]:

$$D = \frac{Q^{0.381}}{19.17 \left(\frac{\Delta H}{C_r \times L} \right)^{0.206}} \quad \text{(Equation 24-3)}$$

2. High-pressure gas equation [1^{1/2} pounds per square inch and above]:

$$D = \frac{Q^{0.381}}{18.93 \left[\frac{(P_1^2 - P_2^2) \times Y}{C_r \times L} \right]^{0.206}} \quad \text{(Equation 24-4)}$$

Where:

- D = Inside diameter of pipe, inches (mm).
 Q = Input rate appliance(s), cubic feet per hour at 60°F (16°C) and 30-inch mercury column.
 P_1 = Upstream pressure, psia ($P_1 + 14.7$).
 P_2 = Downstream pressure, psia ($P_2 + 14.7$).
 L = Equivalent length of pipe, feet.
 ΔH = Pressure drop, inch water column (27.7-inch water column = 1 psi).

TABLE 2413.4
C_r AND Y VALUES FOR NATURAL GAS AND
UNDILUTED PROPANE AT STANDARD CONDITIONS

GAS	EQUATION FACTORS	
	C_r	Y
Natural gas	0.6094	0.9992
Undiluted propane	1.2462	0.9910

For SI: 1 cubic foot = 0.028 m³, 1 foot = 305 mm, 1-inch water column = 0.249 kPa, 1 pound per square inch = 6.895 kPa, 1 British thermal unit per hour = 0.293 W.

2413.4.1 Longest length method. The pipe size of each section of gas piping shall be determined using the longest length of piping from the point of delivery to the most remote outlet and the load of the section.

2413.4.2 Branch length method. Pipe shall be sized as follows:

- Pipe size of each section of the longest pipe run from the point of delivery to the most remote outlet shall be determined using the longest run of piping and the load of the section.
- The pipe size of each section of branch piping not previously sized shall be determined using the length of piping from the point of delivery to the most remote outlet in each branch and the load of the section.

2413.4.3 Hybrid pressure. The pipe size for each section of higher pressure gas piping shall be determined using the longest length of piping from the point of delivery to the most remote line pressure regulator. The pipe size from the line pressure regulator to each outlet shall be determined using the length of piping from the regulator to the most remote outlet served by the regulator.

2413.5 Noncorrugated stainless steel tubing. Noncorrugated stainless steel tubing shall be sized in accordance with Equations 24-3 and 24-4 of Section 2413.4 in conjunction with Section 2413.4.1, 2413.4.2 or 2413.4.3.

2413.6 Allowable pressure drop. The design pressure loss in any piping system under maximum probable flow conditions, from the point of delivery to the inlet connection of the appliance, shall be such that the supply pressure at the appliance is greater than or equal to the minimum pressure required by the appliance.

2413.7 Maximum operating pressure. The maximum design operating pressure for piping systems located inside buildings shall not exceed 5 pounds per square inch gauge (psig) (34 kPa gauge) except where one or more of the following conditions are met:

1. The piping joints are welded or brazed.
2. The piping joints are flanged and pipe-to-flange connections are made by welding or brazing.
3. The piping is located in a ventilated chase or otherwise enclosed for protection against accidental gas accumulation.
4. The piping is a temporary installation for buildings under construction.

2413.7.1 Operation below -5°F (-21°C). LP-gas systems designed to operate below -5°F (-21°C) or with butane or a propane-butane mix shall be designed to either accommodate liquid LP-gas or prevent LP-gas vapor from condensing into a liquid.

TABLE 2413.4(1)
SCHEDULE 40 METALLIC PIPE

Gas	Natural
Inlet Pressure	Less than 2 psi
Pressure Drop	0.5 in. w.c.
Specific Gravity	0.60

PIPE SIZE (inches)														
Nominal	1/2	3/4	1	1 1/4	1 1/2	2	2 1/2	3	4	5	6	8	10	12
Actual ID	0.622	0.824	1.049	1.380	1.610	2.067	2.469	3.068	4.026	5.047	6.065	7.981	10.020	11.938
Length(ft)	Capacity in Cubic Feet of Gas per Hour													
10	172	360	678	1,390	2,090	4,020	6,400	11,300	23,100	41,800	67,600	139,000	252,000	399,000
20	118	247	466	957	1,430	2,760	4,400	7,780	15,900	28,700	46,500	95,500	173,000	275,000
30	95	199	374	768	1,150	2,220	3,530	6,250	12,700	23,000	37,300	76,700	139,000	220,000
40	81	170	320	657	985	1,900	3,020	5,350	10,900	19,700	31,900	65,600	119,000	189,000
50	72	151	284	583	873	1,680	2,680	4,740	9,660	17,500	28,300	58,200	106,000	167,000
60	65	137	257	528	791	1,520	2,430	4,290	8,760	15,800	25,600	52,700	95,700	152,000
70	60	126	237	486	728	1,400	2,230	3,950	8,050	14,600	23,600	48,500	88,100	139,000
80	56	117	220	452	677	1,300	2,080	3,670	7,490	13,600	22,000	45,100	81,900	130,000
90	52	110	207	424	635	1,220	1,950	3,450	7,030	12,700	20,600	42,300	76,900	122,000
100	50	104	195	400	600	1,160	1,840	3,260	6,640	12,000	19,500	40,000	72,600	115,000
125	44	92	173	355	532	1,020	1,630	2,890	5,890	10,600	17,200	35,400	64,300	102,000
150	40	83	157	322	482	928	1,480	2,610	5,330	9,650	15,600	32,100	58,300	92,300
175	37	77	144	296	443	854	1,360	2,410	4,910	8,880	14,400	29,500	53,600	84,900
200	34	71	134	275	412	794	1,270	2,240	4,560	8,260	13,400	27,500	49,900	79,000
250	30	63	119	244	366	704	1,120	1,980	4,050	7,320	11,900	24,300	44,200	70,000
300	27	57	108	221	331	638	1,020	1,800	3,670	6,630	10,700	22,100	40,100	63,400
350	25	53	99	203	305	587	935	1,650	3,370	6,100	9,880	20,300	36,900	58,400
400	23	49	92	189	283	546	870	1,540	3,140	5,680	9,190	18,900	34,300	54,300
450	22	46	86	177	266	512	816	1,440	2,940	5,330	8,620	17,700	32,200	50,900
500	21	43	82	168	251	484	771	1,360	2,780	5,030	8,150	16,700	30,400	48,100
550	20	41	78	159	239	459	732	1,290	2,640	4,780	7,740	15,900	28,900	45,700
600	19	39	74	152	228	438	699	1,240	2,520	4,560	7,380	15,200	27,500	43,600
650	18	38	71	145	218	420	669	1,180	2,410	4,360	7,070	14,500	26,400	41,800
700	17	36	68	140	209	403	643	1,140	2,320	4,190	6,790	14,000	25,300	40,100
750	17	35	66	135	202	389	619	1,090	2,230	4,040	6,540	13,400	24,400	38,600
800	16	34	63	130	195	375	598	1,060	2,160	3,900	6,320	13,000	23,600	37,300
850	16	33	61	126	189	363	579	1,020	2,090	3,780	6,110	12,600	22,800	36,100
900	15	32	59	122	183	352	561	992	2,020	3,660	5,930	12,200	22,100	35,000
950	15	31	58	118	178	342	545	963	1,960	3,550	5,760	11,800	21,500	34,000
1,000	14	30	56	115	173	333	530	937	1,910	3,460	5,600	11,500	20,900	33,100
1,100	14	28	53	109	164	316	503	890	1,810	3,280	5,320	10,900	19,800	31,400
1,200	13	27	51	104	156	301	480	849	1,730	3,130	5,070	10,400	18,900	30,000
1,300	12	26	49	100	150	289	460	813	1,660	3,000	4,860	9,980	18,100	28,700
1,400	12	25	47	96	144	277	442	781	1,590	2,880	4,670	9,590	17,400	27,600
1,500	11	24	45	93	139	267	426	752	1,530	2,780	4,500	9,240	16,800	26,600
1,600	11	23	44	89	134	258	411	727	1,480	2,680	4,340	8,920	16,200	25,600
1,700	11	22	42	86	130	250	398	703	1,430	2,590	4,200	8,630	15,700	24,800
1,800	10	22	41	84	126	242	386	682	1,390	2,520	4,070	8,370	15,200	24,100
1,900	10	21	40	81	122	235	375	662	1,350	2,440	3,960	8,130	14,800	23,400
2,000	NA	20	39	79	119	229	364	644	1,310	2,380	3,850	7,910	14,400	22,700

For SI: 1 inch = 25.4 mm, 1 foot = 304.8 mm, 1 pound per square inch = 6.895 kPa, 1-inch water column = 0.2488 kPa.

1 British thermal unit per hour = 0.2931 W, 1 cubic foot per hour = 0.0283 m³/h, 1 degree = 0.01745 rad.

Notes:

1. NA means a flow of less than 10 cfh.
2. Table entries have been rounded to three significant digits.

TABLE 2413.4(2)
SCHEDULE 40 METALLIC PIPE

Gas	Natural
Inlet Pressure	2.0 psi
Pressure Drop	1.0 psi
Specific Gravity	0.60

PIPE SIZE (inches)									
Nominal	1/2	3/4	1	1 1/4	1 1/2	2	2 1/2	3	4
Actual ID	0.622	0.824	1.049	1.380	1.610	2.067	2.469	3.068	4.026
Length (ft)	Capacity in Cubic Feet of Gas per Hour								
10	1,510	3,040	5,560	11,400	17,100	32,900	52,500	92,800	189,000
20	1,070	2,150	3,930	8,070	12,100	23,300	37,100	65,600	134,000
30	869	1,760	3,210	6,590	9,880	19,000	30,300	53,600	109,000
40	753	1,520	2,780	5,710	8,550	16,500	26,300	46,400	94,700
50	673	1,360	2,490	5,110	7,650	14,700	23,500	41,500	84,700
60	615	1,240	2,270	4,660	6,980	13,500	21,400	37,900	77,300
70	569	1,150	2,100	4,320	6,470	12,500	19,900	35,100	71,600
80	532	1,080	1,970	4,040	6,050	11,700	18,600	32,800	67,000
90	502	1,010	1,850	3,810	5,700	11,000	17,500	30,900	63,100
100	462	934	1,710	3,510	5,260	10,100	16,100	28,500	58,200
125	414	836	1,530	3,140	4,700	9,060	14,400	25,500	52,100
150	372	751	1,370	2,820	4,220	8,130	13,000	22,900	46,700
175	344	695	1,270	2,601	3,910	7,530	12,000	21,200	43,300
200	318	642	1,170	2,410	3,610	6,960	11,100	19,600	40,000
250	279	583	1,040	2,140	3,210	6,180	9,850	17,400	35,500
300	253	528	945	1,940	2,910	5,600	8,920	15,800	32,200
350	232	486	869	1,790	2,670	5,150	8,210	14,500	29,600
400	216	452	809	1,660	2,490	4,790	7,640	13,500	27,500
450	203	424	759	1,560	2,330	4,500	7,170	12,700	25,800
500	192	401	717	1,470	2,210	4,250	6,770	12,000	24,400
550	182	381	681	1,400	2,090	4,030	6,430	11,400	23,200
600	174	363	650	1,330	2,000	3,850	6,130	10,800	22,100
650	166	348	622	1,280	1,910	3,680	5,870	10,400	21,200
700	160	334	598	1,230	1,840	3,540	5,640	9,970	20,300
750	154	322	576	1,180	1,770	3,410	5,440	9,610	19,600
800	149	311	556	1,140	1,710	3,290	5,250	9,280	18,900
850	144	301	538	1,100	1,650	3,190	5,080	8,980	18,300
900	139	292	522	1,070	1,600	3,090	4,930	8,710	17,800
950	135	283	507	1,040	1,560	3,000	4,780	8,460	17,200
1,000	132	275	493	1,010	1,520	2,920	4,650	8,220	16,800
1,100	125	262	468	960	1,440	2,770	4,420	7,810	15,900
1,200	119	250	446	917	1,370	2,640	4,220	7,450	15,200
1,300	114	239	427	878	1,320	2,530	4,040	7,140	14,600
1,400	110	230	411	843	1,260	2,430	3,880	6,860	14,000
1,500	106	221	396	812	1,220	2,340	3,740	6,600	13,500
1,600	102	214	382	784	1,180	2,260	3,610	6,380	13,000
1,700	99	207	370	759	1,140	2,190	3,490	6,170	12,600
1,800	96	200	358	736	1,100	2,120	3,390	5,980	12,200
1,900	93	195	348	715	1,070	2,060	3,290	5,810	11,900
2,000	91	189	339	695	1,040	2,010	3,200	5,650	11,500

For SI: 1 inch = 25.4 mm, 1 foot = 304.8 mm, 1 pound per square inch = 6.895 kPa, 1-inch water column = 0.2488 kPa.

1 British thermal unit per hour = 0.2931 W, 1 cubic foot per hour = 0.0283 m³/h, 1 degree = 0.01745 rad.

Note: Table entries have been rounded to three significant digits.

TABLE 2413.4(3)
SEMIRIGID COPPER TUBING

Gas	Natural
Inlet Pressure	Less than 2 psi
Pressure Drop	0.5 in. w.c.
Specific Gravity	0.60

Nominal	TUBE SIZE (inches)									
	K & L	1/4	3/8	1/2	5/8	3/4	1	1 1/4	1 1/2	2
	ACR	3/8	1/2	5/8	3/4	7/8	1 1/8	1 3/8	1 7/8	2 1/8
Outside		0.375	0.500	0.625	0.750	0.875	1.125	1.375	1.625	2.125
Inside		0.305	0.402	0.527	0.652	0.745	0.995	1.245	1.481	1.959
Length (ft)	Capacity in Cubic Feet of Gas per Hour									
10	27	55	111	195	276	590	1,060	1,680	3,490	
20	18	38	77	134	190	406	730	1,150	2,400	
30	15	30	61	107	152	326	586	925	1,930	
40	13	26	53	92	131	279	502	791	1,650	
50	11	23	47	82	116	247	445	701	1,460	
60	10	21	42	74	105	224	403	635	1,320	
70	NA	19	39	68	96	206	371	585	1,220	
80	NA	18	36	63	90	192	345	544	1,130	
90	NA	17	34	59	84	180	324	510	1,060	
100	NA	16	32	56	79	170	306	482	1,000	
125	NA	14	28	50	70	151	271	427	890	
150	NA	13	26	45	64	136	245	387	806	
175	NA	12	24	41	59	125	226	356	742	
200	NA	11	22	39	55	117	210	331	690	
250	NA	NA	20	34	48	103	186	294	612	
300	NA	NA	18	31	44	94	169	266	554	
350	NA	NA	16	28	40	86	155	245	510	
400	NA	NA	15	26	38	80	144	228	474	
450	NA	NA	14	25	35	75	135	214	445	
500	NA	NA	13	23	33	71	128	202	420	
550	NA	NA	13	22	32	68	122	192	399	
600	NA	NA	12	21	30	64	116	183	381	
650	NA	NA	12	20	29	62	111	175	365	
700	NA	NA	11	20	28	59	107	168	350	
750	NA	NA	11	19	27	57	103	162	338	
800	NA	NA	10	18	26	55	99	156	326	
850	NA	NA	10	18	25	53	96	151	315	
900	NA	NA	NA	17	24	52	93	147	306	
950	NA	NA	NA	17	24	50	90	143	297	
1,000	NA	NA	NA	16	23	49	88	139	289	
1,100	NA	NA	NA	15	22	46	84	132	274	
1,200	NA	NA	NA	15	21	44	80	126	262	
1,300	NA	NA	NA	14	20	42	76	120	251	
1,400	NA	NA	NA	13	19	41	73	116	241	
1,500	NA	NA	NA	13	18	39	71	111	232	
1,600	NA	NA	NA	13	18	38	68	108	224	
1,700	NA	NA	NA	12	17	37	66	104	217	
1,800	NA	NA	NA	12	17	36	64	101	210	
1,900	NA	NA	NA	11	16	35	62	98	204	
2,000	NA	NA	NA	11	16	34	60	95	199	

For SI: 1 inch = 25.4 mm, 1 foot = 304.8 mm, 1 pound per square inch = 6.895 kPa, 1-inch water column = 0.2488 kPa, 1 British thermal unit per hour = 0.2931 W, 1 cubic foot per hour = 0.0283 m³/h, 1 degree = 0.01745 rad.

Notes:

1. Table capacities are based on Type K copper tubing inside diameter (shown), which has the smallest inside diameter of the copper tubing products.
2. NA means a flow of less than 10 cfh.
3. Table entries have been rounded to three significant digits.

TABLE 2413.4(4)
SEMIRIGID COPPER TUBING

Gas	Natural
Inlet Pressure	2.0 psi
Pressure Drop	1.0 psi
Specific Gravity	0.60

TUBE SIZE (inches)										
Nominal	K & L	1/4	3/8	1/2	5/8	3/4	1	1 1/4	1 1/2	2
	ACR	3/8	1/2	5/8	3/4	7/8	1 1/8	1 3/8	1 7/8	2 1/8
Outside		<u>0.375</u>	<u>0.500</u>	<u>0.625</u>	<u>0.750</u>	<u>0.875</u>	<u>1.125</u>	<u>1.375</u>	<u>1.625</u>	<u>2.125</u>
Inside		<u>0.305</u>	<u>0.402</u>	<u>0.527</u>	<u>0.652</u>	<u>0.745</u>	<u>0.995</u>	<u>1.245</u>	<u>1.481</u>	<u>1.959</u>
Length (ft)	Capacity in Cubic Feet of Gas per Hour									
10	245	506	1,030	1,800	2,550	5,450	9,820	15,500	32,200	
20	169	348	708	1,240	1,760	3,750	6,750	10,600	22,200	
30	135	279	568	993	1,410	3,010	5,420	8,550	17,800	
40	116	239	486	850	1,210	2,580	4,640	7,310	15,200	
50	103	212	431	754	1,070	2,280	4,110	6,480	13,500	
60	93	192	391	683	969	2,070	3,730	5,870	12,200	
70	86	177	359	628	891	1,900	3,430	5,400	11,300	
80	80	164	334	584	829	1,770	3,190	5,030	10,500	
90	75	154	314	548	778	1,660	2,990	4,720	9,820	
100	71	146	296	518	735	1,570	2,830	4,450	9,280	
125	63	129	263	459	651	1,390	2,500	3,950	8,220	
150	57	117	238	416	590	1,260	2,270	3,580	7,450	
175	52	108	219	383	543	1,160	2,090	3,290	6,850	
200	49	100	204	356	505	1,080	1,940	3,060	6,380	
250	43	89	181	315	448	956	1,720	2,710	5,650	
300	39	80	164	286	406	866	1,560	2,460	5,120	
350	36	74	150	263	373	797	1,430	2,260	4,710	
400	33	69	140	245	347	741	1,330	2,100	4,380	
450	31	65	131	230	326	696	1,250	1,970	4,110	
500	30	61	124	217	308	657	1,180	1,870	3,880	
550	28	58	118	206	292	624	1,120	1,770	3,690	
600	27	55	112	196	279	595	1,070	1,690	3,520	
650	26	53	108	188	267	570	1,030	1,620	3,370	
700	25	51	103	181	256	548	986	1,550	3,240	
750	24	49	100	174	247	528	950	1,500	3,120	
800	23	47	96	168	239	510	917	1,450	3,010	
850	22	46	93	163	231	493	888	1,400	2,920	
900	22	44	90	158	224	478	861	1,360	2,830	
950	21	43	88	153	217	464	836	1,320	2,740	
1,000	20	42	85	149	211	452	813	1,280	2,670	
1,100	19	40	81	142	201	429	772	1,220	2,540	
1,200	18	38	77	135	192	409	737	1,160	2,420	
1,300	18	36	74	129	183	392	705	1,110	2,320	
1,400	17	35	71	124	176	376	678	1,070	2,230	
1,500	16	34	68	120	170	363	653	1,030	2,140	
1,600	16	33	66	116	164	350	630	994	2,070	
1,700	15	31	64	112	159	339	610	962	2,000	
1,800	15	30	62	108	154	329	592	933	1,940	
1,900	14	30	60	105	149	319	575	906	1,890	
2,000	14	29	59	102	145	310	559	881	1,830	

For SI: 1 inch = 25.4 mm, 1 foot = 304.8 mm, 1 pound per square inch = 6.895 kPa, 1-inch water column = 0.2488 kPa, 1 British thermal unit per hour = 0.2931 W, 1 cubic foot per hour = 0.0283 m³/h, 1 degree = 0.01745 rad.

Notes:

1. Table capacities are based on Type K copper tubing inside diameter (shown), which has the smallest inside diameter of the copper tubing products.
2. Table entries have been rounded to three significant digits.

TABLE 2413.4(5)
CORRUGATED STAINLESS STEEL TUBING (CSST)

Gas	Natural
Inlet Pressure	Less than 2 psi
Pressure Drop	0.5 in. w.c.
Specific Gravity	0.60

TUBE SIZE (EHD)														
Flow Designation	13	15	18	19	23	25	30	31	37	39	46	48	60	62
Length (ft)	Capacity in Cubic Feet of Gas per Hour													
<u>5</u>	<u>46</u>	<u>63</u>	<u>115</u>	<u>134</u>	<u>225</u>	<u>270</u>	<u>471</u>	<u>546</u>	<u>895</u>	<u>1,037</u>	<u>1,790</u>	<u>2,070</u>	<u>3,660</u>	<u>4,140</u>
<u>10</u>	<u>32</u>	<u>44</u>	<u>82</u>	<u>95</u>	<u>161</u>	<u>192</u>	<u>330</u>	<u>383</u>	<u>639</u>	<u>746</u>	<u>1,260</u>	<u>1,470</u>	<u>2,600</u>	<u>2,930</u>
<u>15</u>	<u>25</u>	<u>35</u>	<u>66</u>	<u>77</u>	<u>132</u>	<u>157</u>	<u>267</u>	<u>310</u>	<u>524</u>	<u>615</u>	<u>1,030</u>	<u>1,200</u>	<u>2,140</u>	<u>2,400</u>
<u>20</u>	<u>22</u>	<u>31</u>	<u>58</u>	<u>67</u>	<u>116</u>	<u>137</u>	<u>231</u>	<u>269</u>	<u>456</u>	<u>536</u>	<u>888</u>	<u>1,050</u>	<u>1,850</u>	<u>2,080</u>
<u>25</u>	<u>19</u>	<u>27</u>	<u>52</u>	<u>60</u>	<u>104</u>	<u>122</u>	<u>206</u>	<u>240</u>	<u>409</u>	<u>482</u>	<u>793</u>	<u>936</u>	<u>1,660</u>	<u>1,860</u>
<u>30</u>	<u>18</u>	<u>25</u>	<u>47</u>	<u>55</u>	<u>96</u>	<u>112</u>	<u>188</u>	<u>218</u>	<u>374</u>	<u>442</u>	<u>723</u>	<u>856</u>	<u>1,520</u>	<u>1,700</u>
<u>40</u>	<u>15</u>	<u>21</u>	<u>41</u>	<u>47</u>	<u>83</u>	<u>97</u>	<u>162</u>	<u>188</u>	<u>325</u>	<u>386</u>	<u>625</u>	<u>742</u>	<u>1,320</u>	<u>1,470</u>
<u>50</u>	<u>13</u>	<u>19</u>	<u>37</u>	<u>42</u>	<u>75</u>	<u>87</u>	<u>144</u>	<u>168</u>	<u>292</u>	<u>347</u>	<u>559</u>	<u>665</u>	<u>1,180</u>	<u>1,320</u>
<u>60</u>	<u>12</u>	<u>17</u>	<u>34</u>	<u>38</u>	<u>68</u>	<u>80</u>	<u>131</u>	<u>153</u>	<u>267</u>	<u>318</u>	<u>509</u>	<u>608</u>	<u>1,080</u>	<u>1,200</u>
<u>70</u>	<u>11</u>	<u>16</u>	<u>31</u>	<u>36</u>	<u>63</u>	<u>74</u>	<u>121</u>	<u>141</u>	<u>248</u>	<u>295</u>	<u>471</u>	<u>563</u>	<u>1,000</u>	<u>1,110</u>
<u>80</u>	<u>10</u>	<u>15</u>	<u>29</u>	<u>33</u>	<u>60</u>	<u>69</u>	<u>113</u>	<u>132</u>	<u>232</u>	<u>277</u>	<u>440</u>	<u>527</u>	<u>940</u>	<u>1,040</u>
<u>90</u>	<u>10</u>	<u>14</u>	<u>28</u>	<u>32</u>	<u>57</u>	<u>65</u>	<u>107</u>	<u>125</u>	<u>219</u>	<u>262</u>	<u>415</u>	<u>498</u>	<u>887</u>	<u>983</u>
<u>100</u>	<u>9</u>	<u>13</u>	<u>26</u>	<u>30</u>	<u>54</u>	<u>62</u>	<u>101</u>	<u>118</u>	<u>208</u>	<u>249</u>	<u>393</u>	<u>472</u>	<u>843</u>	<u>933</u>
<u>150</u>	<u>7</u>	<u>10</u>	<u>20</u>	<u>23</u>	<u>42</u>	<u>48</u>	<u>78</u>	<u>91</u>	<u>171</u>	<u>205</u>	<u>320</u>	<u>387</u>	<u>691</u>	<u>762</u>
<u>200</u>	<u>6</u>	<u>9</u>	<u>18</u>	<u>21</u>	<u>38</u>	<u>44</u>	<u>71</u>	<u>82</u>	<u>148</u>	<u>179</u>	<u>277</u>	<u>336</u>	<u>600</u>	<u>661</u>
<u>250</u>	<u>5</u>	<u>8</u>	<u>16</u>	<u>19</u>	<u>34</u>	<u>39</u>	<u>63</u>	<u>74</u>	<u>133</u>	<u>161</u>	<u>247</u>	<u>301</u>	<u>538</u>	<u>591</u>
<u>300</u>	<u>5</u>	<u>7</u>	<u>15</u>	<u>17</u>	<u>32</u>	<u>36</u>	<u>57</u>	<u>67</u>	<u>95</u>	<u>148</u>	<u>226</u>	<u>275</u>	<u>492</u>	<u>540</u>

For SI: 1 inch = 25.4 mm, 1 foot = 304.8 mm, 1 pound per square inch = 6.895 kPa, 1-inch water column = 0.2488 kPa, 1 British thermal unit per hour = 0.2931 W, 1 cubic foot per hour = 0.0283 m³/h, 1 degree = 0.01745 rad.

Notes:

1. Table includes losses for four 90-degree bends and two end fittings. Tubing runs with larger numbers of bends or fittings shall be increased by an equivalent length of tubing to the following equation: $L = 1.3n$, where L is additional length (feet) of tubing and n is the number of additional fittings or bends.
2. EHD—Equivalent Hydraulic Diameter, which is a measure of the relative hydraulic efficiency between different tubing sizes. The greater the value of EHD, the greater the gas capacity of the tubing.
3. Table entries have been rounded to three significant digits.

TABLE 2413.4(6)
CORRUGATED STAINLESS STEEL TUBING (CSST)

Gas	Natural
Inlet Pressure	2.0 psi
Pressure Drop	1.0 psi
Specific Gravity	0.60

TUBE SIZE (EHD)														
Flow Designation	13	15	18	19	23	25	30	31	37	39	46	48	60	62
Length (ft)	Capacity in Cubic Feet of Gas Per Hour													
<u>10</u>	<u>270</u>	<u>353</u>	<u>587</u>	<u>700</u>	<u>1,100</u>	<u>1,370</u>	<u>2,590</u>	<u>2,990</u>	<u>4,510</u>	<u>5,037</u>	<u>9,600</u>	<u>10,700</u>	<u>18,600</u>	<u>21,600</u>
<u>25</u>	<u>166</u>	<u>220</u>	<u>374</u>	<u>444</u>	<u>709</u>	<u>876</u>	<u>1,620</u>	<u>1,870</u>	<u>2,890</u>	<u>3,258</u>	<u>6,040</u>	<u>6,780</u>	<u>11,900</u>	<u>13,700</u>
<u>30</u>	<u>151</u>	<u>200</u>	<u>342</u>	<u>405</u>	<u>650</u>	<u>801</u>	<u>1,480</u>	<u>1,700</u>	<u>2,640</u>	<u>2,987</u>	<u>5,510</u>	<u>6,200</u>	<u>10,900</u>	<u>12,500</u>
<u>40</u>	<u>129</u>	<u>172</u>	<u>297</u>	<u>351</u>	<u>567</u>	<u>696</u>	<u>1,270</u>	<u>1,470</u>	<u>2,300</u>	<u>2,605</u>	<u>4,760</u>	<u>5,380</u>	<u>9,440</u>	<u>10,900</u>
<u>50</u>	<u>115</u>	<u>154</u>	<u>266</u>	<u>314</u>	<u>510</u>	<u>624</u>	<u>1,140</u>	<u>1,310</u>	<u>2,060</u>	<u>2,343</u>	<u>4,260</u>	<u>4,820</u>	<u>8,470</u>	<u>9,720</u>
<u>75</u>	<u>93</u>	<u>124</u>	<u>218</u>	<u>257</u>	<u>420</u>	<u>512</u>	<u>922</u>	<u>1,070</u>	<u>1,690</u>	<u>1,932</u>	<u>3,470</u>	<u>3,950</u>	<u>6,940</u>	<u>7,940</u>
<u>80</u>	<u>89</u>	<u>120</u>	<u>211</u>	<u>249</u>	<u>407</u>	<u>496</u>	<u>892</u>	<u>1,030</u>	<u>1,640</u>	<u>1,874</u>	<u>3,360</u>	<u>3,820</u>	<u>6,730</u>	<u>7,690</u>
<u>100</u>	<u>79</u>	<u>107</u>	<u>189</u>	<u>222</u>	<u>366</u>	<u>445</u>	<u>795</u>	<u>920</u>	<u>1,470</u>	<u>1,685</u>	<u>3,000</u>	<u>3,420</u>	<u>6,030</u>	<u>6,880</u>
<u>150</u>	<u>64</u>	<u>87</u>	<u>155</u>	<u>182</u>	<u>302</u>	<u>364</u>	<u>646</u>	<u>748</u>	<u>1,210</u>	<u>1,389</u>	<u>2,440</u>	<u>2,800</u>	<u>4,940</u>	<u>5,620</u>
<u>200</u>	<u>55</u>	<u>75</u>	<u>135</u>	<u>157</u>	<u>263</u>	<u>317</u>	<u>557</u>	<u>645</u>	<u>1,050</u>	<u>1,212</u>	<u>2,110</u>	<u>2,430</u>	<u>4,290</u>	<u>4,870</u>
<u>250</u>	<u>49</u>	<u>67</u>	<u>121</u>	<u>141</u>	<u>236</u>	<u>284</u>	<u>497</u>	<u>576</u>	<u>941</u>	<u>1,090</u>	<u>1,890</u>	<u>2,180</u>	<u>3,850</u>	<u>4,360</u>
<u>300</u>	<u>44</u>	<u>61</u>	<u>110</u>	<u>129</u>	<u>217</u>	<u>260</u>	<u>453</u>	<u>525</u>	<u>862</u>	<u>999</u>	<u>1,720</u>	<u>1,990</u>	<u>3,520</u>	<u>3,980</u>
<u>400</u>	<u>38</u>	<u>52</u>	<u>96</u>	<u>111</u>	<u>189</u>	<u>225</u>	<u>390</u>	<u>453</u>	<u>749</u>	<u>871</u>	<u>1,490</u>	<u>1,730</u>	<u>3,060</u>	<u>3,450</u>
<u>500</u>	<u>34</u>	<u>46</u>	<u>86</u>	<u>100</u>	<u>170</u>	<u>202</u>	<u>348</u>	<u>404</u>	<u>552</u>	<u>783</u>	<u>1,330</u>	<u>1,550</u>	<u>2,740</u>	<u>3,090</u>

For SI: 1 inch = 25.4 mm, 1 foot = 304.8 mm, 1 pound per square inch = 6.895 kPa, 1-inch water column = 0.2488 kPa, 1 British thermal unit per hour = 0.2931 W, 1 cubic foot per hour = 0.0283 m³/h, 1 degree = 0.01745 rad.

Notes:

1. Table does not include effect of pressure drop across the line regulator. Where regulator loss exceeds 3/4 psi, DO NOT USE THIS TABLE. Consult with the regulator manufacturer for pressure drops and capacity factors. Pressure drops across a regulator can vary with flow rate.
2. CAUTION: Capacities shown in the table might exceed maximum capacity for a selected regulator. Consult with the regulator or tubing manufacturer for guidance.
3. Table includes losses for four 90-degree bends and two end fittings. Tubing runs with larger numbers of bends or fittings shall be increased by an equivalent length of tubing to the following equation: L = 1.3n where L is additional length (feet) of tubing and n is the number of additional fittings or bends.
4. EHD—Equivalent Hydraulic Diameter, which is a measure of the relative hydraulic efficiency between different tubing sizes. The greater the value of EHD, the greater the gas capacity of the tubing.
5. Table entries have been rounded to three significant digits.

TABLE 2413.4(7)
POLYETHYLENE PLASTIC PIPE

Gas	Natural
Inlet Pressure	Less than 2 psi
Pressure Drop	0.5 in. w.c.
Specific Gravity	0.60

PIPE SIZE (inches)						
Nominal OD	<u>1/2</u>	<u>3/4</u>	<u>1</u>	<u>1 1/4</u>	<u>1 1/2</u>	<u>2</u>
Designation	<u>SDR 9</u>	<u>SDR 11</u>	<u>SDR 11</u>	<u>SDR 10</u>	<u>SDR 11</u>	<u>SDR 11</u>
Actual ID	<u>0.660</u>	<u>0.860</u>	<u>1.077</u>	<u>1.328</u>	<u>1.554</u>	<u>1.943</u>
Length (ft)	Capacity in Cubic Feet of Gas per Hour					
<u>10</u>	<u>201</u>	<u>403</u>	<u>726</u>	<u>1,260</u>	<u>1,900</u>	<u>3,410</u>
<u>20</u>	<u>138</u>	<u>277</u>	<u>499</u>	<u>865</u>	<u>1,310</u>	<u>2,350</u>
<u>30</u>	<u>111</u>	<u>222</u>	<u>401</u>	<u>695</u>	<u>1,050</u>	<u>1,880</u>
<u>40</u>	<u>95</u>	<u>190</u>	<u>343</u>	<u>594</u>	<u>898</u>	<u>1,610</u>
<u>50</u>	<u>84</u>	<u>169</u>	<u>304</u>	<u>527</u>	<u>796</u>	<u>1,430</u>
<u>60</u>	<u>76</u>	<u>153</u>	<u>276</u>	<u>477</u>	<u>721</u>	<u>1,300</u>
<u>70</u>	<u>70</u>	<u>140</u>	<u>254</u>	<u>439</u>	<u>663</u>	<u>1,190</u>
<u>80</u>	<u>65</u>	<u>131</u>	<u>236</u>	<u>409</u>	<u>617</u>	<u>1,110</u>
<u>90</u>	<u>61</u>	<u>123</u>	<u>221</u>	<u>383</u>	<u>579</u>	<u>1,040</u>
<u>100</u>	<u>58</u>	<u>116</u>	<u>209</u>	<u>362</u>	<u>547</u>	<u>983</u>
<u>125</u>	<u>51</u>	<u>103</u>	<u>185</u>	<u>321</u>	<u>485</u>	<u>871</u>
<u>150</u>	<u>46</u>	<u>93</u>	<u>168</u>	<u>291</u>	<u>439</u>	<u>789</u>
<u>175</u>	<u>43</u>	<u>86</u>	<u>154</u>	<u>268</u>	<u>404</u>	<u>726</u>
<u>200</u>	<u>40</u>	<u>80</u>	<u>144</u>	<u>249</u>	<u>376</u>	<u>675</u>
<u>250</u>	<u>35</u>	<u>71</u>	<u>127</u>	<u>221</u>	<u>333</u>	<u>598</u>
<u>300</u>	<u>32</u>	<u>64</u>	<u>115</u>	<u>200</u>	<u>302</u>	<u>542</u>
<u>350</u>	<u>29</u>	<u>59</u>	<u>106</u>	<u>184</u>	<u>278</u>	<u>499</u>
<u>400</u>	<u>27</u>	<u>55</u>	<u>99</u>	<u>171</u>	<u>258</u>	<u>464</u>
<u>450</u>	<u>26</u>	<u>51</u>	<u>93</u>	<u>160</u>	<u>242</u>	<u>435</u>
<u>500</u>	<u>24</u>	<u>48</u>	<u>88</u>	<u>152</u>	<u>229</u>	<u>411</u>

For SI: 1 inch = 25.4 mm, 1 foot = 304.8 mm, 1 pound per square inch = 6.895 kPa, 1-inch water column = 0.2488 kPa,
 1 British thermal unit per hour = 0.2931 W, 1 cubic foot per hour = 0.0283 m³/h, 1 degree = 0.01745 rad.

Note: Table entries have been rounded to three significant digits.

TABLE 2413.4(8)
POLYETHYLENE PLASTIC PIPE

Gas	Natural
Inlet Pressure	2.0 psi
Pressure Drop	1.0 psi
Specific Gravity	0.60

PIPE SIZE (inches)						
Nominal OD	1/2	3/4	1	1 1/4	1 1/2	2
Designation	SDR 9	SDR 11	SDR 11	SDR 10	SDR 11	SDR 11
Actual ID	0.660	0.860	1.077	1.328	1.554	1.943
Length (ft)	Capacity in Cubic Feet of Gas per Hour					
10	1,860	3,720	6,710	11,600	17,600	31,600
20	1,280	2,560	4,610	7,990	12,100	21,700
30	1,030	2,050	3,710	6,420	9,690	17,400
40	878	1,760	3,170	5,490	8,300	14,900
50	778	1,560	2,810	4,870	7,350	13,200
60	705	1,410	2,550	4,410	6,660	12,000
70	649	1,300	2,340	4,060	6,130	11,000
80	603	1,210	2,180	3,780	5,700	10,200
90	566	1,130	2,050	3,540	5,350	9,610
100	535	1,070	1,930	3,350	5,050	9,080
125	474	949	1,710	2,970	4,480	8,050
150	429	860	1,550	2,690	4,060	7,290
175	395	791	1,430	2,470	3,730	6,710
200	368	736	1,330	2,300	3,470	6,240
250	326	652	1,180	2,040	3,080	5,530
300	295	591	1,070	1,850	2,790	5,010
350	272	544	981	1,700	2,570	4,610
400	253	506	913	1,580	2,390	4,290
450	237	475	856	1,480	2,240	4,020
500	224	448	809	1,400	2,120	3,800
550	213	426	768	1,330	2,010	3,610
600	203	406	733	1,270	1,920	3,440
650	194	389	702	1,220	1,840	3,300
700	187	374	674	1,170	1,760	3,170
750	180	360	649	1,130	1,700	3,050
800	174	348	627	1,090	1,640	2,950
850	168	336	607	1,050	1,590	2,850
900	163	326	588	1,020	1,540	2,770
950	158	317	572	990	1,500	2,690
1,000	154	308	556	963	1,450	2,610
1,100	146	293	528	915	1,380	2,480
1,200	139	279	504	873	1,320	2,370
1,300	134	267	482	836	1,260	2,270
1,400	128	257	463	803	1,210	2,180
1,500	124	247	446	773	1,170	2,100
1,600	119	239	431	747	1,130	2,030
1,700	115	231	417	723	1,090	1,960
1,800	112	224	404	701	1,060	1,900
1,900	109	218	393	680	1,030	1,850
2,000	106	212	382	662	1,000	1,800

For SI: 1 inch = 25.4 mm, 1 foot = 304.8 mm, 1 pound per square inch = 6.895 kPa, 1-inch water column = 0.2488 kPa, 1 British thermal unit per hour = 0.2931 W, 1 cubic foot per hour = 0.0283 m³/h, 1 degree = 0.01745 rad.
Note: Table entries have been rounded to three significant digits.

TABLE 2413.4(9)
SCHEDULE 40 METALLIC PIPE

Gas	Undiluted Propane
Inlet Pressure	10.0 psi
Pressure Drop	1.0 psi
Specific Gravity	1.50

INTENDED USE		Pipe sizing between first stage (high-pressure regulator) and second stage (low-pressure regulator).							
		PIPE SIZE (inches)							
Nominal	1/2	3/4	1	1 1/4	1 1/2	2	2 1/2	3	4
Actual ID	0.622	0.824	1.049	1.380	1.610	2.067	2.469	3.068	4.026
Length (ft)	Capacity in Thousands of Btu per Hour								
10	3,320	6,950	13,100	26,900	40,300	77,600	124,000	219,000	446,000
20	2,280	4,780	9,000	18,500	27,700	53,300	85,000	150,000	306,000
30	1,830	3,840	7,220	14,800	22,200	42,800	68,200	121,000	246,000
40	1,570	3,280	6,180	12,700	19,000	36,600	58,400	103,000	211,000
50	1,390	2,910	5,480	11,300	16,900	32,500	51,700	91,500	187,000
60	1,260	2,640	4,970	10,200	15,300	29,400	46,900	82,900	169,000
70	1,160	2,430	4,570	9,380	14,100	27,100	43,100	76,300	156,000
80	1,080	2,260	4,250	8,730	13,100	25,200	40,100	70,900	145,000
90	1,010	2,120	3,990	8,190	12,300	23,600	37,700	66,600	136,000
100	956	2,000	3,770	7,730	11,600	22,300	35,600	62,900	128,000
125	848	1,770	3,340	6,850	10,300	19,800	31,500	55,700	114,000
150	768	1,610	3,020	6,210	9,300	17,900	28,600	50,500	103,000
175	706	1,480	2,780	5,710	8,560	16,500	26,300	46,500	94,700
200	657	1,370	2,590	5,320	7,960	15,300	24,400	43,200	88,100
250	582	1,220	2,290	4,710	7,060	13,600	21,700	38,300	78,100
300	528	1,100	2,080	4,270	6,400	12,300	19,600	34,700	70,800
350	486	1,020	1,910	3,930	5,880	11,300	18,100	31,900	65,100
400	452	945	1,780	3,650	5,470	10,500	16,800	29,700	60,600
450	424	886	1,670	3,430	5,140	9,890	15,800	27,900	56,800
500	400	837	1,580	3,240	4,850	9,340	14,900	26,300	53,700
550	380	795	1,500	3,070	4,610	8,870	14,100	25,000	51,000
600	363	759	1,430	2,930	4,400	8,460	13,500	23,900	48,600
650	347	726	1,370	2,810	4,210	8,110	12,900	22,800	46,600
700	334	698	1,310	2,700	4,040	7,790	12,400	21,900	44,800
750	321	672	1,270	2,600	3,900	7,500	12,000	21,100	43,100
800	310	649	1,220	2,510	3,760	7,240	11,500	20,400	41,600
850	300	628	1,180	2,430	3,640	7,010	11,200	19,800	40,300
900	291	609	1,150	2,360	3,530	6,800	10,800	19,200	39,100
950	283	592	1,110	2,290	3,430	6,600	10,500	18,600	37,900
1,000	275	575	1,080	2,230	3,330	6,420	10,200	18,100	36,900
1,100	261	546	1,030	2,110	3,170	6,100	9,720	17,200	35,000
1,200	249	521	982	2,020	3,020	5,820	9,270	16,400	33,400
1,300	239	499	940	1,930	2,890	5,570	8,880	15,700	32,000
1,400	229	480	903	1,850	2,780	5,350	8,530	15,100	30,800
1,500	221	462	870	1,790	2,680	5,160	8,220	14,500	29,600
1,600	213	446	840	1,730	2,590	4,980	7,940	14,000	28,600
1,700	206	432	813	1,670	2,500	4,820	7,680	13,600	27,700
1,800	200	419	789	1,620	2,430	4,670	7,450	13,200	26,900
1,900	194	407	766	1,570	2,360	4,540	7,230	12,800	26,100
2,000	189	395	745	1,530	2,290	4,410	7,030	12,400	25,400

For SI: 1 inch = 25.4 mm, 1 foot = 304.8 mm, 1 pound per square inch = 6.895 kPa, 1-inch water column = 0.2488 kPa, 1 British thermal unit per hour = 0.2931 W, 1 cubic foot per hour = 0.0283 m³/h, 1 degree = 0.01745 rad.
Note: Table entries have been rounded to three significant digits.

TABLE 2413.4(10)
SCHEDULE 40 METALLIC PIPE

Gas	Undiluted Propane
Inlet Pressure	10.0 psi
Pressure Drop	3.0 psi
Specific Gravity	1.50

INTENDED USE		Pipe sizing between first stage (high-pressure regulator) and second stage (low-pressure regulator).							
PIPE SIZE (inches)									
Nominal	1/2	3/4	1	1 1/4	1 1/2	2	2 1/2	3	4
Actual ID	0.622	0.824	1.049	1.380	1.610	2.067	2.469	3.068	4.026
Length (ft)	Capacity in Thousands of Btu per Hour								
10	5.890	12.300	23.200	47.600	71.300	137.000	219.000	387.000	789.000
20	4.050	8.460	15.900	32.700	49.000	94.400	150.000	266.000	543.000
30	3.250	6.790	12.800	26.300	39.400	75.800	121.000	214.000	436.000
40	2.780	5.810	11.000	22.500	33.700	64.900	103.000	183.000	373.000
50	2.460	5.150	9.710	19.900	29.900	57.500	91.600	162.000	330.000
60	2.230	4.670	8.790	18.100	27.100	52.100	83.000	147.000	299.000
70	2.050	4.300	8.090	16.600	24.900	47.900	76.400	135.000	275.000
80	1.910	4.000	7.530	15.500	23.200	44.600	71.100	126.000	256.000
90	1.790	3.750	7.060	14.500	21.700	41.800	66.700	118.000	240.000
100	1.690	3.540	6.670	13.700	20.500	39.500	63.000	111.000	227.000
125	1.500	3.140	5.910	12.100	18.200	35.000	55.800	98.700	201.000
150	1.360	2.840	5.360	11.000	16.500	31.700	50.600	89.400	182.000
175	1.250	2.620	4.930	10.100	15.200	29.200	46.500	82.300	167.800
200	1.160	2.430	4.580	9.410	14.100	27.200	43.300	76.500	156.100
250	1.030	2.160	4.060	8.340	12.500	24.100	38.400	67.800	138.400
300	935	1.950	3.680	7.560	11.300	21.800	34.800	61.500	125.400
350	860	1.800	3.390	6.950	10.400	20.100	32.000	56.500	115.300
400	800	1.670	3.150	6.470	9.690	18.700	29.800	52.600	107.300
450	751	1.570	2.960	6.070	9.090	17.500	27.900	49.400	100.700
500	709	1.480	2.790	5.730	8.590	16.500	26.400	46.600	95.100
550	673	1.410	2.650	5.450	8.160	15.700	25.000	44.300	90.300
600	642	1.340	2.530	5.200	7.780	15.000	23.900	42.200	86.200
650	615	1.290	2.420	4.980	7.450	14.400	22.900	40.500	82.500
700	591	1.240	2.330	4.780	7.160	13.800	22.000	38.900	79.300
750	569	1.190	2.240	4.600	6.900	13.300	21.200	37.400	76.400
800	550	1.150	2.170	4.450	6.660	12.800	20.500	36.200	73.700
850	532	1.110	2.100	4.300	6.450	12.400	19.800	35.000	71.400
900	516	1.080	2.030	4.170	6.250	12.000	19.200	33.900	69.200
950	501	1.050	1.970	4.050	6.070	11.700	18.600	32.900	67.200
1.000	487	1.020	1.920	3.940	5.900	11.400	18.100	32.000	65.400
1.100	463	968	1.820	3.740	5.610	10.800	17.200	30.400	62.100
1.200	442	923	1.740	3.570	5.350	10.300	16.400	29.000	59.200
1.300	423	884	1.670	3.420	5.120	9.870	15.700	27.800	56.700
1.400	406	849	1.600	3.280	4.920	9.480	15.100	26.700	54.500
1.500	391	818	1.540	3.160	4.740	9.130	14.600	25.700	52.500
1.600	378	790	1.490	3.060	4.580	8.820	14.100	24.800	50.700
1.700	366	765	1.440	2.960	4.430	8.530	13.600	24.000	49.000
1.800	355	741	1.400	2.870	4.300	8.270	13.200	23.300	47.600
1.900	344	720	1.360	2.780	4.170	8.040	12.800	22.600	46.200
2.000	335	700	1.320	2.710	4.060	7.820	12.500	22.000	44.900

For SI: 1 inch = 25.4 mm, 1 foot = 304.8 mm, 1 pound per square inch = 6.895 kPa, 1-inch water column = 0.2488 kPa, 1 British thermal unit per hour = 0.2931 W, 1 cubic foot per hour = 0.0283 m³/h, 1 degree = 0.01745 rad.

Note: Table entries have been rounded to three significant digits.

TABLE 2413.4(11)
SCHEDULE 40 METALLIC PIPE

Gas	Undiluted Propane
Inlet Pressure	2.0 psi
Pressure Drop	1.0 psi
Specific Gravity	1.50

INTENDED USE		Pipe sizing between 2 psig service and line pressure regulator.							
		PIPE SIZE (inches)							
Nominal	1/2	3/4	1	1 1/4	1 1/2	2	2 1/2	3	4
Actual ID	0.622	0.824	1.049	1.380	1.610	2.067	2.469	3.068	4.026
Length (ft)	Capacity in Thousands of Btu per Hour								
10	2,680	5,590	10,500	21,600	32,400	62,400	99,500	176,000	359,000
20	1,840	3,850	7,240	14,900	22,300	42,900	68,400	121,000	247,000
30	1,480	3,090	5,820	11,900	17,900	34,500	54,900	97,100	198,000
40	1,260	2,640	4,980	10,200	15,300	29,500	47,000	83,100	170,000
50	1,120	2,340	4,410	9,060	13,600	26,100	41,700	73,700	150,000
60	1,010	2,120	4,000	8,210	12,300	23,700	37,700	66,700	136,000
70	934	1,950	3,680	7,550	11,300	21,800	34,700	61,400	125,000
80	869	1,820	3,420	7,020	10,500	20,300	32,300	57,100	116,000
90	815	1,700	3,210	6,590	9,880	19,000	30,300	53,600	109,000
100	770	1,610	3,030	6,230	9,330	18,000	28,600	50,600	103,000
125	682	1,430	2,690	5,520	8,270	15,900	25,400	44,900	91,500
150	618	1,290	2,440	5,000	7,490	14,400	23,000	40,700	82,900
175	569	1,190	2,240	4,600	6,890	13,300	21,200	37,400	76,300
200	529	1,110	2,080	4,280	6,410	12,300	19,700	34,800	71,000
250	469	981	1,850	3,790	5,680	10,900	17,400	30,800	62,900
300	425	889	1,670	3,440	5,150	9,920	15,800	27,900	57,000
350	391	817	1,540	3,160	4,740	9,120	14,500	25,700	52,400
400	364	760	1,430	2,940	4,410	8,490	13,500	23,900	48,800
450	341	714	1,340	2,760	4,130	7,960	12,700	22,400	45,800
500	322	674	1,270	2,610	3,910	7,520	12,000	21,200	43,200
550	306	640	1,210	2,480	3,710	7,140	11,400	20,100	41,100
600	292	611	1,150	2,360	3,540	6,820	10,900	19,200	39,200
650	280	585	1,100	2,260	3,390	6,530	10,400	18,400	37,500
700	269	562	1,060	2,170	3,260	6,270	9,990	17,700	36,000
750	259	541	1,020	2,090	3,140	6,040	9,630	17,000	34,700
800	250	523	985	2,020	3,030	5,830	9,300	16,400	33,500
850	242	506	953	1,960	2,930	5,640	9,000	15,900	32,400
900	235	490	924	1,900	2,840	5,470	8,720	15,400	31,500
950	228	476	897	1,840	2,760	5,310	8,470	15,000	30,500
1,000	222	463	873	1,790	2,680	5,170	8,240	14,600	29,700
1,100	210	440	829	1,700	2,550	4,910	7,830	13,800	28,200
1,200	201	420	791	1,620	2,430	4,680	7,470	13,200	26,900
1,300	192	402	757	1,550	2,330	4,490	7,150	12,600	25,800
1,400	185	386	727	1,490	2,240	4,310	6,870	12,100	24,800
1,500	178	372	701	1,440	2,160	4,150	6,620	11,700	23,900
1,600	172	359	677	1,390	2,080	4,010	6,390	11,300	23,000
1,700	166	348	655	1,340	2,010	3,880	6,180	10,900	22,300
1,800	161	337	635	1,300	1,950	3,760	6,000	10,600	21,600
1,900	157	327	617	1,270	1,900	3,650	5,820	10,300	21,000
2,000	152	318	600	1,230	1,840	3,550	5,660	10,000	20,400

For SI: 1 inch = 25.4 mm, 1 foot = 304.8 mm, 1 pound per square inch = 6.895 kPa, 1-inch water column = 0.2488 kPa, 1 British thermal unit per hour = 0.2931 W, 1 cubic foot per hour = 0.0283 m³/h, 1 degree = 0.01745 rad.

Note: Table entries have been rounded to three significant digits.

TABLE 2413.4(12)
SCHEDULE 40 METALLIC PIPE

Gas	Undiluted Propane
Inlet Pressure	11.0 in. w.c.
Pressure Drop	0.5 in. w.c.
Specific Gravity	1.50

<u>INTENDED USE</u>	<u>Pipe sizing between single- or second-stage (low pressure) regulator and appliance.</u>								
	<u>PIPE SIZE (inches)</u>								
<u>Nominal</u>	<u>1/2</u>	<u>3/4</u>	<u>1</u>	<u>1 1/4</u>	<u>1 1/2</u>	<u>2</u>	<u>2 1/2</u>	<u>3</u>	<u>4</u>
<u>Actual ID</u>	<u>0.622</u>	<u>0.824</u>	<u>1.049</u>	<u>1.380</u>	<u>1.610</u>	<u>2.067</u>	<u>2.469</u>	<u>3.068</u>	<u>4.026</u>
<u>Length (ft)</u>	<u>Capacity in Thousands of Btu per Hour</u>								
10	291	608	1,150	2,350	3,520	6,790	10,800	19,100	39,000
20	200	418	787	1,620	2,420	4,660	7,430	13,100	26,800
30	160	336	632	1,300	1,940	3,750	5,970	10,600	21,500
40	137	287	541	1,110	1,660	3,210	5,110	9,030	18,400
50	122	255	480	985	1,480	2,840	4,530	8,000	16,300
60	110	231	434	892	1,340	2,570	4,100	7,250	14,800
80	101	212	400	821	1,230	2,370	3,770	6,670	13,600
100	94	197	372	763	1,140	2,200	3,510	6,210	12,700
125	89	185	349	716	1,070	2,070	3,290	5,820	11,900
150	84	175	330	677	1,010	1,950	3,110	5,500	11,200
175	74	155	292	600	899	1,730	2,760	4,880	9,950
200	67	140	265	543	814	1,570	2,500	4,420	9,010
250	62	129	243	500	749	1,440	2,300	4,060	8,290
300	58	120	227	465	697	1,340	2,140	3,780	7,710
350	51	107	201	412	618	1,190	1,900	3,350	6,840
400	46	97	182	373	560	1,080	1,720	3,040	6,190
450	42	89	167	344	515	991	1,580	2,790	5,700
500	40	83	156	320	479	922	1,470	2,600	5,300
550	37	78	146	300	449	865	1,380	2,440	4,970
600	35	73	138	283	424	817	1,300	2,300	4,700
650	33	70	131	269	403	776	1,240	2,190	4,460
700	32	66	125	257	385	741	1,180	2,090	4,260
750	30	64	120	246	368	709	1,130	2,000	4,080
800	29	61	115	236	354	681	1,090	1,920	3,920
850	28	59	111	227	341	656	1,050	1,850	3,770
900	27	57	107	220	329	634	1,010	1,790	3,640
950	26	55	104	213	319	613	978	1,730	3,530
1,000	25	53	100	206	309	595	948	1,680	3,420
1,100	25	52	97	200	300	578	921	1,630	3,320
1,200	24	50	95	195	292	562	895	1,580	3,230
1,300	23	48	90	185	277	534	850	1,500	3,070
1,400	22	46	86	176	264	509	811	1,430	2,930
1,500	21	44	82	169	253	487	777	1,370	2,800
1,200	24	50	95	195	292	562	895	1,580	3,230
1,300	23	48	90	185	277	534	850	1,500	3,070
1,400	22	46	86	176	264	509	811	1,430	2,930
1,500	21	44	82	169	253	487	777	1,370	2,800
1,600	20	42	79	162	243	468	746	1,320	2,690
1,700	19	40	76	156	234	451	719	1,270	2,590
1,800	19	39	74	151	226	436	694	1,230	2,500
1,900	18	38	71	146	219	422	672	1,190	2,420
2,000	18	37	69	142	212	409	652	1,150	2,350

For SI: 1 inch = 25.4 mm, 1 foot = 304.8 mm, 1 pound per square inch = 6.895 kPa, 1-inch water column = 0.2488 kPa.

1 British thermal unit per hour = 0.2931 W, 1 cubic foot per hour = 0.0283 m³/h, 1 degree = 0.01745 rad.

Note: Table entries have been rounded to three significant digits.

TABLE 2413.4(13)
SEMIRIGID COPPER TUBING

Gas	Undiluted Propane
Inlet Pressure	10.0 psi
Pressure Drop	1.0 psi
Specific Gravity	1.50

INTENDED USE		Sizing between first stage (high-pressure regulator) and second stage (low-pressure regulator).								
		TUBE SIZE (inches)								
Nominal	K & L	1/4	3/8	1/2	5/8	3/4	1	1 1/4	1 1/2	2
	ACR	3/8	1/2	5/8	3/4	7/8	1 1/8	1 3/8	—	—
Outside		0.375	0.500	0.625	0.750	0.875	1.125	1.375	1.625	2.125
Inside		0.305	0.402	0.527	0.652	0.745	0.995	1.245	1.481	1.959
Length (ft)		Capacity in Thousands of Btu per Hour								
10	513	1,060	2,150	3,760	5,330	11,400	20,500	32,300	67,400	
20	352	727	1,480	2,580	3,670	7,830	14,100	22,200	46,300	
30	283	584	1,190	2,080	2,940	6,290	11,300	17,900	37,200	
40	242	500	1,020	1,780	2,520	5,380	9,690	15,300	31,800	
50	215	443	901	1,570	2,230	4,770	8,590	13,500	28,200	
60	194	401	816	1,430	2,020	4,320	7,780	12,300	25,600	
70	179	369	751	1,310	1,860	3,980	7,160	11,300	23,500	
80	166	343	699	1,220	1,730	3,700	6,660	10,500	21,900	
90	156	322	655	1,150	1,630	3,470	6,250	9,850	20,500	
100	147	304	619	1,080	1,540	3,280	5,900	9,310	19,400	
125	131	270	549	959	1,360	2,910	5,230	8,250	17,200	
150	118	244	497	869	1,230	2,630	4,740	7,470	15,600	
175	109	225	457	799	1,130	2,420	4,360	6,880	14,300	
200	101	209	426	744	1,060	2,250	4,060	6,400	13,300	
250	90	185	377	659	935	2,000	3,600	5,670	11,800	
300	81	168	342	597	847	1,810	3,260	5,140	10,700	
350	75	155	314	549	779	1,660	3,000	4,730	9,840	
400	70	144	292	511	725	1,550	2,790	4,400	9,160	
450	65	135	274	480	680	1,450	2,620	4,130	8,590	
500	62	127	259	453	643	1,370	2,470	3,900	8,120	
550	59	121	246	430	610	1,300	2,350	3,700	7,710	
600	56	115	235	410	582	1,240	2,240	3,530	7,350	
650	54	111	225	393	558	1,190	2,140	3,380	7,040	
700	51	106	216	378	536	1,140	2,060	3,250	6,770	
750	50	102	208	364	516	1,100	1,980	3,130	6,520	
800	48	99	201	351	498	1,060	1,920	3,020	6,290	
850	46	96	195	340	482	1,030	1,850	2,920	6,090	
900	45	93	189	330	468	1,000	1,800	2,840	5,910	
950	44	90	183	320	454	970	1,750	2,750	5,730	
1,000	42	88	178	311	442	944	1,700	2,680	5,580	
1,100	40	83	169	296	420	896	1,610	2,540	5,300	
1,200	38	79	161	282	400	855	1,540	2,430	5,050	
1,300	37	76	155	270	383	819	1,470	2,320	4,840	
1,400	35	73	148	260	368	787	1,420	2,230	4,650	
1,500	34	70	143	250	355	758	1,360	2,150	4,480	
1,600	33	68	138	241	343	732	1,320	2,080	4,330	
1,700	32	66	134	234	331	708	1,270	2,010	4,190	
1,800	31	64	130	227	321	687	1,240	1,950	4,060	
1,900	30	62	126	220	312	667	1,200	1,890	3,940	
2,000	29	60	122	214	304	648	1,170	1,840	3,830	

For SI: 1 inch = 25.4 mm, 1 foot = 304.8 mm, 1 pound per square inch = 6.895 kPa, 1-inch water column = 0.2488 kPa, 1 British thermal unit per hour = 0.2931 W, 1 cubic foot per hour = 0.0283 m³/h, 1 degree = 0.01745 rad.

Note:

1. Table capacities are based on Type K copper tubing inside diameter (shown), which has the smallest inside diameter of the copper tubing products.
2. Table entries have been rounded to three significant digits.

TABLE 2413.4(14)
SEMIRIGID COPPER TUBING

Gas	Undiluted Propane
Inlet Pressure	11.0 in. w.c.
Pressure Drop	0.5 in. w.c.
Specific Gravity	1.50

INTENDED USE		Sizing between single- or second-stage (low-pressure regulator) and appliance.								
		TUBE SIZE (inches)								
Nominal	K & L	1/4	3/8	1/2	5/8	3/4	1	1 1/4	1 1/2	2
	ACR	3/8	1/2	5/8	3/4	7/8	1 1/8	1 3/8	—	—
Outside		0.375	0.500	0.625	0.750	0.875	1.125	1.375	1.625	2.125
Inside		0.305	0.402	0.527	0.652	0.745	0.995	1.245	1.481	1.959
Length (ft)		Capacity in Thousands of Btu per Hour								
10	45	93	188	329	467	997	1,800	2,830	5,890	
20	31	64	129	226	321	685	1,230	1,950	4,050	
30	25	51	104	182	258	550	991	1,560	3,250	
40	21	44	89	155	220	471	848	1,340	2,780	
50	19	39	79	138	195	417	752	1,180	2,470	
60	17	35	71	125	177	378	681	1,070	2,240	
70	16	32	66	115	163	348	626	988	2,060	
80	15	30	61	107	152	324	583	919	1,910	
90	14	28	57	100	142	304	547	862	1,800	
100	13	27	54	95	134	287	517	814	1,700	
125	11	24	48	84	119	254	458	722	1,500	
150	10	21	44	76	108	230	415	654	1,360	
175	NA	20	40	70	99	212	382	602	1,250	
200	NA	18	37	65	92	197	355	560	1,170	
250	NA	16	33	58	82	175	315	496	1,030	
300	NA	15	30	52	74	158	285	449	936	
350	NA	14	28	48	68	146	262	414	861	
400	NA	13	26	45	63	136	244	385	801	
450	NA	12	24	42	60	127	229	361	752	
500	NA	11	23	40	56	120	216	341	710	
550	NA	11	22	38	53	114	205	324	674	
600	NA	10	21	36	51	109	196	309	643	
650	NA	NA	20	34	49	104	188	296	616	
700	NA	NA	19	33	47	100	180	284	592	
750	NA	NA	18	32	45	96	174	274	570	
800	NA	NA	18	31	44	93	168	264	551	
850	NA	NA	17	30	42	90	162	256	533	
900	NA	NA	17	29	41	87	157	248	517	
950	NA	NA	16	28	40	85	153	241	502	
1,000	NA	NA	16	27	39	83	149	234	488	
1,100	NA	NA	15	26	37	78	141	223	464	
1,200	NA	NA	14	25	35	75	135	212	442	
1,300	NA	NA	14	24	34	72	129	203	423	
1,400	NA	NA	13	23	32	69	124	195	407	
1,500	NA	NA	13	22	31	66	119	188	392	
1,600	NA	NA	12	21	30	64	115	182	378	
1,700	NA	NA	12	20	29	62	112	176	366	
1,800	NA	NA	11	20	28	60	108	170	355	
1,900	NA	NA	11	19	27	58	105	166	345	
2,000	NA	NA	11	19	27	57	102	161	335	

For SI: 1 inch = 25.4 mm, 1 foot = 304.8 mm, 1 pound per square inch = 6.895 kPa, 1-inch water column = 0.2488 kPa, 1 British thermal unit per hour = 0.2931 W, 1 cubic foot per hour = 0.0283 m³/h, 1 degree = 0.01745 rad.

Notes:

1. Table capacities are based on Type K copper tubing inside diameter (shown), which has the smallest inside diameter of the copper tubing products.
2. NA means a flow of less than 10,000 Btu/hr.
3. Table entries have been rounded to three significant digits.

TABLE 2413.4(15)
SEMIRIGID COPPER TUBING

Gas	Undiluted Propane
Inlet Pressure	2.0 psi
Pressure Drop	1.0 psi
Specific Gravity	1.50

INTENDED USE		Tube sizing between 2 psig service and line pressure regulator.								
		TUBE SIZE (inches)								
Nominal	K & L	1/4	3/8	1/2	5/8	3/4	1	1 1/4	1 1/2	2
	ACR	3/8	1/2	5/8	3/4	7/8	1 1/8	1 3/8	—	—
Outside		0.375	0.500	0.625	0.750	0.875	1.125	1.375	1.625	2.125
Inside		0.305	0.402	0.527	0.652	0.745	0.995	1.245	1.481	1.959
Length (ft)		Capacity in Thousands of Btu per Hour								
10	413	852	1,730	3,030	4,300	9,170	16,500	26,000	54,200	
20	284	585	1,190	2,080	2,950	6,310	11,400	17,900	37,300	
30	228	470	956	1,670	2,370	5,060	9,120	14,400	29,900	
40	195	402	818	1,430	2,030	4,330	7,800	12,300	25,600	
50	173	356	725	1,270	1,800	3,840	6,920	10,900	22,700	
60	157	323	657	1,150	1,630	3,480	6,270	9,880	20,600	
70	144	297	605	1,060	1,500	3,200	5,760	9,090	18,900	
80	134	276	562	983	1,390	2,980	5,360	8,450	17,600	
90	126	259	528	922	1,310	2,790	5,030	7,930	16,500	
100	119	245	498	871	1,240	2,640	4,750	7,490	15,600	
125	105	217	442	772	1,100	2,340	4,210	6,640	13,800	
150	95	197	400	700	992	2,120	3,820	6,020	12,500	
175	88	181	368	644	913	1,950	3,510	5,540	11,500	
200	82	168	343	599	849	1,810	3,270	5,150	10,700	
250	72	149	304	531	753	1,610	2,900	4,560	9,510	
300	66	135	275	481	682	1,460	2,620	4,140	8,610	
350	60	124	253	442	628	1,340	2,410	3,800	7,920	
400	56	116	235	411	584	1,250	2,250	3,540	7,370	
450	53	109	221	386	548	1,170	2,110	3,320	6,920	
500	50	103	209	365	517	1,110	1,990	3,140	6,530	
550	47	97	198	346	491	1,050	1,890	2,980	6,210	
600	45	93	189	330	469	1,000	1,800	2,840	5,920	
650	43	89	181	316	449	959	1,730	2,720	5,670	
700	41	86	174	304	431	921	1,660	2,620	5,450	
750	40	82	168	293	415	888	1,600	2,520	5,250	
800	39	80	162	283	401	857	1,540	2,430	5,070	
850	37	77	157	274	388	829	1,490	2,350	4,900	
900	36	75	152	265	376	804	1,450	2,280	4,750	
950	35	72	147	258	366	781	1,410	2,220	4,620	
1,000	34	71	143	251	356	760	1,370	2,160	4,490	
1,100	32	67	136	238	338	721	1,300	2,050	4,270	
1,200	31	64	130	227	322	688	1,240	1,950	4,070	
1,300	30	61	124	217	309	659	1,190	1,870	3,900	
1,400	28	59	120	209	296	633	1,140	1,800	3,740	
1,500	27	57	115	201	286	610	1,100	1,730	3,610	
1,600	26	55	111	194	276	589	1,060	1,670	3,480	
1,700	26	53	108	188	267	570	1,030	1,620	3,370	
1,800	25	51	104	182	259	553	1,000	1,570	3,270	
1,900	24	50	101	177	251	537	966	1,520	3,170	
2,000	23	48	99	172	244	522	940	1,480	3,090	

For SI: 1 inch = 25.4 mm, 1 foot = 304.8 mm, 1 pound per square inch = 6.895 kPa, 1-inch water column = 0.2488 kPa,
1 British thermal unit per hour = 0.2931 W, 1 cubic foot per hour = 0.0283 m³/h, 1 degree = 0.01745 rad.

Note:

1. Table capacities are based on Type K copper tubing inside diameter (shown), which has the smallest inside diameter of the copper tubing products.
2. Table entries have been rounded to three significant digits.

TABLE 2413.4(16)
CORRUGATED STAINLESS STEEL TUBING (CSST)

Gas	Undiluted Propane
Inlet Pressure	11.0 in. w.c.
Pressure Drop	0.5 in. w.c.
Specific Gravity	1.50

<u>INTENDED USE: SIZING BETWEEN SINGLE OR SECOND STAGE (Low Pressure) REGULATOR AND THE APPLIANCE SHUTOFF VALVE.</u>														
<u>TUBE SIZE (EHD)</u>														
<u>Flow Designation</u>	<u>13</u>	<u>15</u>	<u>18</u>	<u>19</u>	<u>23</u>	<u>25</u>	<u>30</u>	<u>31</u>	<u>37</u>	<u>39</u>	<u>46</u>	<u>48</u>	<u>60</u>	<u>62</u>
<u>Length (ft)</u>	<u>Capacity in Thousands of Btu per Hour</u>													
<u>5</u>	<u>72</u>	<u>99</u>	<u>181</u>	<u>211</u>	<u>355</u>	<u>426</u>	<u>744</u>	<u>863</u>	<u>1,420</u>	<u>1,638</u>	<u>2,830</u>	<u>3,270</u>	<u>5,780</u>	<u>6,550</u>
<u>10</u>	<u>50</u>	<u>69</u>	<u>129</u>	<u>150</u>	<u>254</u>	<u>303</u>	<u>521</u>	<u>605</u>	<u>971</u>	<u>1,179</u>	<u>1,990</u>	<u>2,320</u>	<u>4,110</u>	<u>4,640</u>
<u>15</u>	<u>39</u>	<u>55</u>	<u>104</u>	<u>121</u>	<u>208</u>	<u>248</u>	<u>422</u>	<u>490</u>	<u>775</u>	<u>972</u>	<u>1,620</u>	<u>1,900</u>	<u>3,370</u>	<u>3,790</u>
<u>20</u>	<u>34</u>	<u>49</u>	<u>91</u>	<u>106</u>	<u>183</u>	<u>216</u>	<u>365</u>	<u>425</u>	<u>661</u>	<u>847</u>	<u>1,400</u>	<u>1,650</u>	<u>2,930</u>	<u>3,290</u>
<u>25</u>	<u>30</u>	<u>42</u>	<u>82</u>	<u>94</u>	<u>164</u>	<u>192</u>	<u>325</u>	<u>379</u>	<u>583</u>	<u>762</u>	<u>1,250</u>	<u>1,480</u>	<u>2,630</u>	<u>2,940</u>
<u>30</u>	<u>28</u>	<u>39</u>	<u>74</u>	<u>87</u>	<u>151</u>	<u>177</u>	<u>297</u>	<u>344</u>	<u>528</u>	<u>698</u>	<u>1,140</u>	<u>1,350</u>	<u>2,400</u>	<u>2,680</u>
<u>40</u>	<u>23</u>	<u>33</u>	<u>64</u>	<u>74</u>	<u>131</u>	<u>153</u>	<u>256</u>	<u>297</u>	<u>449</u>	<u>610</u>	<u>988</u>	<u>1,170</u>	<u>2,090</u>	<u>2,330</u>
<u>50</u>	<u>20</u>	<u>30</u>	<u>58</u>	<u>66</u>	<u>118</u>	<u>137</u>	<u>227</u>	<u>265</u>	<u>397</u>	<u>548</u>	<u>884</u>	<u>1,050</u>	<u>1,870</u>	<u>2,080</u>
<u>60</u>	<u>19</u>	<u>26</u>	<u>53</u>	<u>60</u>	<u>107</u>	<u>126</u>	<u>207</u>	<u>241</u>	<u>359</u>	<u>502</u>	<u>805</u>	<u>961</u>	<u>1,710</u>	<u>1,900</u>
<u>70</u>	<u>17</u>	<u>25</u>	<u>49</u>	<u>57</u>	<u>99</u>	<u>117</u>	<u>191</u>	<u>222</u>	<u>330</u>	<u>466</u>	<u>745</u>	<u>890</u>	<u>1,590</u>	<u>1,760</u>
<u>80</u>	<u>15</u>	<u>23</u>	<u>45</u>	<u>52</u>	<u>94</u>	<u>109</u>	<u>178</u>	<u>208</u>	<u>307</u>	<u>438</u>	<u>696</u>	<u>833</u>	<u>1,490</u>	<u>1,650</u>
<u>90</u>	<u>15</u>	<u>22</u>	<u>44</u>	<u>50</u>	<u>90</u>	<u>102</u>	<u>169</u>	<u>197</u>	<u>286</u>	<u>414</u>	<u>656</u>	<u>787</u>	<u>1,400</u>	<u>1,550</u>
<u>100</u>	<u>14</u>	<u>20</u>	<u>41</u>	<u>47</u>	<u>85</u>	<u>98</u>	<u>159</u>	<u>186</u>	<u>270</u>	<u>393</u>	<u>621</u>	<u>746</u>	<u>1,330</u>	<u>1,480</u>
<u>150</u>	<u>11</u>	<u>15</u>	<u>31</u>	<u>36</u>	<u>66</u>	<u>75</u>	<u>123</u>	<u>143</u>	<u>217</u>	<u>324</u>	<u>506</u>	<u>611</u>	<u>1,090</u>	<u>1,210</u>
<u>200</u>	<u>9</u>	<u>14</u>	<u>28</u>	<u>33</u>	<u>60</u>	<u>69</u>	<u>112</u>	<u>129</u>	<u>183</u>	<u>283</u>	<u>438</u>	<u>531</u>	<u>948</u>	<u>1,050</u>
<u>250</u>	<u>8</u>	<u>12</u>	<u>25</u>	<u>30</u>	<u>53</u>	<u>61</u>	<u>99</u>	<u>117</u>	<u>163</u>	<u>254</u>	<u>390</u>	<u>476</u>	<u>850</u>	<u>934</u>
<u>300</u>	<u>8</u>	<u>11</u>	<u>23</u>	<u>26</u>	<u>50</u>	<u>57</u>	<u>90</u>	<u>107</u>	<u>147</u>	<u>234</u>	<u>357</u>	<u>434</u>	<u>777</u>	<u>854</u>

For SI: 1 inch = 25.4 mm, 1 foot = 304.8 mm, 1 pound per square inch = 6.895 kPa, 1-inch water column = 0.2488 kPa, 1 British thermal unit per hour = 0.2931 W, 1 cubic foot per hour = 0.0283 m³/h, 1 degree = 0.01745 rad.

Notes:

1. Table includes losses for four 90-degree bends and two end fittings. Tubing runs with larger numbers of bends or fittings shall be increased by an equivalent length of tubing to the following equation: $L = 1.3n$ where L is additional length (feet) of tubing and n is the number of additional fittings or bends.
2. EHD—Equivalent Hydraulic Diameter, which is a measure of the relative hydraulic efficiency between different tubing sizes. The greater the value of EHD, the greater the gas capacity of the tubing.
3. Table entries have been rounded to three significant digits.

TABLE 2413.4(17)
CORRUGATED STAINLESS STEEL TUBING (CSST)

Gas	Undiluted Propane
Inlet Pressure	2.0 psi
Pressure Drop	1.0 psi
Specific Gravity	1.50

<u>INTENDED USE: SIZING BETWEEN 2 PSI SERVICE AND THE LINE PRESSURE REGULATOR.</u>														
<u>TUBE SIZE (EHD)</u>														
<u>Flow Designation</u>	<u>13</u>	<u>15</u>	<u>18</u>	<u>19</u>	<u>23</u>	<u>25</u>	<u>30</u>	<u>31</u>	<u>37</u>	<u>39</u>	<u>46</u>	<u>48</u>	<u>60</u>	<u>62</u>
<u>Length (ft)</u>	<u>Capacity in Thousands of Btu per Hour</u>													
<u>10</u>	<u>426</u>	<u>558</u>	<u>927</u>	<u>1,110</u>	<u>1,740</u>	<u>2,170</u>	<u>4,100</u>	<u>4,720</u>	<u>7,130</u>	<u>7,958</u>	<u>15,200</u>	<u>16,800</u>	<u>29,400</u>	<u>34,200</u>
<u>25</u>	<u>262</u>	<u>347</u>	<u>591</u>	<u>701</u>	<u>1,120</u>	<u>1,380</u>	<u>2,560</u>	<u>2,950</u>	<u>4,560</u>	<u>5,147</u>	<u>9,550</u>	<u>10,700</u>	<u>18,800</u>	<u>21,700</u>
<u>30</u>	<u>238</u>	<u>316</u>	<u>540</u>	<u>640</u>	<u>1,030</u>	<u>1,270</u>	<u>2,330</u>	<u>2,690</u>	<u>4,180</u>	<u>4,719</u>	<u>8,710</u>	<u>9,790</u>	<u>17,200</u>	<u>19,800</u>
<u>40</u>	<u>203</u>	<u>271</u>	<u>469</u>	<u>554</u>	<u>896</u>	<u>1,100</u>	<u>2,010</u>	<u>2,320</u>	<u>3,630</u>	<u>4,116</u>	<u>7,530</u>	<u>8,500</u>	<u>14,900</u>	<u>17,200</u>
<u>50</u>	<u>181</u>	<u>243</u>	<u>420</u>	<u>496</u>	<u>806</u>	<u>986</u>	<u>1,790</u>	<u>2,070</u>	<u>3,260</u>	<u>3,702</u>	<u>6,730</u>	<u>7,610</u>	<u>13,400</u>	<u>15,400</u>
<u>75</u>	<u>147</u>	<u>196</u>	<u>344</u>	<u>406</u>	<u>663</u>	<u>809</u>	<u>1,460</u>	<u>1,690</u>	<u>2,680</u>	<u>3,053</u>	<u>5,480</u>	<u>6,230</u>	<u>11,000</u>	<u>12,600</u>
<u>80</u>	<u>140</u>	<u>189</u>	<u>333</u>	<u>393</u>	<u>643</u>	<u>768</u>	<u>1,410</u>	<u>1,630</u>	<u>2,590</u>	<u>2,961</u>	<u>5,300</u>	<u>6,040</u>	<u>10,600</u>	<u>12,200</u>
<u>100</u>	<u>124</u>	<u>169</u>	<u>298</u>	<u>350</u>	<u>578</u>	<u>703</u>	<u>1,260</u>	<u>1,450</u>	<u>2,330</u>	<u>2,662</u>	<u>4,740</u>	<u>5,410</u>	<u>9,530</u>	<u>10,900</u>
<u>150</u>	<u>101</u>	<u>137</u>	<u>245</u>	<u>287</u>	<u>477</u>	<u>575</u>	<u>1,020</u>	<u>1,180</u>	<u>1,910</u>	<u>2,195</u>	<u>3,860</u>	<u>4,430</u>	<u>7,810</u>	<u>8,890</u>
<u>200</u>	<u>86</u>	<u>118</u>	<u>213</u>	<u>248</u>	<u>415</u>	<u>501</u>	<u>880</u>	<u>1,020</u>	<u>1,660</u>	<u>1,915</u>	<u>3,340</u>	<u>3,840</u>	<u>6,780</u>	<u>7,710</u>
<u>250</u>	<u>77</u>	<u>105</u>	<u>191</u>	<u>222</u>	<u>373</u>	<u>448</u>	<u>785</u>	<u>910</u>	<u>1,490</u>	<u>1,722</u>	<u>2,980</u>	<u>3,440</u>	<u>6,080</u>	<u>6,900</u>
<u>300</u>	<u>69</u>	<u>96</u>	<u>173</u>	<u>203</u>	<u>343</u>	<u>411</u>	<u>716</u>	<u>829</u>	<u>1,360</u>	<u>1,578</u>	<u>2,720</u>	<u>3,150</u>	<u>5,560</u>	<u>6,300</u>
<u>400</u>	<u>60</u>	<u>82</u>	<u>151</u>	<u>175</u>	<u>298</u>	<u>355</u>	<u>616</u>	<u>716</u>	<u>1,160</u>	<u>1,376</u>	<u>2,350</u>	<u>2,730</u>	<u>4,830</u>	<u>5,460</u>
<u>500</u>	<u>53</u>	<u>72</u>	<u>135</u>	<u>158</u>	<u>268</u>	<u>319</u>	<u>550</u>	<u>638</u>	<u>1,030</u>	<u>1,237</u>	<u>2,100</u>	<u>2,450</u>	<u>4,330</u>	<u>4,880</u>

For SI: 1 inch = 25.4 mm, 1 foot = 304.8 mm, 1 pound per square inch = 6.895 kPa, 1-inch water column = 0.2488 kPa, 1 British thermal unit per hour = 0.2931 W, 1 cubic foot per hour = 0.0283 m³/h, 1 degree = 0.01745 rad.

Notes:

1. Table does not include effect of pressure drop across the line regulator. Where regulator loss exceeds 1/2 psi (based on 13 in. w.c. outlet pressure), DO NOT USE THIS TABLE. Consult with the regulator manufacturer for pressure drops and capacity factors. Pressure drops across a regulator can vary with flow rate.
2. CAUTION: Capacities shown in the table might exceed maximum capacity for a selected regulator. Consult with the regulator or tubing manufacturer for guidance.
3. Table includes losses for four 90-degree bends and two end fittings. Tubing runs with larger numbers of bends or fittings shall be increased by an equivalent length of tubing to the following equation: $L = 1.3n$ where L is additional length (feet) of tubing and n is the number of additional fittings or bends.
4. EHD—Equivalent Hydraulic Diameter, which is a measure of the relative hydraulic efficiency between different tubing sizes. The greater the value of EHD, the greater the gas capacity of the tubing.
5. Table entries have been rounded to three significant digits.

TABLE 2413.4(18)
CORRUGATED STAINLESS STEEL TUBING (CSST)

Gas	Undiluted Propane
Inlet Pressure	5.0 psi
Pressure Drop	3.5 psi
Specific Gravity	1.50

TUBE SIZE (EHD)														
Flow Designation	13	15	18	19	23	25	30	31	37	39	46	48	60	62
Length (ft)	Capacity in Thousands of Btu per Hour													
<u>10</u>	<u>826</u>	<u>1,070</u>	<u>1,710</u>	<u>2,060</u>	<u>3,150</u>	<u>4,000</u>	<u>7,830</u>	<u>8,950</u>	<u>13,100</u>	<u>14,441</u>	<u>28,600</u>	<u>31,200</u>	<u>54,400</u>	<u>63,800</u>
<u>25</u>	<u>509</u>	<u>664</u>	<u>1,090</u>	<u>1,310</u>	<u>2,040</u>	<u>2,550</u>	<u>4,860</u>	<u>5,600</u>	<u>8,400</u>	<u>9,339</u>	<u>18,000</u>	<u>19,900</u>	<u>34,700</u>	<u>40,400</u>
<u>30</u>	<u>461</u>	<u>603</u>	<u>999</u>	<u>1,190</u>	<u>1,870</u>	<u>2,340</u>	<u>4,430</u>	<u>5,100</u>	<u>7,680</u>	<u>8,564</u>	<u>16,400</u>	<u>18,200</u>	<u>31,700</u>	<u>36,900</u>
<u>40</u>	<u>396</u>	<u>520</u>	<u>867</u>	<u>1,030</u>	<u>1,630</u>	<u>2,030</u>	<u>3,820</u>	<u>4,400</u>	<u>6,680</u>	<u>7,469</u>	<u>14,200</u>	<u>15,800</u>	<u>27,600</u>	<u>32,000</u>
<u>50</u>	<u>352</u>	<u>463</u>	<u>777</u>	<u>926</u>	<u>1,460</u>	<u>1,820</u>	<u>3,410</u>	<u>3,930</u>	<u>5,990</u>	<u>6,717</u>	<u>12,700</u>	<u>14,100</u>	<u>24,700</u>	<u>28,600</u>
<u>75</u>	<u>284</u>	<u>376</u>	<u>637</u>	<u>757</u>	<u>1,210</u>	<u>1,490</u>	<u>2,770</u>	<u>3,190</u>	<u>4,920</u>	<u>5,539</u>	<u>10,300</u>	<u>11,600</u>	<u>20,300</u>	<u>23,400</u>
<u>80</u>	<u>275</u>	<u>363</u>	<u>618</u>	<u>731</u>	<u>1,170</u>	<u>1,450</u>	<u>2,680</u>	<u>3,090</u>	<u>4,770</u>	<u>5,372</u>	<u>9,990</u>	<u>11,200</u>	<u>19,600</u>	<u>22,700</u>
<u>100</u>	<u>243</u>	<u>324</u>	<u>553</u>	<u>656</u>	<u>1,050</u>	<u>1,300</u>	<u>2,390</u>	<u>2,760</u>	<u>4,280</u>	<u>4,830</u>	<u>8,930</u>	<u>10,000</u>	<u>17,600</u>	<u>20,300</u>
<u>150</u>	<u>196</u>	<u>262</u>	<u>453</u>	<u>535</u>	<u>866</u>	<u>1,060</u>	<u>1,940</u>	<u>2,240</u>	<u>3,510</u>	<u>3,983</u>	<u>7,270</u>	<u>8,210</u>	<u>14,400</u>	<u>16,600</u>
<u>200</u>	<u>169</u>	<u>226</u>	<u>393</u>	<u>464</u>	<u>755</u>	<u>923</u>	<u>1,680</u>	<u>1,930</u>	<u>3,050</u>	<u>3,474</u>	<u>6,290</u>	<u>7,130</u>	<u>12,500</u>	<u>14,400</u>
<u>250</u>	<u>150</u>	<u>202</u>	<u>352</u>	<u>415</u>	<u>679</u>	<u>828</u>	<u>1,490</u>	<u>1,730</u>	<u>2,740</u>	<u>3,124</u>	<u>5,620</u>	<u>6,390</u>	<u>11,200</u>	<u>12,900</u>
<u>300</u>	<u>136</u>	<u>183</u>	<u>322</u>	<u>379</u>	<u>622</u>	<u>757</u>	<u>1,360</u>	<u>1,570</u>	<u>2,510</u>	<u>2,865</u>	<u>5,120</u>	<u>5,840</u>	<u>10,300</u>	<u>11,700</u>
<u>400</u>	<u>117</u>	<u>158</u>	<u>279</u>	<u>328</u>	<u>542</u>	<u>657</u>	<u>1,170</u>	<u>1,360</u>	<u>2,180</u>	<u>2,498</u>	<u>4,430</u>	<u>5,070</u>	<u>8,920</u>	<u>10,200</u>
<u>500</u>	<u>104</u>	<u>140</u>	<u>251</u>	<u>294</u>	<u>488</u>	<u>589</u>	<u>1,050</u>	<u>1,210</u>	<u>1,950</u>	<u>2,247</u>	<u>3,960</u>	<u>4,540</u>	<u>8,000</u>	<u>9,110</u>

For SI: 1 inch = 25.4 mm, 1 foot = 304.8 mm, 1 pound per square inch = 6.895 kPa, 1-inch water column = 0.2488 kPa, 1 British thermal unit per hour = 0.2931 W, 1 cubic foot per hour = 0.0283 m³/h, 1 degree = 0.01745 rad.

Notes:

1. Table does not include effect of pressure drop across line regulator. Where regulator loss exceeds 1 psi, DO NOT USE THIS TABLE. Consult with the regulator manufacturer for pressure drops and capacity factors. Pressure drop across regulator can vary with the flow rate.
2. CAUTION: Capacities shown in the table might exceed maximum capacity of selected regulator. Consult with the tubing manufacturer for guidance.
3. Table includes losses for four 90-degree bends and two end fittings. Tubing runs with larger numbers of bends or fittings shall be increased by an equivalent length of tubing to the following equation: $L = 1.3n$ where L is additional length (feet) of tubing and n is the number of additional fittings or bends.
4. EHD—Equivalent Hydraulic Diameter, which is a measure of the relative hydraulic efficiency between different tubing sizes. The greater the value of EHD, the greater the gas capacity of the tubing.
5. Table entries have been rounded to three significant digits.

TABLE 2413.4(19)
POLYETHYLENE PLASTIC PIPE

Gas	Undiluted Propane
Inlet Pressure	11.0 in. w.c.
Pressure Drop	0.5 in. w.c.
Specific Gravity	1.50

INTENDED USE	PE pipe sizing between integral 2-stage regulator at tank or second stage (low-pressure regulator) and					
	PIPE SIZE (inches)					
Nominal OD	<u>1/2</u>	<u>3/4</u>	<u>1</u>	<u>1 1/4</u>	<u>1 1/2</u>	<u>2</u>
Designation	<u>SDR 9</u>	<u>SDR 11</u>	<u>SDR 11</u>	<u>SDR 10</u>	<u>SDR 11</u>	<u>SDR 11</u>
Actual ID	<u>0.660</u>	<u>0.860</u>	<u>1.077</u>	<u>1.328</u>	<u>1.554</u>	<u>1.943</u>
Length (ft)	Capacity in Thousands of Btu per Hour					
<u>10</u>	<u>340</u>	<u>680</u>	<u>1,230</u>	<u>2,130</u>	<u>3,210</u>	<u>5,770</u>
<u>20</u>	<u>233</u>	<u>468</u>	<u>844</u>	<u>1,460</u>	<u>2,210</u>	<u>3,970</u>
<u>30</u>	<u>187</u>	<u>375</u>	<u>677</u>	<u>1,170</u>	<u>1,770</u>	<u>3,180</u>
<u>40</u>	<u>160</u>	<u>321</u>	<u>580</u>	<u>1,000</u>	<u>1,520</u>	<u>2,730</u>
<u>50</u>	<u>142</u>	<u>285</u>	<u>514</u>	<u>890</u>	<u>1,340</u>	<u>2,420</u>
<u>60</u>	<u>129</u>	<u>258</u>	<u>466</u>	<u>807</u>	<u>1,220</u>	<u>2,190</u>
<u>70</u>	<u>119</u>	<u>237</u>	<u>428</u>	<u>742</u>	<u>1,120</u>	<u>2,010</u>
<u>80</u>	<u>110</u>	<u>221</u>	<u>398</u>	<u>690</u>	<u>1,040</u>	<u>1,870</u>
<u>90</u>	<u>103</u>	<u>207</u>	<u>374</u>	<u>648</u>	<u>978</u>	<u>1,760</u>
<u>100</u>	<u>98</u>	<u>196</u>	<u>353</u>	<u>612</u>	<u>924</u>	<u>1,660</u>
<u>125</u>	<u>87</u>	<u>173</u>	<u>313</u>	<u>542</u>	<u>819</u>	<u>1,470</u>
<u>150</u>	<u>78</u>	<u>157</u>	<u>284</u>	<u>491</u>	<u>742</u>	<u>1,330</u>
<u>175</u>	<u>72</u>	<u>145</u>	<u>261</u>	<u>452</u>	<u>683</u>	<u>1,230</u>
<u>200</u>	<u>67</u>	<u>135</u>	<u>243</u>	<u>420</u>	<u>635</u>	<u>1,140</u>
<u>250</u>	<u>60</u>	<u>119</u>	<u>215</u>	<u>373</u>	<u>563</u>	<u>1,010</u>
<u>300</u>	<u>54</u>	<u>108</u>	<u>195</u>	<u>338</u>	<u>510</u>	<u>916</u>
<u>350</u>	<u>50</u>	<u>99</u>	<u>179</u>	<u>311</u>	<u>469</u>	<u>843</u>
<u>400</u>	<u>46</u>	<u>92</u>	<u>167</u>	<u>289</u>	<u>436</u>	<u>784</u>
<u>450</u>	<u>43</u>	<u>87</u>	<u>157</u>	<u>271</u>	<u>409</u>	<u>736</u>
<u>500</u>	<u>41</u>	<u>82</u>	<u>148</u>	<u>256</u>	<u>387</u>	<u>695</u>

For SI: 1 inch = 25.4 mm, 1 foot = 304.8 mm, 1 pound per square inch = 6.895 kPa, 1-inch water column = 0.2488 kPa, 1 British thermal unit per hour = 0.2931 W, 1 cubic foot per hour = 0.0283 m³/h, 1 degree = 0.01745 rad.
Note: Table entries have been rounded to three significant digits.

TABLE 2413.4(20)
POLYETHYLENE PLASTIC PIPE

Gas	Undiluted Propane
Inlet Pressure	2.0 psi
Pressure Drop	1.0 psi
Specific Gravity	1.50

INTENDED USE	PE pipe sizing between 2 psig service regulator and line pressure regulator.					
	PIPE SIZE (inches)					
Nominal OD	<u>1/2</u>	<u>3/4</u>	<u>1</u>	<u>1 1/4</u>	<u>1 1/2</u>	<u>2</u>
Designation	<u>SDR 9</u>	<u>SDR 11</u>	<u>SDR 11</u>	<u>SDR 10</u>	<u>SDR 11</u>	<u>SDR 11</u>
Actual ID	<u>0.660</u>	<u>0.860</u>	<u>1.077</u>	<u>1.328</u>	<u>1.554</u>	<u>1.943</u>
Length (ft)	Capacity in Thousands of Btu per Hour					
<u>10</u>	<u>3,130</u>	<u>6,260</u>	<u>11,300</u>	<u>19,600</u>	<u>29,500</u>	<u>53,100</u>
<u>20</u>	<u>2,150</u>	<u>4,300</u>	<u>7,760</u>	<u>13,400</u>	<u>20,300</u>	<u>36,500</u>
<u>30</u>	<u>1,730</u>	<u>3,450</u>	<u>6,230</u>	<u>10,800</u>	<u>16,300</u>	<u>29,300</u>
<u>40</u>	<u>1,480</u>	<u>2,960</u>	<u>5,330</u>	<u>9,240</u>	<u>14,000</u>	<u>25,100</u>
<u>50</u>	<u>1,310</u>	<u>2,620</u>	<u>4,730</u>	<u>8,190</u>	<u>12,400</u>	<u>22,200</u>
<u>60</u>	<u>1,190</u>	<u>2,370</u>	<u>4,280</u>	<u>7,420</u>	<u>11,200</u>	<u>20,100</u>
<u>70</u>	<u>1,090</u>	<u>2,180</u>	<u>3,940</u>	<u>6,830</u>	<u>10,300</u>	<u>18,500</u>
<u>80</u>	<u>1,010</u>	<u>2,030</u>	<u>3,670</u>	<u>6,350</u>	<u>9,590</u>	<u>17,200</u>
<u>90</u>	<u>952</u>	<u>1,910</u>	<u>3,440</u>	<u>5,960</u>	<u>9,000</u>	<u>16,200</u>
<u>100</u>	<u>899</u>	<u>1,800</u>	<u>3,250</u>	<u>5,630</u>	<u>8,500</u>	<u>15,300</u>
<u>125</u>	<u>797</u>	<u>1,600</u>	<u>2,880</u>	<u>4,990</u>	<u>7,530</u>	<u>13,500</u>
<u>150</u>	<u>722</u>	<u>1,450</u>	<u>2,610</u>	<u>4,520</u>	<u>6,830</u>	<u>12,300</u>
<u>175</u>	<u>664</u>	<u>1,330</u>	<u>2,400</u>	<u>4,160</u>	<u>6,280</u>	<u>11,300</u>
<u>200</u>	<u>618</u>	<u>1,240</u>	<u>2,230</u>	<u>3,870</u>	<u>5,840</u>	<u>10,500</u>
<u>250</u>	<u>548</u>	<u>1,100</u>	<u>1,980</u>	<u>3,430</u>	<u>5,180</u>	<u>9,300</u>
<u>300</u>	<u>496</u>	<u>994</u>	<u>1,790</u>	<u>3,110</u>	<u>4,690</u>	<u>8,430</u>
<u>350</u>	<u>457</u>	<u>914</u>	<u>1,650</u>	<u>2,860</u>	<u>4,320</u>	<u>7,760</u>
<u>400</u>	<u>425</u>	<u>851</u>	<u>1,530</u>	<u>2,660</u>	<u>4,020</u>	<u>7,220</u>
<u>450</u>	<u>399</u>	<u>798</u>	<u>1,440</u>	<u>2,500</u>	<u>3,770</u>	<u>6,770</u>
<u>500</u>	<u>377</u>	<u>754</u>	<u>1,360</u>	<u>2,360</u>	<u>3,560</u>	<u>6,390</u>
<u>550</u>	<u>358</u>	<u>716</u>	<u>1,290</u>	<u>2,240</u>	<u>3,380</u>	<u>6,070</u>
<u>600</u>	<u>341</u>	<u>683</u>	<u>1,230</u>	<u>2,140</u>	<u>3,220</u>	<u>5,790</u>
<u>650</u>	<u>327</u>	<u>654</u>	<u>1,180</u>	<u>2,040</u>	<u>3,090</u>	<u>5,550</u>
<u>700</u>	<u>314</u>	<u>628</u>	<u>1,130</u>	<u>1,960</u>	<u>2,970</u>	<u>5,330</u>
<u>750</u>	<u>302</u>	<u>605</u>	<u>1,090</u>	<u>1,890</u>	<u>2,860</u>	<u>5,140</u>
<u>800</u>	<u>292</u>	<u>585</u>	<u>1,050</u>	<u>1,830</u>	<u>2,760</u>	<u>4,960</u>
<u>850</u>	<u>283</u>	<u>566</u>	<u>1,020</u>	<u>1,770</u>	<u>2,670</u>	<u>4,800</u>
<u>900</u>	<u>274</u>	<u>549</u>	<u>990</u>	<u>1,710</u>	<u>2,590</u>	<u>4,650</u>
<u>950</u>	<u>266</u>	<u>533</u>	<u>961</u>	<u>1,670</u>	<u>2,520</u>	<u>4,520</u>

<u>1,000</u>	<u>259</u>	<u>518</u>	<u>935</u>	<u>1,620</u>	<u>2,450</u>	<u>4,400</u>
<u>1,100</u>	<u>246</u>	<u>492</u>	<u>888</u>	<u>1,540</u>	<u>2,320</u>	<u>4,170</u>
<u>1,200</u>	<u>234</u>	<u>470</u>	<u>847</u>	<u>1,470</u>	<u>2,220</u>	<u>3,980</u>
<u>1,300</u>	<u>225</u>	<u>450</u>	<u>811</u>	<u>1,410</u>	<u>2,120</u>	<u>3,810</u>
<u>1,400</u>	<u>216</u>	<u>432</u>	<u>779</u>	<u>1,350</u>	<u>2,040</u>	<u>3,660</u>
<u>1,500</u>	<u>208</u>	<u>416</u>	<u>751</u>	<u>1,300</u>	<u>1,960</u>	<u>3,530</u>
<u>1,600</u>	<u>201</u>	<u>402</u>	<u>725</u>	<u>1,260</u>	<u>1,900</u>	<u>3,410</u>
<u>1,700</u>	<u>194</u>	<u>389</u>	<u>702</u>	<u>1,220</u>	<u>1,840</u>	<u>3,300</u>
<u>1,800</u>	<u>188</u>	<u>377</u>	<u>680</u>	<u>1,180</u>	<u>1,780</u>	<u>3,200</u>
<u>1,900</u>	<u>183</u>	<u>366</u>	<u>661</u>	<u>1,140</u>	<u>1,730</u>	<u>3,110</u>
<u>2,000</u>	<u>178</u>	<u>356</u>	<u>643</u>	<u>1,110</u>	<u>1,680</u>	<u>3,020</u>

For SI: 1 inch = 25.4 mm, 1 foot = 304.8 mm, 1 pound per square inch = 6.895 kPa, 1-inch water column = 0.2488 kPa,
 1 British thermal unit per hour = 0.2931 W, 1 cubic foot per hour = 0.0283 m³/h, 1 degree = 0.01745 rad.

Note: Table entries have been rounded to three significant digits.

TABLE 2413.4(21)
POLYETHYLENE PLASTIC TUBING

Gas	Undiluted Propane
Inlet Pressure	11.0 in. w.c.
Pressure Drop	0.5 in. w.c.
Specific Gravity	1.50

INTENDED USE: PE PIPE SIZING BETWEEN INTEGRAL 2-STAGE REGULATOR AT TANK OR SECOND STAGE (low-		
Plastic Tubing Size (CTS) (inch)		
Nominal OD	1/2	1
Designation	SDR 7	SDR 11
Actual ID	0.445	0.927
Length (ft)	Capacity in Cubic Feet of Gas per Hour	
10	121	828
20	83	569
30	67	457
40	57	391
50	51	347
60	46	314
70	42	289
80	39	269
90	37	252
100	35	238
125	31	211
150	28	191
175	26	176
200	24	164
225	22	154
250	21	145
275	20	138
300	19	132
350	18	121
400	16	113
450	15	106
500	15	100

For SI: 1 inch = 25.4 mm, 1 foot = 304.8 mm, 1 pound per square inch = 6.895 kPa, 1-inch water column = 0.2488 kPa,
 1 British thermal unit per hour = 0.2931 W, 1 cubic foot per hour = 0.0283 m³/h, 1 degree = 0.01745 rad.

Note: Table entries have been rounded to three significant digits.

SECTION 2414
PIPING MATERIALS

2414.1 General. Materials used for piping systems shall comply with the requirements of this chapter or shall be approved.

2414.2 Used materials. Pipe, fittings, valves or other materials shall not be used again unless they are free from foreign materials and have been ascertained to be adequate for the service intended.

2414.3 Other materials. Material not covered by the standards specifications listed herein shall be investigated and tested to determine that it is safe and suitable for the proposed service, and, in addition, shall be recommended for that service by the manufacturer and shall be approved by the *building* official.

2414.4 Metallic pipe. Metallic pipe shall comply with Sections 2414.4.1 and 2414.4.2.

2414.4.1 Cast iron. Cast-iron pipe shall not be used.

2414.4.2 Steel. Steel, stainless steel and wrought-iron pipe shall not be lighter than Schedule 10 and shall comply with the dimensional standards of ASME B36.10, 10M and one of the following standards:

1. ASTM A53/A53M.
2. ASTM A106.
3. ASTM A312.

2414.5 Metallic tubing. Tubing shall not be used with gases corrosive to the tubing material.

2414.5.1 Steel tubing. Steel tubing shall comply with ASTM A254.

2414.5.2 Stainless steel. Stainless steel tubing shall comply with ASTM A268 or ASTM A269.

2414.5.3 Copper or copper-alloy tubing. Copper tubing shall comply with Standard Type K or L of ASTM B88 or ASTM B280.

Copper and copper-alloy tubing shall not be used if the gas contains more than an average of 0.3 grains of hydro- gen sulfide per 100 standard cubic feet of gas (0.7 milligrams per 100 liters).

2414.5.4 Corrugated stainless steel tubing. Corrugated stainless steel tubing shall be listed in accordance with ANSI LC1/CSA 6.26.

2414.6 Plastic pipe, tubing and fittings. Polyethylene plastic pipe, tubing and fittings used to supply fuel gas shall conform to ASTM D2513. Such pipe shall be marked "Gas" and "ASTM D2513."

Polyamide pipe, tubing and fittings shall be identified and conform to ASTM F2945. Such pipe shall be marked "Gas" and "ASTM F2945."

Polyvinyl chloride (PVC) and chlorinated polyvinyl chloride (CPVC) plastic pipe, tubing and fittings shall not be used to supply fuel gas.

2414.6.1 Anodeless risers. Plastic pipe, tubing and anodeless risers shall comply with the following:

1. Factory-assembled anodeless risers shall be recommended by the manufacturer for the gas used and shall be leak tested by the manufacturer in accordance with written procedures.
2. Service head adapters and field-assembled anodeless risers incorporating service head adapters shall be recommended by the manufacturer for the gas used, and shall be designed and certified to meet the requirements of Category I of ASTM D2513, and U.S. Department of Transportation, Code of Federal Regulations, Title 49, Part 192.281(e). The manufacturer shall provide the user with qualified installation instructions as prescribed by the U.S. Department of Transportation, Code of Federal Regulations, Title 49, Part 192.283(b).

2414.6.2 LP-gas systems. The use of plastic pipe, tubing and fittings in undiluted liquefied petroleum gas piping systems shall be in accordance with NFPA 58.

2414.6.3 Regulator vent piping. Plastic pipe and fittings used to connect regulator vents to remote vent terminations shall be of PVC conforming to ANSI/UL 651. PVC vent piping shall not be installed indoors.

2414.7 Workmanship and defects. Pipe, tubing and fittings shall be clear and free from cutting burrs and defects in structure or threading, and shall be thoroughly brushed, and chip and scale blown.

Defects in pipe, tubing and fittings shall not be repaired. Defective pipe, tubing and fittings shall be replaced. (See Section 2417.1.2.)

2414.8 Protective coating. Where in contact with material or atmosphere exerting

a corrosive action, metallic piping and fittings coated with a corrosion-resistant material shall be used. External or internal coatings or linings used on piping or components shall not be considered as adding strength.

2414.9 Metallic pipe threads. Metallic pipe and fitting threads shall be taper pipe threads and shall comply with ASME B 1.20.1.

2414.9.1 Damaged threads. Pipe with threads that are stripped, chipped, corroded or otherwise damaged shall not be used. Where a weld opens during the operation of cutting or threading, that portion of the pipe shall not be used.

2414.9.2 Number of threads. Field threading of metallic pipe shall be in accordance with Table 2414.9.2.

TABLE 2414.9.2
SPECIFICATIONS FOR THREADING METALLIC PIPE

<u>IRON PIPE SIZE</u> <u>(inches)</u>	<u>APPROXIMATE LENGTH OF</u> <u>THREADED PORTION</u> <u>(inches)</u>	<u>APPROXIMATE NO. OF</u> <u>THREADS TO BE CUT</u>
$\frac{1}{2}$	$\frac{3}{4}$	<u>10</u>
$\frac{3}{4}$	$\frac{3}{4}$	<u>10</u>
<u>1</u>	$\frac{7}{8}$	<u>10</u>
$1\frac{1}{4}$	<u>1</u>	<u>11</u>
$1\frac{1}{2}$	<u>1</u>	<u>11</u>

For SI: 1 inch = 25.4 mm.

2414.9.3 Thread joint compounds. Thread joint compounds shall be resistant to the action of liquefied petroleum gas or to any other chemical constituents of the gases to be conducted through the piping.

2414.10 Metallic piping joints and fittings. The type of piping joint used shall be suitable for the pressure- temperature conditions and shall be selected giving consideration to joint tightness and mechanical strength under the service conditions. The joint shall be able to sustain the maximum end force caused by the internal pressure and any additional forces caused by temperature expansion or contraction, vibration, fatigue, or to the weight of the pipe and its contents.

2414.10.1 Pipe joints. Schedule 40 and heavier pipe joints shall be threaded, flanged, brazed, welded or assembled with press-connect fittings listed in accordance with ANSI LC4/CSA 6.32. Pipe lighter than Schedule 40 shall be connected using press-connect fittings, flanges, brazing or welding. Where

nonferrous pipe is brazed, the brazing materials shall have a melting point in excess of 1,000°F (538°C). Brazing alloys shall not contain more than 0.05-percent phosphorus.

2414.10.2 Copper tubing joints. Copper tubing joints shall be assembled with approved gas tubing fittings, shall be brazed with a material having a melting point in excess of 1,000°F (538°C) or assembled with press-connect fittings listed in accordance with ANSI LC4/CSA 6.32. Brazing alloys shall not contain more than 0.05-percent phosphorus.

2414.10.3 Stainless steel tubing joints. Stainless steel tubing joints shall be welded, assembled with approved tubing fittings, brazed with a material having a melting point in excess of 1,000°F (538°C), or assembled with press-connect fittings listed in accordance with ANSI LC4/CSA 6.32.

2414.10.4 Flared joints. Flared joints shall be used only in systems constructed from nonferrous pipe and tubing where experience or tests have demonstrated that the joint is suitable for the conditions and where provisions are made in the design to prevent separation of the joints.

2414.10.5 Metallic fittings. Metallic fittings shall comply with the following:

1. Fittings used with steel, stainless steel or wrought- iron pipe shall be steel, stainless steel, copper alloy, malleable iron or cast iron.
2. Fittings used with copper or copper alloy pipe shall be copper or copper alloy.
3. Cast-iron bushings shall be prohibited.
4. Special fittings. Fittings such as couplings, proprietary-type joints, saddle tees, gland-type compression fittings, and flared, flareless and compression- type tubing fittings shall be: used within the fitting manufacturer's pressure-temperature recommendations; used within the service conditions anticipated with respect to vibration, fatigue, thermal expansion and contraction; and shall be approved.
5. Where pipe fittings are drilled and tapped in the field, the operation shall be in accordance with all of the following:
 - 5.1. The operation shall be performed on systems having operating pressures of 5 psi (34.5 kPa) or less.
 - 5.2. The operation shall be performed by the gas supplier or the gas supplier's designated representative.
 - 5.3. The drilling and tapping operation shall be performed in accordance with written procedures prepared by the gas supplier.
 - 5.4. The fittings shall be located outdoors.

- 5.5. The tapped fitting assembly shall be inspected and proven to be free of leakage.

2414.11 Plastic piping, joints and fittings. Plastic pipe, tubing and fittings shall be joined in accordance with the manufacturers' instructions. Such joints shall comply with the following:

1. The joints shall be designed and installed so that the longitudinal pull-out resistance of the joint will be greater than or equal to the tensile strength of the plastic piping material.
2. Heat-fusion joints shall be made in accordance with qualified procedures that have been established and proven by test to produce gas-tight joints as strong as or stronger than the pipe or tubing being joined. Joints shall be made with the joining method recommended by the pipe manufacturer. Heat fusion fittings shall be marked "ASTM D2513."
3. Where compression-type mechanical joints are used, the gasket material in the fitting shall be compatible with the plastic piping and with the gas distributed by the system. An internal tubular rigid stiffener shall be used in conjunction with the fitting. The stiffener shall be flush with the end of the pipe or tubing and shall extend to or beyond the outside end of the compression fitting when installed. The stiffener shall be free of rough or sharp edges and shall not be a force-fit in the plastic. Split tubular stiffeners shall not be used.
4. Plastic piping joints and fittings for use in liquefied petroleum gas piping systems shall be in accordance with NFPA 58.

SECTION 2415 **PIPING SYSTEM INSTALLATION**

2415.1 Installation of materials. Materials used shall be installed in strict accordance with the standards under which the materials are accepted and approved. In the absence of such installation procedures, the manufacturer's instructions shall be followed. Where the requirements of referenced standards or manufacturer's instructions do not conform to minimum provisions of this code, the provisions of this code shall apply.

2415.2 CSST. CSST piping systems shall be installed in accordance with the terms of their approval, the conditions of listing, the manufacturer's instructions and this code.

2415.3 Prohibited locations. Piping shall not be installed in or through a ducted supply, return or exhaust, or a clothes chute, chimney or gas vent, dumbwaiter or

elevator shaft. Piping installed downstream of the point of delivery shall not extend through any *dwelling* unit other than the unit served by such piping.

2415.4 Piping in solid partitions and walls. Concealed piping shall not be located in solid partitions and solid walls, unless installed in a chase or casing.

2415.5 Fittings in concealed locations. Fittings installed in concealed locations shall be limited to the following types:

1. Threaded elbows, tees and couplings.
2. Brazed fittings.
3. Welded fittings.
4. Fittings listed to ANSI LC1/CSA 6.26 or ANSI LC4/ CSA 6.32.

2415.6 Underground penetrations prohibited. Gas piping shall not penetrate building foundation walls at any point below grade. Gas piping shall enter and exit a building at a point above grade and the annular space between the pipe and the wall shall be sealed.

2415.7 Protection against physical damage. Where piping will be concealed within light-frame construction assemblies, the piping shall be protected against penetration by fasteners in accordance with Sections 2415.7.1 through 2415.7.3.

Exception: Black steel piping and galvanized steel piping shall not be required to be protected.

2415.7.1 Piping through bored holes or notches. Where piping is installed through holes or notches in framing members and the piping is located less than 1¹/₂ -inches (38 mm) from the framing member face to which wall, ceiling or floor membranes will be attached, the pipe shall be protected by shield plates that cover the width of the pipe and the framing member and that extend not less than 4 inches (102 mm) to each side of the framing member. Where the framing member that the piping passes through is a bottom plate, bottom track, top plate or top track, the shield plates shall cover the framing member and extend not less than 4 inches (102 mm) above the bottom framing member and not less than 4 inches (102 mm) below the top framing member.

2415.7.2 Piping installed in other locations. Where the piping is located within a framing member and is less than 1¹/₂ -inches (38 mm) from the framing member face to which wall, ceiling or floor membranes will be attached, the piping shall be protected by shield plates that cover the width and length of the piping. Where the piping is located outside of a framing member and is located less than 1¹/₂ -inches (38 mm) from the nearest edge of the face of the framing

member to which the membrane will be attached, the piping shall be protected by shield plates that cover the width and length of the piping.

2415.7.3 Shield plates. Shield plates shall be of steel material having a thickness of not less than 0.0575 inch (1.463 mm) (No. 16 gage).

2415.8 Piping in solid floors. Piping in solid floors shall be laid in channels in the floor and covered in a manner that will allow access to the piping with a minimum amount of damage to the building. Where such piping is subject to exposure to excessive moisture or corrosive substances, the piping shall be protected in an approved manner. As an alternative to installation in channels, the piping shall be installed in a conduit of Schedule 40 steel, wrought iron, PVC or ABS pipe in accordance with Section 2415.8.1 or 2415.8.2.

2415.8.1 Conduit with one end terminating outdoors. The conduit shall extend into an occupiable portion of the building and, at the point where the conduit terminates in the building, the space between the conduit and the gas piping shall be sealed to prevent the possible entrance of any gas leakage. The conduit shall extend not less than 2 inches (51 mm) beyond the point where the pipe emerges from the floor. If the end sealing is capable of withstanding the full pressure of the gas pipe, the conduit shall be designed for the same pressure as the pipe. Such conduit shall extend not less than 4 inches (102 mm) outside the building, shall be vented above grade to the outdoors and shall be installed so as to prevent the entrance of water and insects.

2415.8.2 Conduit with both ends terminating indoors. Where the conduit originates and terminates within the same building, the conduit shall originate and terminate in an accessible portion of the building and shall not be sealed. The conduit shall extend not less than 2 inches (51 mm) beyond the point where the pipe emerges from the floor.

2415.9 Above-ground piping outdoors. Piping installed outdoors shall be elevated not less than 3¹/₂ -inches (89 mm) above ground and where installed across roof surfaces, shall be elevated not less than 3¹/₂ -inches (89 mm) above roof surface. Piping installed above ground, outdoors, and installed across the surface of roofs shall be securely supported and located where it will be protected from physical damage. Where passing through an outside wall, the piping shall be protected against corrosion by coating or wrapping with an inert material. Where piping is encased in a protective pipe sleeve, the annular space between the piping and the sleeve shall be sealed.

2415.10 Isolation. Metallic piping and metallic tubing that conveys fuel gas from an LP-gas storage container shall be provided with an approved dielectric fitting to electrically isolate the underground portion of the pipe or tube from the above-ground portion that enters a building. Such dielectric fitting shall be installed above ground, outdoors.

2415.11 Protection against corrosion. Steel pipe or tubing exposed to corrosive action, such as soil condition or moisture, shall be protected in accordance with Sections 2415.11.1 through 2415.11.5.

2415.11.1 Galvanizing. Zinc coating shall not be deemed adequate protection for underground gas piping.

2415.11.2 Protection methods. Underground piping shall comply with one or more of the following:

1. The piping shall be made of corrosion-resistant material that is suitable for the environment in which it will be installed.
2. Pipe shall have a factory-applied, electrically-insulating coating. Fittings and joints between sections of coated pipe shall be coated in accordance with the coating manufacturer's instructions.
3. The piping shall have a cathodic protection system installed and the system shall be monitored and maintained in accordance with an approved program.

2415.11.3 Dissimilar metals. Where dissimilar metals are joined underground, an insulating coupling or fitting shall be used.

2415.11.4 Protection of risers. Steel risers connected to plastic piping shall be cathodically protected by means of a welded anode, except where such risers are anodeless risers.

2415.11.5 Prohibited use. Uncoated threaded or socket-welded joints shall not be used in piping in contact with soil or where internal or external crevice corrosion is known to occur.

2415.12 Minimum burial depth. Underground piping systems shall be installed a minimum depth of 12 inches (305 mm) below grade, except as provided for in Section 2415.12.1.

2415.12.1 Individual outdoor appliances. Individual lines to outdoor lights, grills and other appliances shall be installed not less than 8 inches (203 mm)

below finished grade, provided that such installation is approved and is installed in locations not susceptible to physical damage.

2415.13 Trenches. The trench shall be graded so that the pipe has a firm, substantially continuous bearing on the bottom of the trench.

2415.14 Piping underground beneath buildings. Piping installed underground beneath buildings is prohibited except where the piping is encased in a conduit of wrought iron, plastic pipe, steel pipe, a piping or encasement system listed for installation beneath buildings, or other approved conduit material designed to withstand the superimposed loads. The conduit shall be protected from corrosion in accordance with Section 2415.11 and shall be installed in accordance with Section 2415.14.1 or 2415.14.2.

2415.14.1 Conduit with one end terminating outdoors. The conduit shall extend into an occupiable portion of the building and, at the point where the conduit terminates in the building, the space between the conduit and the gas piping shall be sealed to prevent the possible entrance of any gas leakage. The conduit shall extend not less than 2 inches (51 mm) beyond the point where the pipe emerges from the floor. Where the end sealing is capable of withstanding the full pressure of the gas pipe, the conduit shall be designed for the same pressure as the pipe. Such conduit shall extend not less than 4 inches (102 mm) outside the building, shall be vented above grade to the outdoors and shall be installed so as to prevent the entrance of water and insects.

2415.14.2 Conduit with both ends terminating indoors. Where the conduit originates and terminates within the same building, the conduit shall originate and terminate in an accessible portion of the building and shall not be sealed. The conduit shall extend not less than 2 inches (51 mm) beyond the point where the pipe emerges from the floor.

2415.15 Outlet closures. Gas outlets that do not connect to appliances shall be capped gas tight.

Exception: Listed and labeled flush-mounted-type quick-disconnect devices and listed and labeled gas convenience outlets shall be installed in accordance with the manufacturer's instructions.

2415.16 Location of outlets. The unthreaded portion of piping outlets shall extend not less than 1 inch (25 mm) through finished ceilings and walls and where extending through floors or outdoor patios and slabs, shall be not less than 2 inches (51 mm) above them. The outlet fitting or piping shall be securely supported.

Outlets shall not be placed behind doors. Outlets shall be located in the room or space where the appliance is installed.

Exception: Listed and labeled flush-mounted-type quick-disconnect devices and listed and labeled gas convenience outlets shall be installed in accordance with the manufacturer's instructions.

2415.17 Plastic pipe. The installation of plastic pipe shall comply with Sections 2415.17.1 through 2415.17.3.

2415.17.1 Limitations. Plastic pipe shall be installed outdoors underground only. Plastic pipe shall not be used within or under any building or slab or be operated at pressures greater than 100 psig (689 kPa) for natural gas or 30 psig (207 kPa) for LP-gas.

Exceptions:

1. Plastic pipe shall be permitted to terminate above ground outside of buildings where installed in premanufactured anodeless risers or service head adapter risers that are installed in accordance with the manufacturer's instructions.
2. Plastic pipe shall be permitted to terminate with a wall head adapter within buildings where the plastic pipe is inserted in a piping material for fuel gas use in buildings.
3. Plastic pipe shall be permitted under outdoor patio, walkway and driveway slabs provided that the burial depth complies with Section 2415.12.

2415.17.2 Connections. Connections made outdoors and underground between metallic and plastic piping shall be made only with transition fittings conforming to ASTM D2513 Category I or ASTM F1973.

2415.17.3 Tracer. A yellow-insulated copper tracer wire or other approved conductor, or a product specifically designed for that purpose, shall be installed adjacent to underground nonmetallic piping. Access shall be provided to the tracer wire or the tracer wire shall terminate above ground at each end of the nonmetallic piping. The tracer wire size shall be not less than 18 AWG and the insulation type shall be suitable for direct burial.

2415.18 Pipe cleaning. The use of a flammable or combustible gas to clean or remove debris from a piping system shall be prohibited.

2415.19 Prohibited devices. A device shall not be placed inside the piping or fittings that will reduce the cross-sectional area or otherwise obstruct the free flow

of gas.

Exceptions:

1. Approved gas filters.
2. An approved fitting or device where the gas piping system has been sized to accommodate the pressure drop of the fitting or device.

2415.20 Testing of piping. Before any system of piping is put in service or concealed, it shall be tested to ensure that it is gas tight. Testing, inspection and purging of piping systems shall comply with Section 2417.

SECTION 2416
PIPING BENDS AND CHANGES IN DIRECTION

2416.1 General. Changes in direction of pipe shall be permitted to be made by the use of fittings, factory bends or field bends.

2416.2 Metallic pipe. Metallic pipe bends shall comply with the following:

1. Bends shall be made only with bending tools and procedures intended for that purpose.
2. Bends shall be smooth and free from buckling, cracks or other evidence of mechanical damage.
3. The longitudinal weld of the pipe shall be near the neutral axis of the bend.
4. Pipe shall not be bent through an arc of more than 90 degrees (1.6 rad). The inside radius of a bend shall be not less than six times the outside diameter of the pipe.

2416.3 Plastic pipe. Plastic pipe bends shall comply with the following:

1. The pipe shall not be damaged and the internal diameter of the pipe shall not be effectively reduced.
2. Joints shall not be located in pipe bends.
3. The radius of the inner curve of such bends shall be not less than 25 times the inside diameter of the pipe.
4. Where the piping manufacturer specifies the use of special bending tools or procedures, such tools or procedures shall be used.

SECTION 2417
INSPECTION, TESTING AND PURGING

2417.1 General. Prior to acceptance and initial operation, all piping installations shall be visually inspected and pressure tested to determine that the materials, design, fabrication and installation practices comply with the requirements of this

code.

2417.1.1 Inspections. Inspection shall consist of visual examination, during or after manufacture, fabrication, assembly or pressure tests.

2417.1.2 Repairs and additions. In the event repairs or additions are made after the pressure test, the affected piping shall be tested.

Minor repairs and additions are not required to be pressure tested provided that the work is inspected and connections are tested with a noncorrosive leak-detecting fluid or other approved leak-detecting methods.

2417.1.3 New branches. Where new branches are installed to new appliances, only the newly installed branches shall be required to be pressure tested. Connections between the new piping and the existing piping shall be tested with a noncorrosive leak-detecting fluid or other approved leak-detecting methods.

2417.1.4 Section testing. A piping system shall be permitted to be tested as a complete unit or in sections. A valve in a line shall not be used as a bulkhead between gas in one section of the piping system and test medium in an adjacent section, except where a double block and bleed valve system is installed. A valve shall not be subjected to the test pressure unless it can be determined that the valve, including the valve-closing mechanism, is designed to safely withstand the test pressure.

2417.1.5 Regulators and valve assemblies. Regulator and valve assemblies fabricated independently of the piping system in which they are to be installed shall be permitted to be tested with inert gas or air at the time of fabrication.

2417.1.6 Pipe clearing. Prior to testing, the interior of the pipe shall be cleared of all foreign material.

2417.2 Test medium. The test medium shall be air, nitrogen, carbon dioxide or an inert gas. Oxygen shall not be used as a test medium.

2417.3 Test preparation. Pipe joints, including welds, shall be left exposed for examination during the test.

Exception: Covered or concealed pipe end joints that have been previously tested in accordance with this code.

2417.3.1 Expansion joints. Expansion joints shall be provided with temporary restraints, if required, for the additional thrust load under test.

2417.3.2 Appliance and equipment isolation. Appliances and equipment that are not to be included in the test shall be either disconnected from the piping or isolated by blanks, blind flanges or caps.

2417.3.3 Appliance and equipment disconnection. Where the piping system is connected to appliances or equipment designed for operating pressures of less than the test pressure, such appliances or equipment shall be isolated from the piping system by disconnecting them and capping the outlet(s).

2417.3.4 Valve isolation. Where the piping system is connected to appliances or equipment designed for operating pressures equal to or greater than the test pressure, such appliances or equipment shall be isolated from the piping system by closing the individual appliance or equipment shutoff valve(s).

2417.3.5 Testing precautions. Testing of piping systems shall be performed in a manner that protects the safety of employees and the public during the test.

2417.4 Test pressure measurement. Test pressure shall be measured with a manometer or with a pressure-measuring device designed and calibrated to read, record, or indicate a pressure loss caused by leakage during the pressure test period. The source of pressure shall be isolated before the pressure tests are made. Mechanical gauges used to measure test pressures shall have a range such that the highest end of the scale is not greater than five times the test pressure.

2417.4.1 Test pressure. The test pressure to be used shall be not less than $1\frac{1}{2}$ -times the proposed maximum working pressure, but not less than 3 psig (20 kPa gauge), irrespective of design pressure. Where the test pressure exceeds 125 psig (862 kPa gauge), the test pressure shall not exceed a value that produces a hoop stress in the piping greater than 50 percent of the specified minimum yield strength of the pipe.

2417.4.2 Test duration. The test duration shall be not less than 10 minutes.

2417.5 Detection of leaks and defects. The piping system shall withstand the test pressure specified without showing any evidence of leakage or other defects. Any reduction of test pressures as indicated by pressure gauges shall be deemed to indicate the presence of a leak unless such reduction can be readily attributed to some other cause.

2417.5.1 Detection methods. The leakage shall be located by means of an

approved gas detector, a noncorrosive leak detection fluid or other approved leak detection methods.

2417.5.2 Corrections. Where leakage or other defects are located, the affected portion of the piping system shall be repaired or replaced and retested.

2417.6 Piping system and equipment leakage check. Leakage checking of systems and equipment shall be in accordance with Sections 2417.6.1 through 2417.6.4.

2417.6.1 Test gases. Leak checks using fuel gas shall be permitted in piping systems that have been pressure tested in accordance with Section 2417.

2417.6.2 Before turning gas on. During the process of turning gas on into a system of new gas piping, the entire system shall be inspected to determine that there are no open fittings or ends and that all valves at unused outlets are closed and plugged or capped.

2417.6.3 Leak check. Immediately after the gas is turned on into a new system or into a system that has been initially restored after an interruption of service, the piping system shall be checked for leakage. Where leakage is indicated, the gas supply shall be shut off until the necessary repairs have been made.

2417.6.4 Placing appliances and equipment in operation. Appliances and equipment shall not be placed in operation until after the piping system has been checked for leakage in accordance with Section 2417.6.3, the piping system has been purged in accordance with Section 2417.7 and the connections to the appliances have been checked for leakage.

2417.7 Purging. The purging of piping shall be in accordance with Sections 2417.7.1 through 2417.7.3.

2417.7.1 Piping systems required to be purged outdoors. The purging of piping systems shall be in accordance with the provisions of Sections 2417.7.1.1 through 2417.7.1.4 where the piping system meets either of the following:

1. The design operating gas pressure is greater than 2psig (13.79 kPa).
2. The piping being purged contains one or more sections of pipe or tubing meeting the size and length criteria of Table 2417.7.1.1.

2417.7.1.1 Removal from service. Where existing gas piping is opened,

the section that is opened shall be isolated from the gas supply and the line pressure vented in accordance with Section 2417.7.1.3. Where gas piping meeting the criteria of Table 2417.7.1.1 is removed from service, the residual fuel gas in the piping shall be displaced with an inert gas.

TABLE 2417.7.1.1
SIZE AND LENGTH OF PIPING

<u>NOMINAL PIPE SIZE</u> <u>(inches)^a</u>	<u>LENGTH OF PIPING</u> <u>(feet)</u>
<u>$> 2\frac{1}{2} < 3$</u>	<u>≥ 50</u>
<u>$> 3 < 4$</u>	<u>≥ 30</u>
<u>$> 4 < 6$</u>	<u>≥ 15</u>
<u>$> 6 < 8$</u>	<u>≥ 10</u>
<u>≥ 8</u>	<u>Any length</u>

For SI: 1 inch = 25.4 mm, 1 foot = 304.8 mm.

- a. CSST EHD size of 62 is equivalent to nominal 2-inch pipe or tubing size.

2417.7.1.2 Placing in operation. Where gas piping containing air and meeting the criteria of Table 2417.7.1.1 is placed in operation, the air in the piping shall first be displaced with an inert gas. The inert gas shall then be displaced with fuel gas in accordance with Section 2417.7.1.3.

2417.7.1.3 Outdoor discharge of purged gases. The open end of a piping system being pressure vented or purged shall discharge directly to an outdoor location. Purging operations shall comply with all of the following requirements:

1. The point of discharge shall be controlled with a shutoff valve.
2. The point of discharge shall be located not less than 10 feet (3048 mm) from sources of ignition, not less than 10 feet (3048 mm) from building openings and not less than 25 feet (7620 mm) from mechanical air intake openings.
3. During discharge, the open point of discharge shall be continuously attended and monitored with a combustible gas indicator that complies with Section 2417.7.1.4.
4. Purging operations introducing fuel gas shall be stopped when 90 percent fuel gas by volume is detected within the pipe.
5. Persons not involved in the purging operations shall be evacuated from all areas within 10 feet (3048 mm) of the point of discharge.

2417.7.1.4 Combustible gas indicator. Combustible gas indicators shall be listed and shall be calibrated in accordance with the manufacturer's instructions. Combustible gas indicators shall numerically display a volume

scale from zero percent to 100 percent in 1-percent or smaller increments.

2417.7.2 Piping systems allowed to be purged indoors or outdoors. The purging of piping systems shall be in accordance with the provisions of Section 2417.7.2.1 where the piping system meets both of the following:

1. The design operating gas pressure is 2 psig (13.79 kPa) or less.
2. The piping being purged is constructed entirely from pipe or tubing not meeting the size and length criteria of Table 2417.7.1.1.

2417.7.2.1 Purging procedure. The piping system shall be purged in accordance with one or more of the following:

1. The piping shall be purged with fuel gas and shall discharge to the outdoors.
2. The piping shall be purged with fuel gas and shall discharge to the indoors or outdoors through an appliance burner not located in a combustion chamber. Such burner shall be provided with a continuous source of ignition.
3. The piping shall be purged with fuel gas and shall discharge to the indoors or outdoors through a burner that has a continuous source of ignition and that is designed for such purpose.
4. The piping shall be purged with fuel gas that is discharged to the indoors or outdoors, and the point of discharge shall be monitored with a listed combustible gas detector in accordance with Section 2417.7.2.2. Purging shall be stopped when fuel gas is detected.
5. The piping shall be purged by the gas supplier in accordance with written procedures.

2417.7.2.2 Combustible gas detector. Combustible gas detectors shall be listed and shall be calibrated or tested in accordance with the manufacturer's instructions. Combustible gas detectors shall be capable of indicating the presence of fuel gas.

2417.7.3 Purging appliances and equipment. After the piping system has been placed in operation, appliances and equipment shall be purged before being placed into operation.

SECTION 2418 **PIPING SUPPORT**

2418.1 General. Piping shall be provided with support in accordance with Section G2418.2.

2418.2 Design and installation. Piping shall be supported with metal pipe hooks, metal pipe straps, metal bands, metal brackets, metal hangers or building structural components suitable for the size of piping, of adequate strength and quality, and located at intervals so as to prevent or damp out excessive vibration. Piping shall be anchored to prevent undue strains on connected appliances and shall not be supported by other piping. Pipe hangers and supports shall conform to the requirements of MSS SP-58 and shall be spaced in accordance with Section 2424. Supports, hangers and anchors shall be installed so as not to interfere with the free expansion and contraction of the piping between anchors. The components of the supporting equipment shall be designed and installed so that they will not be disengaged by movement of the supported piping.

SECTION 2419 **DRIPS AND SLOPED PIPING**

2419.1 Slopes. Piping for other than dry gas conditions shall be sloped not less than $\frac{1}{4}$ inch in 15 feet (6.3 mm in 4572 mm) to prevent traps.

2419.2 Drips. Where wet gas exists, a drip shall be provided at any point in the line of pipe where condensate could collect. A drip shall be provided at the outlet of the meter and shall be installed so as to constitute a trap wherein an accumulation of condensate will shut off the flow of gas before the condensate will run back into the meter.

2419.3 Location of drips. Drips shall be provided with ready access to permit cleaning or emptying. A drip shall not be located where the condensate is subject to freezing.

2419.4 Sediment trap. Where a sediment trap is not incorporated as part of the appliance, a sediment trap shall be installed downstream of the appliance shutoff valve as close to the inlet of the appliance as practical. The sediment trap shall be either a tee fitting having a capped nipple of any length installed vertically in the bottommost opening of the tee as illustrated in Figure 2419.4 or other device approved as an effective sediment trap. Illuminating appliances, ranges, clothes dryers, decorative vented appliances for installation in vented fireplaces, gas fireplaces and outdoor grills need not be so equipped.

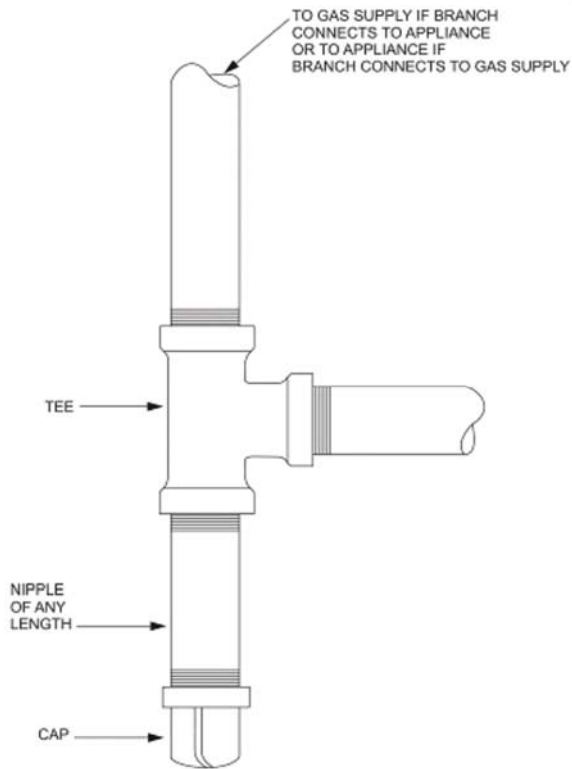


FIGURE 2419.4
METHOD OF INSTALLING A TEE FITTING SEDIMENT TRAP

SECTION 2420
SHUTOFF VALVES

2420.1 General. Piping systems shall be provided with shutoff valves in accordance with this section.

2420.1.1 Valve approval. Shutoff valves shall be of an approved type; shall be constructed of materials compatible with the piping; and shall comply with the standard that is applicable for the pressure and application, in accordance with Table 2420.1.1.

TABLE 2420.1.1
MANUAL GAS VALVE STANDARDS

<u>VALVE STANDARDS</u>	<u>APPLIANCE SHUTOFF VALVE APPLICATION UP TO 1/2 psig PRESSURE</u>	<u>OTHER VALVE APPLICATIONS</u>			
		<u>UP TO 1/2 psig PRESSURE</u>	<u>UP TO 2 psig PRESSURE</u>	<u>UP TO 5 psig PRESSURE</u>	<u>UP TO 125 psig PRESSURE</u>
<u>ANSI Z21.15/CGA</u>	<u>X</u>	<u>=</u>	<u>=</u>	<u>=</u>	<u>=</u>
<u>ASME B 16.44</u>	<u>X</u>	<u>X</u>	<u>X^a</u>	<u>X^b</u>	<u>=</u>
<u>ASME B 16.33</u>	<u>X</u>	<u>X</u>	<u>X</u>	<u>X</u>	<u>X</u>

For SI: 1 pound per square inch gauge = 6.895 kPa.

a. If labeled 2G.

b. If labeled 5G.

2420.1.2 Prohibited locations. Shutoff valves shall be prohibited in concealed locations and furnace plenums.

2420.1.3 Access to shutoff valves. Shutoff valves shall be located in places so as to provide access for operation and shall be installed so as to be protected from damage.

2420.2 Meter valve. Every meter shall be equipped with a shutoff valve located on the supply side of the meter.

2420.3 Individual buildings. In a common system serving more than one building, shutoff valves shall be installed outdoors at each building.

2420.4 MP regulator valves. A listed shutoff valve shall be installed immediately ahead of each MP regulator.

2420.5 Appliance shutoff valve. Each appliance shall be provided with a shutoff valve in accordance with Section 2420.5.1, 2420.5.2 or 2420.5.3.

2420.5.1 Located within same room. The shutoff valve shall be located in the same room as the appliance. The shutoff valve shall be within 6 feet (1829 mm) of the appliance, and shall be installed upstream of the union, connector or quick disconnect device it serves. Such shutoff valves shall be provided with access. Shutoff valves serving movable appliances, such as cooking appliances and clothes dryers, shall be considered to be provided with access where installed behind such appliances. Appliance shutoff valves located in the firebox of a fireplace shall be installed in accordance with the appliance manufacturer's instructions.

2420.5.2 Vented decorative appliances and room heaters. Shutoff valves for vented decorative appliances, room heaters and decorative appliances for

installation in vented fireplaces shall be permitted to be installed in an area remote from the appliances where such valves are provided with ready access. Such valves shall be permanently identified and shall not serve another appliance. The piping from the shutoff valve to within 6 feet (1829 mm) of the appliance shall be designed, sized and installed in accordance with Sections 2412 through 2419.

2420.5.3 Located at manifold. Where the appliance shutoff valve is installed at a manifold, such shutoff valve shall be located within 50 feet (15 240 mm) of the appliance served and shall be readily accessible and permanently identified. The piping from the manifold to within 6 feet (1829 mm) of the appliance shall be designed, sized and installed in accordance with Sections 2412 through 2419.

2420.6 Shutoff valves in tubing systems. Shutoff valves installed in tubing systems shall be rigidly and securely supported independently of the tubing.

SECTION 2421 **FLOW CONTROLS**

2421.1 Pressure regulators. A line pressure regulator shall be installed where the appliance is designed to operate at a lower pressure than the supply pressure. Line gas pressure regulators shall be listed as complying with ANSI Z21.80/CSA 6.22. Access shall be provided to pressure regulators. Pressure regulators shall be protected from physical damage. Regulators installed on the exterior of the building shall be approved for outdoor installation.

2421.2 MP regulators. MP pressure regulators shall comply with the following:

1. The MP regulator shall be approved and shall be suitable for the inlet and outlet gas pressures for the application.
2. The MP regulator shall maintain a reduced outlet pressure under lock-up (no-flow) conditions.
3. The capacity of the MP regulator, determined by published ratings of its manufacturer, shall be adequate to supply the appliances served.
4. The MP pressure regulator shall be provided with access. Where located indoors, the regulator shall be vented to the outdoors or shall be equipped with a leak-limiting device, in either case complying with Section 2421.3.
5. A tee fitting with one opening capped or plugged shall be installed between the MP regulator and its upstream shutoff valve. Such tee fitting shall be positioned to allow connection of a pressure-measuring instrument and to serve as a sediment trap.

6. A tee fitting with one opening capped or plugged shall be installed not less than 10 pipe diameters downstream of the MP regulator outlet. Such tee fitting shall be positioned to allow connection of a pressure-measuring instrument. The tee fitting is not required where the MP regulator serves an appliance that has a pressure test port on the gas control inlet side and the appliance is located in the same room as the MP regulator.
7. Where connected to rigid piping, a union shall be installed within 1 foot (304 mm) of either side of the MP regulator.

2421.3 Venting of regulators. Pressure regulators that require a vent shall be vented directly to the outdoors. The vent shall be designed to prevent the entry of insects, water and foreign objects.

Exception: A vent to the outdoors is not required for regulators equipped with and labeled for utilization with an approved vent-limiting device installed in accordance with the manufacturer's instructions.

2421.3.1 Vent piping. Vent piping for relief vents and breather vents shall be constructed of materials allowed for gas piping in accordance with Section 2414. Vent piping shall be not smaller than the vent connection on the pressure-regulating device. Vent piping serving relief vents and combination relief and breather vents shall be run independently to the outdoors and shall serve only a single device vent. Vent piping serving only breather vents is permitted to be connected in a manifold arrangement where sized in accordance with an approved design that minimizes backpressure in the event of diaphragm rupture. Regulator vent piping shall not exceed the length specified in the regulator manufacturer's instructions.

2421.4 Excess flow valves. Where automatic excess flow valves are installed, they shall be listed in accordance with ANSI Z21.93/CSA 6.30 and shall be sized and installed in accordance with the manufacturer's instructions.

2421.5 Flashback arrestor check valve. Where fuel gas is used with oxygen in any hot work operation, a listed protective device that serves as a combination flash-back arrestor and backflow check valve shall be installed at an approved location on both the fuel gas and oxygen supply lines. Where the pressure of the piped fuel gas supply is insufficient to ensure such safe operation, approved equipment shall be installed between the gas meter and the appliance that increases pressure to the level required for such safe operation.

SECTION 2422 **APPLIANCE CONNECTIONS**

2422.1 Connecting appliances. Appliances shall be connected to the piping system by one of the following:

1. Rigid metallic pipe and fittings.
2. Corrugated stainless steel tubing (CSST) where installed in accordance with the manufacturer's instructions.
3. Listed and labeled appliance connectors in compliance with ANSI Z21.24/CSA 6.10 and installed in accordance with the manufacturer's instructions and located entirely in the same room as the appliance.
4. Listed and labeled quick-disconnect devices used in conjunction with listed and labeled appliance connectors.
5. Listed and labeled convenience outlets used in conjunction with listed and labeled appliance connectors.
6. Listed and labeled outdoor appliance connectors in compliance with ANSI Z21.75/CSA 6.27 and installed in accordance with the manufacturer's instructions.
7. Listed outdoor gas hose connectors in compliance with ANSI Z21.54 used to connect portable outdoor appliances. The gas hose connection shall be made only in the outdoor area where the appliance is used, and shall be to the gas piping supply at an appliance shutoff valve, a listed quick-disconnect device or listed gas convenience outlet.

2422.1.1 Protection from damage. Connectors and tubing shall be installed so as to be protected against physical damage.

2422.1.2 Connector installation. Appliance fuel connectors shall be installed in accordance with the manufacturer's instructions and Sections 2422.1.2.1 through 2422.1.2.4.

2422.1.2.1 Maximum length. Connectors shall have an overall length not to exceed 6 feet (1829 mm). Measurement shall be made along the centerline of the connector. Only one connector shall be used for each appliance.

Exception: Rigid metallic piping used to connect an appliance to the piping system shall be permitted to have a total length greater than 6 feet (1829 mm), provided that the connecting pipe is sized as part of the piping system in accordance with Section 2413 and the location of the appliance shutoff valve complies with Section 2420.5.

2422.1.2.2 Minimum size. Connectors shall have the capacity for the total demand of the connected appliance.

2422.1.2.3 Prohibited locations and penetrations. Connectors shall not be concealed within, or extended through, walls, floors, partitions, ceilings or appliance housings.

Exceptions:

1. Connectors constructed of materials allowed for piping systems in accordance with Section 2414 shall be permitted to pass through walls, floors, partitions and ceilings where installed in accordance with Section 2420.5.2 or 2420.5.3.
2. Rigid steel pipe connectors shall be permitted to extend through openings in appliance housings.
3. Fireplace inserts that are factory equipped with grommets, sleeves or other means of protection in accordance with the listing of the appliance.
4. Semi-rigid tubing and listed connectors shall be permitted to extend through an opening in an appliance housing, cabinet or casing where the tubing or connector is protected against damage.

2422.1.2.4 Shutoff valve. A shutoff valve not less than the nominal size of the connector shall be installed ahead of the connector in accordance with Section G2420.5.

2422.1.3 Connection of gas engine-powered equipment and appliances. Internal combustion engines shall not be rigidly connected to the gas supply piping.

2422.1.4 Unions. A union fitting shall be provided for appliances connected by rigid metallic pipe. Such unions shall be accessible and located within 6 feet (1829 mm) of the appliance.

2422.1.5 Movable appliances. Where appliances are equipped with casters or are otherwise subject to periodic movement or relocation for purposes such as routine cleaning and maintenance, such appliances shall be connected to the supply system piping by means of an appliance connector listed as complying with ANSI Z21.69/CSA 6.16 or by means of Item 1 of Section 2422.1. Such flexible connectors shall be installed and protected against physical damage in accordance with the manufacturer's instructions.

2422.2 Suspended low-intensity infrared tube heaters. Suspended low-intensity infrared tube heaters shall be connected to the building piping system with a

connector listed for the application complying with ANSI Z21.24/CGA 6.10. The connector shall be installed as specified by the tube heater manufacturer's instructions.

SECTION 2423
COMPRESSED NATURAL GAS MOTOR VEHICLE
FUEL-DISPENSING FACILITIES

2423.1 General. Motor fuel-dispensing facilities for CNG fuel shall be in accordance with Section 413 of the "International Fuel Gas Code".

SECTION 2424
PIPING SUPPORT INTERVALS

2424.1 Interval of support. Piping shall be supported at intervals not exceeding the spacing specified in Table 2424.1. Spacing of supports for CSST shall be in accordance with the CSST manufacturer's instructions.

TABLE 2424.1
SUPPORT OF PIPING

<u>STEEL PIPE, NOMINAL SIZE OF PIPE (inches)</u>	<u>SPACING OF SUPPORTS (feet)</u>	<u>NOMINAL SIZE OF TUBING SMOOTH-WALL (inch O.D.)</u>	<u>SPACING OF SUPPORTS (feet)</u>
$\frac{1}{2}$	<u>6</u>	$\frac{1}{2}$	<u>4</u>
$\frac{3}{4}$ or 1	<u>8</u>	$\frac{5}{8}$ or $\frac{3}{4}$	<u>6</u>
$1\frac{1}{4}$ or larger (horizontal)	<u>10</u>	$\frac{7}{8}$ or 1 (horizontal)	<u>8</u>
$1\frac{1}{4}$ or larger (vertical)	Every floor level	1 or larger (vertical)	Every floor level

For SI: 1 inch = 25.4 mm, 1 foot = 304.8 mm.

SECTION 2425
GENERAL

2425.1 Scope. This section shall govern the installation, maintenance, repair and approval of factory-built chimneys, chimney liners, vents and connectors and the utilization of masonry chimneys serving gas-fired appliances.

2425.2 General. Every appliance shall discharge the products of combustion to the outdoors, except for appliances exempted by Section 2425.8.

2425.3 Masonry chimneys. Masonry chimneys shall be constructed in accordance

with Section 2427.5 and Chapter 10.

2425.4 Minimum size of chimney or vent. Chimneys and vents shall be sized in accordance with Sections 2427 and 2428.

2425.5 Abandoned inlet openings. Abandoned inlet openings in chimneys and vents shall be closed by an approved method.

2425.6 Positive pressure. Where an appliance equipped with a mechanical forced draft system creates a positive pressure in the venting system, the venting system shall be designed for positive pressure applications.

2425.7 Connection to fireplace. Connection of appliances to chimney flues serving fireplaces shall be in accordance with Sections 2425.7.1 through 2425.7.3.

2425.7.1 Closure and access. A noncombustible seal shall be provided below the point of connection to prevent entry of room air into the flue. Means shall be provided for access to the flue for inspection and cleaning.

2425.7.2 Connection to factory-built fireplace flue. An appliance shall not be connected to a flue serving a factory-built fireplace unless the appliance is specifically listed for such installation. The connection shall be made in accordance with the appliance manufacturer's installation instructions.

2425.7.3 Connection to masonry fireplace flue. A connector shall extend from the appliance to the flue serving a masonry fireplace such that the flue gases are exhausted directly into the flue. The connector shall be accessible or removable for inspection and cleaning of both the connector and the flue. Listed direct connection devices shall be installed in accordance with their listing.

2425.8 Appliances not required to be vented. The following appliances shall not be required to be vented:

1. Ranges.
2. Built-in domestic cooking units listed and marked for optional venting.
3. Hot plates and laundry stoves.
4. Type 1 clothes dryers (Type 1 clothes dryers shall be exhausted in accordance with the requirements of Section 2439).
5. Refrigerators.
6. Counter appliances.
7. Room heaters listed for unvented use.

Where the appliances listed in Items 5 through 7 are installed so that the aggregate input rating exceeds 20 Btu per hour per cubic foot (207 W/m³) of volume of the room or space in which such appliances are installed, one or more shall be provided with venting systems or other approved means for conveying the vent gases to the outdoor atmosphere so that the aggregate input rating of the remaining unvented appliances does not exceed 20 Btu per hour per cubic foot (207 W/m³). Where the room or space in which the appliance is installed is directly connected to another room or space by a doorway, archway or other opening of comparable size that cannot be closed, the volume of such adjacent room or space shall be permitted to be included in the calculations.

2425.9 Chimney entrance. Connectors shall connect to a masonry chimney flue at a point not less than 12 inches (305 mm) above the lowest portion of the interior of the chimney flue.

2425.10 Connections to exhauster. Appliance connections to a chimney or vent equipped with a power exhauster shall be made on the inlet side of the exhauster. Joints on the positive pressure side of the exhauster shall be sealed to prevent flue-gas leakage as specified by the manufacturer's installation instructions for the exhauster.

2425.11 Masonry chimneys. Masonry chimneys utilized to vent appliances shall be located, constructed and sized as specified in the manufacturer's installation instructions for the appliances being vented and Section 2427.

2425.12 Residential and low-heat appliances flue lining systems. Flue lining systems for use with residential-type and low-heat appliances shall be limited to the following:

1. Clay flue lining complying with the requirements of ASTM C315 or equivalent. Clay flue lining shall be installed in accordance with Chapter 10.
2. Listed chimney lining systems complying with UL 1777.
3. Other approved materials that will resist, without cracking, softening or corrosion, flue gases and condensate at temperatures up to 1,800°F (982°C).

2425.13 Category I appliance flue lining systems. Flue lining systems for use with Category I appliances shall be limited to the following:

1. Flue lining systems complying with Section 2425.12.
2. Chimney lining systems listed and labeled for use with gas appliances with draft hoods and other Category I gas appliances listed and labeled for use with Type B vents.

2425.14 Category II, III and IV appliance venting systems. The design, sizing and installation of vents for Category II, III and IV appliances shall be in accordance with the appliance manufacturer's instructions.

2425.15 Existing chimneys and vents. Where an appliance is permanently disconnected from an existing chimney or vent, or where an appliance is connected to an existing chimney or vent during the process of a new installation, the chimney or vent shall comply with Sections 2425.15.1 through 2425.15.4.

2425.15.1 Size. The chimney or vent shall be resized as necessary to control flue gas condensation in the interior of the chimney or vent and to provide the appliance or appliances served with the required draft. For Category I appliances, the resizing shall be in accordance with Section 2426.

2425.15.2 Flue passageways. The flue gas passageway shall be free of obstructions and combustible deposits and shall be cleaned if previously used for venting a solid or liquid fuel-burning appliance or fireplace. The flue liner, chimney inner wall or vent inner wall shall be continuous and shall be free of cracks, gaps, perforations, or other damage or deterioration that would allow the escape of combustion products, including gases, moisture and creosote.

2425.15.3 Cleanout. Masonry chimney flues shall be provided with a cleanout opening having a minimum height of 6 inches (152 mm). The upper edge of the opening shall be located not less than 6 inches (152 mm) below the lowest chimney inlet opening. The cleanout shall be provided with a tight-fitting, noncombustible cover.

2425.15.4 Clearances. Chimneys and vents shall have airspace clearance to combustibles in accordance with Chapter 10 and the chimney or vent manufacturer's installation instructions.

Exception: Masonry chimneys without the required airspace clearances shall be permitted to be used if lined or relined with a chimney lining system listed for use in chimneys with reduced clearances in accordance with UL 1777. The chimney clearance shall be not less than permitted by the terms of the chimney liner listing and the manufacturer's instructions.

2425.15.4.1 Fireblocking. Noncombustible fireblocking shall be provided in accordance with Chapter 10.

SECTION 2426

VENTS

2426.1 General. Vents, except as provided in Section 2427.7, shall be listed and labeled. Type B and BW vents shall be tested in accordance with UL 441. Type L vents shall be tested in accordance with UL 641. Vents for Category II and III appliances shall be tested in accordance with UL 1738. Plastic vents for Category IV appliances shall not be required to be listed and labeled where such vents are as specified by the appliance manufacturer and are installed in accordance with the appliance manufacturer's instructions.

2426.2 Connectors required. Connectors shall be used to connect appliances to the vertical chimney or vent, except where the chimney or vent is attached directly to the appliance. Vent connector size, material, construction and installation shall be in accordance with Section 2427.

2426.3 Vent application. The application of vents shall be in accordance with Table 2427.4.

2426.4 Insulation shield. Where vents pass through insulated assemblies, an insulation shield constructed of steel having a minimum thickness of 0.0187 inch (0.4712 mm) (No. 26 gage) shall be installed to provide clearance between the vent and the insulation material. The clearance shall be not less than the clearance to combustibles specified by the vent manufacturer's installation instructions. Where vents pass through attic space, the shield shall terminate not less than 2 inches (51 mm) above the insulation materials and shall be secured in place to prevent displacement. Insulation shields provided as part of a listed vent system shall be installed in accordance with the manufacturer's instructions.

2426.5 Installation. Vent systems shall be sized, installed and terminated in accordance with the vent and appliance manufacturer's installation instructions and Section G2427.

2426.6 Support of vents. All portions of vents shall be adequately supported for the design and weight of the materials employed.

2426.7 Protection against physical damage. In concealed locations, where a vent is installed through holes or notches in studs, joists, rafters or similar members less than 1 1/2 inches (38 mm) from the nearest edge of the member, the vent shall be protected by shield plates. Protective steel shield plates having a minimum thickness of 0.0575- inch (1.463 mm) (No. 16 gage) shall cover the area of the vent where the member is notched or bored and shall extend not less than 4 inches (102

mm) above sole plates, below top plates and to each side of a stud, joist or rafter.

2426.7.1 Door swing. Appliance and equipment vent terminals shall be located such that doors cannot swing within 12 inches (305 mm) horizontally of the vent terminal. Door stops or closures shall not be installed to obtain this clearance.

SECTION 2427 **VENTING OF APPLIANCES**

2427.1 General. The venting of appliances shall be in accordance with Sections 2427.2 through 2427.16.

2427.2 Venting systems required. Except as permitted in Sections 2425.8, 2427.2.1 and 2427.2.2, all appliances shall be connected to venting systems.

2427.2.1 Direct-vent appliances. Listed direct-vent appliances shall be installed in accordance with the manufacturer's instructions and Section 2427.8, Item 3.

2427.2.2 Appliances with integral vents. Appliances incorporating integral venting means shall be installed in accordance with the manufacturer's instructions and Section 2427.8, Items 1 and 2.

2427.3 Design and construction. Venting systems shall be designed and constructed so as to convey all flue and vent gases to the outdoors.

2427.3.1 Appliance draft requirements. A venting system shall satisfy the draft requirements of the appliance in accordance with the manufacturer's instructions.

2427.3.2 Design and construction. Appliances required to be vented shall be connected to a venting system designed and installed in accordance with the provisions of Sections 2427.4 through 2427.16.

2427.3.3 Mechanical draft systems. Mechanical draft systems shall comply with the following:

1. Mechanical draft systems shall be listed in accordance with UL 378 and shall be installed in accordance with the manufacturer's instructions for both the appliance and the mechanical draft system.
2. Appliances requiring venting shall be permitted to be vented by means

- of mechanical draft systems of either forced or induced draft design.
3. Forced draft systems and all portions of induced draft systems under positive pressure during operation shall be designed and installed so as to prevent leakage of flue or vent gases into a building.
 4. Vent connectors serving appliances vented by natural draft shall not be connected into any portion of mechanical draft systems operating under positive pressure.
 5. Where a mechanical draft system is employed, provisions shall be made to prevent the flow of gas to the main burners when the draft system is not performing so as to satisfy the operating requirements of the appliance for safe performance.
 6. The exit terminals of mechanical draft systems shall be not less than 7 feet (2134 mm) above finished ground level where located adjacent to public walkways and shall be located as specified in Section 2427.8, Items 1 and 2.

2427.3.4 Air ducts and furnace plenums. Venting systems shall not extend into or pass through any fabricated air duct or furnace plenum.

2427.3.5 Above-ceiling air-handling spaces. Where a venting system passes through an above-ceiling air-handling space or other non-ducted portion of an air-handling system, the venting system shall conform to one of the following requirements:

1. The venting system shall be a listed special gas vent; other venting system serving a Category III or Category IV appliance; or other positive pressure vent, with joints sealed in accordance with the appliance or vent manufacturer's instructions.
2. The venting system shall be installed such that fittings and joints between sections are not installed in the above-ceiling space.
3. The venting system shall be installed in a conduit or enclosure with sealed joints separating the interior of the conduit or enclosure from the ceiling space.

2427.4 Type of venting system to be used. The type of venting system to be used shall be in accordance with Table 2427.4.

TABLE 2427.4
TYPE OF VENTING SYSTEM TO BE USED

<u>APPLIANCES</u>	<u>TYPE OF VENTING SYSTEM</u>
<u>Listed Category I appliances</u> <u>Listed appliances equipped</u> <u>with draft hood</u> <u>Appliances listed for use with</u> <u>Type B gas vent</u>	<u>Type B gas vent (Section 2427.6)</u> <u>Chimney (Section 2427.5)</u> <u>Single-wall metal pipe (Section 2427.7)</u> <u>Listed chimney lining system for gas venting (Section 2427.5.2)</u> <u>Special gas vent listed for these appliances (Section 2427.4.2)</u>
<u>Listed vented wall furnaces</u>	<u>Type B-W gas vent (Sections 2427.6, 2436)</u>
<u>Category II, Category III and</u> <u>Category IV appliances</u>	<u>As specified or furnished by manufacturers of</u> <u>listed appliances (Sections 2427.4.1, 2427.4.2)</u>
<u>Unlisted appliances</u>	<u>Chimney (Section 2427.5)</u>
<u>Decorative appliances in vented</u> <u>fireplaces</u>	<u>Chimney</u>
<u>Direct-vent appliances</u>	<u>See Section 2427.2.1</u>
<u>Appliances with integral vent</u>	<u>See Section 2427.2.2</u>

2427.4.1 Plastic piping. Where plastic piping is used to vent an appliance, the appliance shall be listed for use with such venting materials and the appliance manufacturer's installation instructions shall identify the specific plastic piping material. The plastic pipe venting materials shall be labeled in accordance with the product standards specified by the appliance manufacturer or shall be listed in accordance with UL 1738.

2427.4.1.1 Plastic vent joints. Plastic pipe and fittings used to vent appliances shall be installed in accordance with the appliance manufacturer's instructions. Plastic pipe venting materials listed and labeled in accordance with UL 1738 shall be installed in accordance with the vent manufacturer's instructions. Where a primer is required, it shall be of a contrasting color.

2427.4.2 Special gas vent. Special gas vent shall be listed and labeled in accordance with UL 1738 and installed in accordance with the special gas vent manufacturer's instructions.

2427.5 Masonry, metal and factory-built chimneys. Masonry, metal and factory-built chimneys shall comply with Sections 2427.5.1 through 2427.5.10.

2427.5.1 Factory-built chimneys. Factory-built chimneys shall be listed in accordance with UL 103 and installed in accordance with the manufacturer's instructions. Factory-built chimneys used to vent appliances that operate at a positive vent pressure shall be listed for such application.

2427.5.2 Masonry chimneys. Masonry chimneys shall be built and installed in accordance with NFPA 211 and shall be lined with an approved clay flue

lining, a chimney lining system listed and labeled in accordance with UL 1777 or other approved material that will resist corrosion, erosion, softening or cracking from vent gases at temperatures up to 1,800°F (982°C).

Exception: Masonry chimney flues serving listed gas appliances with draft hoods, Category I appliances and other gas appliances listed for use with Type B vents shall be permitted to be lined with a chimney lining system specifically listed for use only with such appliances. The liner shall be installed in accordance with the liner manufacturer's instructions. A permanent identifying label shall be attached at the point where the connection is to be made to the liner. The label shall read: "This chimney liner is for appliances that burn gas only. Do not connect to solid or liquid fuel-burning appliances or incinerators."

2427.5.3 Chimney termination. Chimneys for residential-type or low-heat appliances shall extend not less than 3 feet (914 mm) above the highest point where they pass through a roof of a building and not less than 2 feet (610 mm) higher than any portion of a building within a horizontal distance of 10 feet (3048 mm). Chimneys for medium-heat appliances shall extend not less than 10 feet (3048 mm) higher than any portion of any building within 25 feet (7620 mm). Chimneys shall extend not less than 5 feet (1524 mm) above the highest connected appliance draft hood outlet or flue collar. Decorative shrouds shall not be installed at the termination of factory-built chimneys except where such shrouds are listed and labeled for use with the specific factory-built chimney system and are installed in accordance with the manufacturer's instructions.

2427.5.4 Size of chimneys. The effective area of a chimney venting system serving listed appliances with draft hoods, Category I appliances, and other appliances listed for use with Type B vents shall be determined in accordance with one of the following methods:

1. The provisions of Section 2428.
2. For sizing an individual chimney venting system for a single appliance with a draft hood, the effective areas of the vent connector and chimney flue shall be not less than the area of the appliance flue collar or draft hood outlet, nor greater than seven times the draft hood outlet area.
3. For sizing a chimney venting system connected to two appliances with draft hoods, the effective area of the chimney flue shall be not less than the area of the larger draft hood outlet plus 50 percent of the area of the smaller draft hood outlet, nor greater than seven times the smallest draft hood outlet area.
4. Chimney venting systems using mechanical draft shall be sized in accordance with approved engineering methods.

5. Other approved engineering methods.

2427.5.5 Inspection of chimneys. Before replacing an existing appliance or connecting a vent connector to a chimney, the chimney passageway shall be examined to ascertain that it is clear and free of obstructions and it shall be cleaned if previously used for venting solid or liquid fuel-burning appliances or fireplaces.

2427.5.5.1 Chimney lining. Chimneys shall be lined in accordance with NFPA 211.

Exception: Where an existing chimney complies with Sections 2427.5.5 through 2427.5.5.3 and its sizing is in accordance with Section 2427.5.4, its continued use shall be allowed where the appliance vented by such chimney is replaced by an appliance of similar type, input rating and efficiency.

2427.5.5.2 Cleanouts. Cleanouts shall be examined and where they do not remain tightly closed when not in use, they shall be repaired or replaced.

2427.5.5.3 Unsafe chimneys. Where inspection reveals that an existing chimney is not safe for the intended application, it shall be repaired, rebuilt, lined, relined or replaced with a vent or chimney to conform to NFPA 211 and it shall be suitable for the appliances to be vented.

2427.5.6 Chimneys serving appliances burning other fuels. Chimneys serving appliances burning other fuels shall comply with Sections 2427.5.6.1 through 2427.5.6.4.

2427.5.6.1 Solid fuel-burning appliances. An appliance shall not be connected to a chimney flue serving a separate appliance designed to burn solid fuel.

2427.5.6.2 Liquid fuel-burning appliances. Where one chimney flue serves gas appliances and liquid fuel-burning appliances, the appliances shall be connected through separate openings or shall be connected through a single opening where joined by a suitable fitting located as close as practical to the chimney. Where two or more openings are provided into one chimney flue, they shall be at different levels. Where the appliances are automatically controlled, they shall be equipped with safety shutoff devices.

2427.5.6.3 Combination gas- and solid fuel-burning appliances. A

combination gas- and solid fuel-burning appliance shall be permitted to be connected to a single chimney flue where equipped with a manual reset device to shut off gas to the main burner in the event of sustained backdraft or flue gas spillage. The chimney flue shall be sized to properly vent the appliance.

2427.5.6.4 Combination gas- and oil fuel-burning appliances. Where a single chimney flue serves a listed combination gas- and oil fuel-burning appliance, such flue shall be sized in accordance with the appliance manufacturer's instructions.

2427.5.7 Support of chimneys. All portions of chimneys shall be supported for the design and weight of the materials employed. Factory-built chimneys shall be supported and spaced in accordance with the manufacturer's installation instructions.

2427.5.8 Cleanouts. Where a chimney that formerly carried flue products from liquid or solid fuel- burning appliances is used with an appliance using fuel gas, an accessible cleanout shall be provided. The cleanout shall have a tight-fitting cover and be installed so its upper edge is not less than 6 inches (152 mm) below the lower edge of the lowest chimney inlet opening.

2427.5.9 Space surrounding lining or vent. The remaining space surrounding a chimney liner, gas vent, special gas vent or plastic piping installed within a masonry chimney flue shall not be used to vent another appliance. The insertion of another liner or vent within the chimney as provided in this code and the liner or vent manufacturer's instructions shall not be prohibited.

The remaining space surrounding a chimney liner, gas vent, special gas vent or plastic piping installed within a masonry, metal or factory-built chimney shall not be used to supply combustion air. Such space shall not be prohibited from supplying combustion air to direct-vent appliances designed for installation in a solid fuel-burning fireplace and installed in accordance with the manufacturer's instructions.

2427.5.10 Insulation shield. Where a factory-built chimney passes through insulated assemblies, an insulation shield constructed of steel having a thickness of not less than 0.0187 inch (0.475 mm) (nominal 26 gage) shall be installed to provide clearance between the chimney and the insulation material. The clearance shall be not less than the clearance to combustibles specified by the chimney manufacturer's installation instructions. Where chimneys pass through attic space, the shield shall terminate not less than 2 inches (51 mm)

above the installation materials and shall be secured in place to prevent displacement. Insulation shields provided as part of a listed chimney system shall be installed in accordance with the manufacturer's installation instructions.

2427.6 Gas vents. Gas vents shall comply with Sections 2427.6.1 through 2427.6.12. (See Section 2403, General Definitions.)

2427.6.1 Materials. Type B and BW gas vents shall be listed in accordance with UL 441. Vents for listed combination gas- and oil-burning appliances shall be listed in accordance with UL 641.

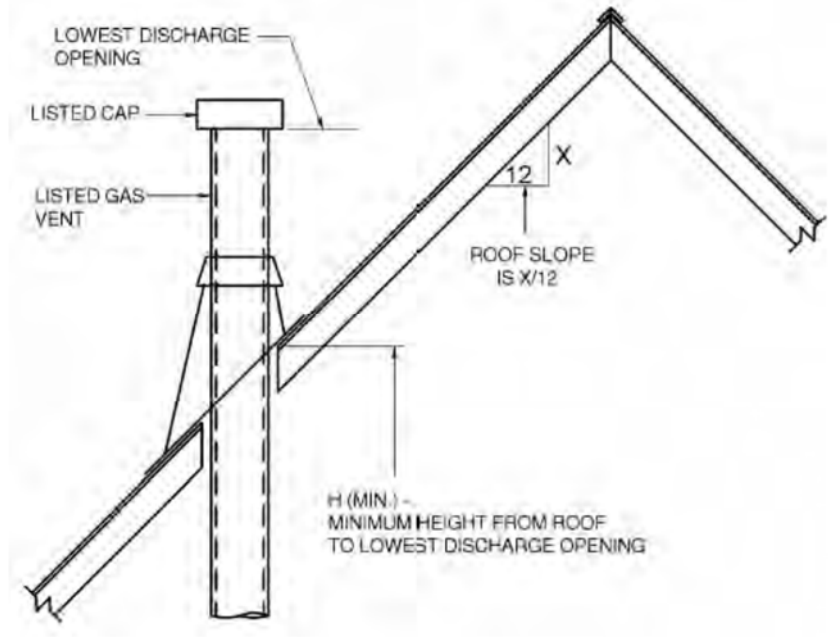
2427.6.2 Installation, general. Gas vents shall be installed in accordance with the manufacturer's instructions.

2427.6.3 Type B-W vent capacity. A Type B- W gas vent shall have a listed capacity not less than that of the listed vented wall furnace to which it is connected.

2427.6.4 Gas vent terminations. A gas vent shall terminate in accordance with one of the following:

1. Gas vents that are 12 inches (305 mm) or less in size and located not less than 8 feet (2438 mm) from a vertical wall or similar obstruction shall terminate above the roof in accordance with Figure 2427.6.3.
2. Gas vents that are over 12 inches (305 mm) in size or are located less than 8 feet (2438 mm) from a vertical wall or similar obstruction shall terminate not less than 2 feet (610 mm) above the highest point where they pass through the roof and not less than 2 feet (610 mm) above any portion of a building within 10 feet (3048 mm) horizontally.
3. As provided for direct-vent systems in Section 2427.2.1.
4. As provided for appliances with integral vents in Section 2427.2.2.
5. As provided for mechanical draft systems in Section 2427.3.3.

2427.6.4.1 Decorative shrouds. Decorative shrouds shall not be installed at the termination of gas vents except where such shrouds are listed for use with the specific gas venting system and are installed in accordance with manufacturer's instructions.



ROOF SLOPE	H (minimum) ft
Flat to 6/12	<u>1.0</u>
Over 6/12 to 7/12	<u>1.25</u>
Over 7/12 to 8/12	<u>1.5</u>
Over 8/12 to 9/12	<u>2.0</u>
Over 9/12 to 10/12	<u>2.5</u>
Over 10/12 to 11/12	<u>3.25</u>
Over 11/12 to 12/12	<u>4.0</u>
Over 12/12 to 14/12	<u>5.0</u>
Over 14/12 to 16/12	<u>6.0</u>
Over 16/12 to 18/12	<u>7.0</u>
Over 18/12 to 20/12	<u>7.5</u>
Over 20/12 to 21/12	<u>8.0</u>

For SI: 1 inch = 25.4 mm, 1 foot = 304.8 mm.

FIGURE 2427.6.4
TERMINATION LOCATIONS FOR GAS VENTS WITH LISTED CAPS 12 INCHES OR LESS IN SIZE NOT LESS THAN 8 FEET FROM A VERTICAL WALL

2427.6.5 Minimum height. A Type B or L gas vent shall terminate not less than 5 feet (1524 mm) in vertical height above the highest connected appliance

draft hood or flue collar. A Type B-W gas vent shall terminate not less than 12 feet (3658 mm) in vertical height above the bottom of the wall furnace.

2427.6.6 Roof terminations. Gas vents shall extend through the roof flashing, roof jack or roof thimble and terminate with a listed cap or listed roof assembly.

2427.6.7 Forced air inlets. Gas vents shall terminate not less than 3 feet (914 mm) above any forced air inlet located within 10 feet (3048 mm).

2427.6.8 Exterior wall penetrations. A gas vent extending through an exterior wall shall not terminate adjacent to the wall or below eaves or parapets, except as provided in Sections 2427.2.1 and 2427.3.3.

2427.6.9 Size of gas vents. Venting systems shall be sized and constructed in accordance with Sections 2427.6.9.1 through 2427.6.9.4 and the appliance manufacturer's installation instructions.

2427.6.9.1 Category I appliances. The sizing of natural draft venting systems serving one or more listed appliances equipped with a draft hood or appliances listed for use with Type B gas vent, installed in a single story of a building, shall be in accordance with one of the following methods:

1. The provisions of Section 2428.
2. For sizing an individual gas vent for a single, draft-hood-equipped appliance, the effective area of the vent connector and the gas vent shall be not less than the area of the appliance draft hood outlet, nor greater than seven times the draft hood outlet area.
3. For sizing a gas vent connected to two appliances with draft hoods, the effective area of the vent shall be not less than the area of the larger draft hood outlet plus 50 percent of the area of the smaller draft hood outlet, nor greater than seven times the smaller draft hood outlet area.
4. Approved engineering practices.

2427.6.9.2 Vent offsets. Type B and L vents sized in accordance with Item 2 or 3 of Section G2427.6.8.1 shall extend in a generally vertical direction with offsets not exceeding 45 degrees (0.79 rad), except that a vent system having not more than one 60-degree (1.04 rad) offset shall be permitted. Any angle greater than 45 degrees (0.79 rad) from the vertical is considered horizontal. The total horizontal distance of a vent plus the horizontal vent connector serving draft-hood-equipped appliances shall be not greater than 75 percent of the vertical height of the vent.

2427.6.9.3 Category II, III and IV appliances. The sizing of gas vents for Category II, III and IV appliances shall be in accordance with the appliance manufacturer's instructions. The sizing of plastic pipe that is specified by the appliance manufacturer as a venting material for Category II, III and IV appliances, shall be in accordance with the manufacturer's instructions.

2427.6.9.4 Mechanical draft. Chimney venting systems using mechanical draft shall be sized in accordance with approved engineering methods.

2427.6.10 Support of gas vents. Gas vents shall be supported and spaced in accordance with the manufacturer's installation instructions.

2427.6.11 Marking. In those localities where solid and liquid fuels are used extensively, gas vents shall be permanently identified by a label attached to the wall or ceiling at a point where the vent connector enters the gas vent. The determination of where such localities exist shall be made by the code official. The label shall read:

"This gas vent is for appliances that burn gas. Do not connect to solid or liquid fuel-burning appliances or incinerators."

2427.6.12 Fastener penetrations. Screws, rivets and other fasteners shall not penetrate the inner wall of double-wall gas vents, except at the transition from an appliance draft hood outlet, a flue collar or a single-wall metal connector to a double-wall vent.

2427.7 Single-wall metal pipe. Single-wall metal pipe vents shall comply with Sections 2427.7.1 through 2427.7.13.

2427.7.1 Construction. Single-wall metal pipe shall be constructed of galvanized sheet steel not less than 0.0304 inch (0.7 mm) thick, or other approved, non-combustible, corrosion-resistant material.

2427.7.2 Cold climate. Uninsulated single-wall metal pipe shall not be used outdoors for venting appliances in regions where the 99-percent winter design temperature is below 32°F (0°C).

2427.7.3 Termination. Single-wall metal pipe shall terminate not less than 5 feet (1524 mm) in vertical height above the highest connected appliance draft hood outlet or flue collar. Single-wall metal pipe shall extend not less than 2

feet (610 mm) above the highest point where it passes through a roof of a building and not less than 2 feet (610 mm) higher than any portion of a building within a horizontal distance of 10 feet (3048 mm). An approved cap or roof assembly shall be attached to the terminus of a single-wall metal pipe.

2427.7.4 Limitations of use. Single-wall metal pipe shall be used only for runs directly from the space in which the appliance is located through the roof or exterior wall to the outdoor atmosphere.

2427.7.5 Roof penetrations. A pipe passing through a roof shall extend without interruption through the roof flashing, roof jack or roof thimble. Where a single-wall metal pipe passes through a roof constructed of combustible material, a noncombustible, non-ventilating thimble shall be used at the point of passage. The thimble shall extend not less than 18 inches (457 mm) above and 6 inches (152 mm) below the roof with the annular space open at the bottom and closed only at the top. The thimble shall be sized in accordance with Section 2427.7.7.

2427.7.6 Installation. Single-wall metal pipe shall not originate in any unoccupied attic or concealed space and shall not pass through any attic, inside wall, concealed space, or floor. The installation of a single-wall metal pipe through an exterior combustible wall shall comply with Section 2427.7.7.

2427.7.7 Single-wall penetrations of combustible walls. A single-wall metal pipe shall not pass through a combustible exterior wall unless guarded at the point of passage by a ventilated metal thimble not smaller than the following:

1. For listed appliances with draft hoods and appliances listed for use with Type B gas vents, the thimble shall be not less than 4 inches (102 mm) larger in diameter than the metal pipe. Where there is a run of not less than 6 feet (1829 mm) of metal pipe in the open between the draft hood outlet and the thimble, the thimble shall be permitted to be not less than 2 inches (51 mm) larger in diameter than the metal pipe.
2. For unlisted appliances having draft hoods, the thimble shall be not less than 6 inches (152 mm) larger in diameter than the metal pipe.
3. For residential and low-heat appliances, the thimble shall be not less than 12 inches (305 mm) larger in diameter than the metal pipe.

Exception: In lieu of thimble protection, all combustible material in the wall shall be removed a sufficient distance from the metal pipe to provide the specified clearance from such metal pipe to combustible material. Any material used to close up such opening shall be noncombustible.

2427.7.8 Clearances. Minimum clearances from single-wall metal pipe to combustible material shall be in accordance with Table 2427.10.5. The clearance from single-wall metal pipe to combustible material shall be permitted to be reduced where the combustible material is protected as specified for vent connectors in Table 2409.2.

2427.7.9 Size of single-wall metal pipe. A venting system constructed of single-wall metal pipe shall be sized in accordance with one of the following methods and the appliance manufacturer's instructions:

1. For a draft-hood-equipped appliance, in accordance with Section 2428.
2. For a venting system for a single appliance with a draft hood, the areas of the connector and the pipe each shall be not less than the area of the appliance flue collar or draft hood outlet, whichever is smaller. The vent area shall be not greater than seven times the draft hood outlet area.
3. Other approved engineering methods.

2427.7.10 Pipe geometry. Any shaped single-wall metal pipe shall be permitted to be used, provided that its equivalent effective area is equal to the effective area of the round pipe for which it is substituted, and provided that the minimum internal dimension of the pipe is not less than 2 inches (51 mm).

2427.7.11 Termination capacity. The vent cap or a roof assembly shall have a venting capacity of not less than that of the pipe to which it is attached.

2427.7.12 Support of single-wall metal pipe. All portions of single-wall metal pipe shall be supported for the design and weight of the material employed.

2427.7.13 Marking. Single-wall metal pipe shall comply with the marking provisions of Section 2427.6.10.

2427.8 Venting system termination location. The location of venting system terminations shall comply with the following (see Appendix C):

1. A mechanical draft venting system shall terminate not less than 3 feet (914 mm) above any forced-air inlet located within 10 feet (3048 mm).

Exceptions:

1. This provision shall not apply to the combustion air intake of a direct-vent appliance.
 2. This provision shall not apply to the separation of the integral outdoor air inlet and flue gas discharge of listed outdoor appliances.
2. A mechanical draft venting system, excluding direct-vent appliances, shall

- terminate not less than 4 feet (1219 mm) below, 4 feet (1219 mm) horizontally from, or 1 foot (305 mm) above any door, operable window or gravity air inlet into any building. The bottom of the vent terminal shall be located not less than 12 inches (305 mm) above finished ground level.
3. The clearances for through-the-wall, direct-vent terminals shall be in accordance with Table 2427.8.
 4. Through-the-wall vents for Category II and IV appliances and non-categorized condensing appliances shall not terminate over public walkways or over an area where condensate or vapor could create a nuisance or hazard or could be detrimental to the operation of regulators, relief valves or other equipment. Where local experience indicates that condensate is a problem with Category I and III appliances, this provision shall also apply. Drains for condensate shall be installed in accordance with the appliance and vent manufacturer's instructions.
 5. Vent systems for Category IV appliances that terminate through an outside wall of a building and discharge flue gases perpendicular to the adjacent wall shall be located not less than 10 feet (3048 mm) horizontally from an operable opening in an adjacent building. This requirement shall not apply to vent terminals that are 2 feet (607 mm) or more above or 25 feet (7620 mm) or more below operable openings.

TABLE 2427.8
THROUGH-THE-WALL, DIRECT-VENT TERMINATION CLEARANCES

<u>DIRECT-VENT APPLIANCE INPUT RATING (Btu/hr)</u>	<u>THROUGH-THE-WALL VENT TERMINAL CLEARANCE FROM ANY AIR OPENING INTO THE BUILDING (inches)</u>
<u>< 10,000</u>	<u>6</u>
<u>≥ 10,000 < 50,000</u>	<u>9</u>
<u>≥ 50,000 < 150,000</u>	<u>12</u>
<u>> 150,000</u>	<u>In accordance with the appliance manufacturer's instructions and not less than the clearances specified in Section 2427.8, Item 2</u>

For SI: 1 inch = 25.4 mm, 1 Btu/hr = 0.2931 W.

2427.9 Condensation drainage. Provisions shall be made to collect and dispose of condensate from venting systems serving Category II and IV appliances and non-categorized condensing appliances in accordance with Section 2427.8, Item 4. Where local experience indicates that condensation is a problem, provisions shall be made to drain off and dispose of condensate from venting systems serving Category I and III appliances in accordance with Section 2427.8, Item 4.

2427.10 Vent connectors for Category I appliances. Vent connectors for Category I appliances shall comply with Sections 2427.10.1 through 2427.10.13.

2427.10.1 Where required. A vent connector shall be used to connect an appliance to a gas vent, chimney or single-wall metal pipe, except where the gas vent, chimney or single-wall metal pipe is directly connected to the appliance.

2427.10.2 Materials. Vent connectors shall be constructed in accordance with Sections 2427.10.2.1 through 2427.10.2.4.

2427.10.2.1 General. A vent connector shall be made of noncombustible corrosion-resistant material capable of withstanding the vent gas temperature produced by the appliance and of sufficient thickness to withstand physical damage.

2427.10.2.2 Vent connectors located in unconditioned areas. Where the vent connector used for an appliance having a draft hood or a Category I appliance is located in or passes through attics, crawl spaces or other unconditioned spaces, that portion of the vent connector shall be listed Type B, Type L or listed vent material having equivalent insulation properties.

Exception: Single-wall metal pipe located within the exterior walls of the building in areas having a local 99-percent winter design temperature of 5°F (-15°C) or higher shall be permitted to be used in unconditioned spaces other than attics and crawl spaces.

2427.10.2.3 Residential-type appliance connectors. Where vent connectors for residential-type appliances are not installed in attics or other unconditioned spaces, connectors for listed appliances having draft hoods, appliances having draft hoods and equipped with listed conversion burners and Category I appliances shall be one of the following:

1. Type B or L vent material.
2. Galvanized sheet steel not less than 0.018 inch (0.46 mm) thick.
3. Aluminum (1100 or 3003 alloy or equivalent) sheet not less than 0.027 inch (0.69 mm) thick.
4. Stainless steel sheet not less than 0.012 inch (0.31 mm) thick.
5. Smooth interior wall metal pipe having resistance to heat and corrosion equal to or greater than that of Item 2, 3 or 4.
6. A listed vent connector. Vent connectors shall not be covered with insulation.

Exception: Listed insulated vent connectors shall be installed in

accordance with the manufacturer's instructions.

2427.10.2.4 Low-heat appliance. A vent connector for a nonresidential, low-heat appliance shall be a factory-built chimney section or steel pipe having resistance to heat and corrosion equivalent to that for the appropriate galvanized pipe as specified in Table 2427.10.2.4. Factory-built chimney sections shall be joined together in accordance with the chimney manufacturer's instructions.

TABLE 2427.10.2.4
MINIMUM THICKNESS FOR GALVANIZED STEEL
VENT CONNECTORS FOR LOW-HEAT APPLIANCES

<u>DIAMETER OF CONNECTOR</u> <u>(inches)</u>	<u>MINIMUM THICKNESS</u> <u>(inch)</u>
<u>Less than 6</u>	<u>0.019</u>
<u>6 to less than 10</u>	<u>0.023</u>
<u>10 to 12 inclusive</u>	<u>0.029</u>
<u>14 to 16 inclusive</u>	<u>0.034</u>
<u>Over 16</u>	<u>0.056</u>

For SI: 1 inch = 25.4 mm.

2427.10.3 Size of vent connector. Vent connectors shall be sized in accordance with Sections 2427.10.3.1 through 2427.3.5.

2427.10.3.1 Single draft hood and fan-assisted. A vent connector for an appliance with a single draft hood or for a Category I fan-assisted combustion system appliance shall be sized and installed in accordance with Section 2428 or other approved engineering methods.

2427.10.3.2 Multiple draft hood. For a single appliance having more than one draft hood outlet or flue collar, the manifold shall be constructed according to the instructions of the appliance manufacturer. Where there are no instructions, the manifold shall be designed and constructed in accordance with approved engineering practices. As an alternate method, the effective area of the manifold shall equal the combined area of the flue collars or draft hood outlets and the vent connectors shall have a minimum 1-foot (305 mm) rise.

2427.10.3.3 Multiple appliances. Where two or more appliances are connected to a common vent or chimney, each vent connector shall be sized in accordance with Section 2428 or other approved engineering methods.

As an alternative method applicable only where all of the appliances are

draft hood equipped, each vent connector shall have an effective area not less than the area of the draft hood outlet of the appliance to which it is connected.

2427.10.3.4 Common connector/manifold. Where two or more appliances are vented through a common vent connector or vent manifold, the common vent connector or vent manifold shall be located at the highest level consistent with available headroom and the required clearance to combustible materials and shall be sized in accordance with Section G2428 or other approved engineering methods.

As an alternate method applicable only where there are two draft hood-equipped appliances, the effective area of the common vent connector or vent manifold and all junction fittings shall be not less than the area of the larger vent connector plus 50 percent of the area of the smaller flue collar outlet.

2427.10.3.5 Size increase. Where the size of a vent connector is increased to overcome installation limitations and obtain connector capacity equal to the appliance input, the size increase shall be made at the appliance draft hood outlet.

2427.10.4 Two or more appliances connected to a single vent or chimney. Where two or more vent connectors enter a common vent, chimney flue, or single-wall metal pipe, the smaller connector shall enter at the highest level consistent with the available headroom or clearance to combustible material. Vent connectors serving Category I appliances shall not be connected to any portion of a mechanical draft system operating under positive static pressure, such as those serving Category III or IV appliances.

2427.10.4.1 Two or more openings. Where two or more openings are provided into one chimney flue or vent, the openings shall be at different levels, or the connectors shall be attached to the vertical portion of the chimney or vent at an angle of 45 degrees (0.79 rad) or less relative to the vertical.

2427.10.5 Clearance. Minimum clearances from vent connectors to combustible material shall be in accordance with Table 2427.10.5.

Exception: The clearance between a vent connector and combustible material shall be permitted to be reduced where the combustible material is protected as specified for vent connectors in Table 2409.2.

TABLE 2427.10.5^a
CLEARANCES FOR CONNECTORS

<u>APPLIANCE</u>	<u>MINIMUM DISTANCE FROM COMBUSTIBLE MATERIAL</u>			
	<u>Listed Type B gas vent</u>	<u>Listed Type L vent material</u>	<u>Single-wall metal pipe</u>	<u>Factory-built chimney</u>
<u>Listed appliances with draft hoods and appliances listed for use with Type B gas vents</u>	<u>As listed</u>	<u>As listed</u>	<u>6 inches</u>	<u>As listed</u>
<u>Residential boilers and furnaces with listed gas conversion burner and with draft hood</u>	<u>6 inches</u>	<u>6 inches</u>	<u>9 inches</u>	<u>As listed</u>
<u>Residential appliances listed for use with Type L vents</u>	<u>Not permitted</u>	<u>As listed</u>	<u>9 inches</u>	<u>As listed</u>
<u>Listed gas-fired toilets</u>	<u>Not permitted</u>	<u>As listed</u>	<u>As listed</u>	<u>As listed</u>
<u>Unlisted residential appliances with draft hood</u>	<u>Not permitted</u>	<u>6 inches</u>	<u>9 inches</u>	<u>As listed</u>
<u>Residential and low-heat appliances other than above</u>	<u>Not permitted</u>	<u>9 inches</u>	<u>18 inches</u>	<u>As listed</u>
<u>Medium-heat appliances</u>	<u>Not permitted</u>	<u>Not permitted</u>	<u>36 inches</u>	<u>As listed</u>

For SI: 1 inch = 25.4 mm.

- a. These clearances shall apply unless the manufacturer's installation instructions for a listed appliance or connector specify different clearances, in which case the listed clearances shall apply.

2427.10.6 Joints. Joints between sections of connector piping and connections to flue collars and draft hood outlets shall be fastened by one of the following methods:

1. Sheet metal screws.
2. Vent connectors of listed vent material assembled and connected to flue collars or draft hood outlets in accordance with the manufacturer's instructions.
3. Other approved means.

2427.10.7 Slope. A vent connector shall be installed without dips or sags and shall slope upward toward the vent or chimney not less than 1/4 inch per foot (21 mm/m).

Exception: Vent connectors attached to a mechanical draft system installed in accordance with the appliance and draft system manufacturers' instructions.

2427.10.8 Length of vent connector. The maximum horizontal length of a single-wall connector shall be 75 percent of the height of the chimney or vent except for engineered systems. The maximum horizontal length of a Type B double-wall connector shall be 100 percent of the height of the chimney or vent

except for engineered systems.

2427.10.9 Support. A vent connector shall be supported for the design and weight of the material employed to maintain clearances and prevent physical damage and separation of joints.

2427.10.10 Chimney connection. Where entering a flue in a masonry or metal chimney, the vent connector shall be installed above the extreme bottom to avoid stoppage. Where a thimble or slip joint is used to facilitate removal of the connector, the connector shall be firmly attached to or inserted into the thimble or slip joint to prevent the connector from falling out. Means shall be employed to prevent the connector from entering so far as to restrict the space between its end and the opposite wall of the chimney flue (see Section 2425.9).

2427.10.11 Inspection. The entire length of a vent connector shall be provided with ready access for inspection, cleaning and replacement.

2427.10.12 Fireplaces. A vent connector shall not be connected to a chimney flue serving a fire- place unless the fireplace flue opening is permanently sealed.

2427.10.13 Passage through ceilings, floors or walls. Single-wall metal pipe connectors shall not pass through any wall, floor or ceiling except as permitted by Section 2427.7.4.

2427.11 Vent connectors for Category II, III and IV appliances. Vent connectors for Category II, III and IV appliances shall be as specified for the venting systems in accordance with Section 2427.4.

2427.12 Draft hoods and draft controls. The installation of draft hoods and draft controls shall comply with Sections 2427.12.1 through 2427.12.7.

2427.12.1 Appliances requiring draft hoods. Vented appliances shall be installed with draft hoods.

Exception: Dual oven-type combination ranges; direct-vent appliances; fan-assisted combustion system appliances; appliances requiring chimney draft for operation; single firebox boilers equipped with conversion burners with inputs greater than 400,000 Btu per hour (117 kW); appliances equipped with blast, power or pressure burners that are not listed for use with draft hoods; and appliances designed for forced venting.

2427.12.2 Installation. A draft hood supplied with or forming a part of a listed

vented appliance shall be installed without alteration, exactly as furnished and specified by the appliance manufacturer.

2427.12.2.1 Draft hood required. If a draft hood is not supplied by the appliance manufacturer where one is required, a draft hood shall be installed, shall be of a listed or approved type and, in the absence of other instructions, shall be of the same size as the appliance flue collar. Where a draft hood is required with a conversion burner, it shall be of a listed or approved type.

2427.12.2.2 Special design draft hood. Where it is determined that a draft hood of special design is needed or preferable for a particular installation, the installation shall be in accordance with the recommendations of the appliance manufacturer and shall be approved.

2427.12.3 Draft control devices. Where a draft control device is part of the appliance or is supplied by the appliance manufacturer, it shall be installed in accordance with the manufacturer's instructions. In the absence of manufacturer's instructions, the device shall be attached to the flue collar of the appliance or as near to the appliance as practical.

2427.12.4 Additional devices. Appliances requiring a controlled chimney draft shall be permitted to be equipped with a listed double-acting barometric-draft regulator installed and adjusted in accordance with the manufacturer's instructions.

2427.12.5 Location. Draft hoods and barometric draft regulators shall be installed in the same room or enclosure as the appliance in such a manner as to prevent any difference in pressure between the hood or regulator and the combustion air supply.

2427.12.6 Positioning. Draft hoods and draft regulators shall be installed in the position for which they were designed with reference to the horizontal and vertical planes and shall be located so that the relief opening is not obstructed by any part of the appliance or adjacent construction. The appliance and its draft hood shall be located so that the relief opening is accessible for checking vent operation.

2427.12.7 Clearance. A draft hood shall be located so its relief opening is not less than 6 inches (152 mm) from any surface except that of the appliance it serves and the venting system to which the draft hood is connected. Where a

greater or lesser clearance is indicated on the appliance label, the clearance shall be not less than that specified on the label. Such clearances shall not be reduced.

2427.13 Manually operated dampers. A manually operated damper shall not be placed in the vent connector for any appliance. Fixed baffles shall not be classified as manually operated dampers.

2427.14 Automatically operated vent dampers. An automatically operated vent damper shall be of a listed type.

2427.15 Obstructions. Devices that retard the flow of vent gases shall not be installed in a vent connector, chimney, or vent. The following shall not be considered as obstructions:

1. Draft regulators and safety controls specifically listed for installation in venting systems and installed in accordance with the manufacturer's instructions.
2. Approved draft regulators and safety controls that are designed and installed in accordance with approved engineering methods.
3. Listed heat reclaimers and automatically operated vent dampers installed in accordance with the manufacturer's instructions.
4. Approved economizers, heat reclaimers and recuperators installed in venting systems of appliances not required to be equipped with draft hoods, provided that the appliance manufacturer's instructions cover the installation of such a device in the venting system and performance in accordance with Sections 2427.3 and 2427.3.1 is obtained.
5. Vent dampers serving listed appliances installed in accordance with Sections 2428.2.1 and 2428.3.1 or other approved engineering methods.

2427.16 Outside wall penetrations. Where vents, including those for direct-vent appliances, penetrate outside walls of buildings, the annular spaces around such penetrations shall be permanently sealed using approved materials to prevent entry of combustion products into the building.

SECTION 2428

SIZING OF CATEGORY I APPLIANCE VENTING SYSTEMS

2428.1 Definitions. The following definitions apply to the tables in this section.

APPLIANCE CATEGORIZED VENT DIAMETER/AREA. The minimum vent area/diameter permissible for Category I appliances to maintain a nonpositive vent static pressure when tested in accordance with nationally recognized standards.

FAN-ASSISTED COMBUSTION SYSTEM. An appliance equipped with an integral mechanical means to either draw or force products of combustion through the combustion chamber or heat exchanger.

FAN Min. The minimum input rating of a Category I fan-assisted appliance attached to a vent or connector.

FAN Max. The maximum input rating of a Category I fan-assisted appliance attached to a vent or connector.

NAT Max. The maximum input rating of a Category I drafthood-equipped appliance attached to a vent or connector.

FAN + FAN. The maximum combined appliance input rating of two or more Category I fan-assisted appliances attached to the common vent.

FAN + NAT. The maximum combined appliance input rating of one or more Category I fan-assisted appliances and one or more Category I draft-hood-equipped appliances attached to the common vent.

NA. Vent configuration is not allowed due to potential for condensate formation or pressurization of the venting system, or not applicable due to physical or geometric restraints.

NAT + NAT. The maximum combined appliance input rating of two or more Category I draft-hood-equipped appliances attached to the common vent.

2428.2 Application of single-appliance vent Tables 2428.2(1) and 2428.2(2). The application of Tables 2428.2(1) and 2428.2(2) shall be subject to the requirements of Sections 2428.2.1 through 2428.2.17.

2428.2.1 Vent obstructions. These venting tables shall not be used where obstructions, as described in Section 2427.15, are installed in the venting system. The installation of vents serving listed appliances with vent dampers shall be in accordance with the appliance manufacturer's instructions or in accordance with the following:

1. The maximum capacity of the vent system shall be determined using the "NAT Max" column.
2. The minimum capacity shall be determined as if the appliance were a fan-assisted appliance, using the "FAN Min" column to determine the

minimum capacity of the vent system. Where the corresponding “FAN Min” is “NA,” the vent configuration shall not be permitted and an alternative venting configuration shall be utilized.

2428.2.2 Minimum size. Where the vent size determined from the tables is smaller than the appliance draft hood outlet or flue collar, the smaller size shall be permitted to be used provided that all of the following requirements are met:

1. The total vent height (H) is not less than 10 feet (3048 mm).
2. Vents for appliance draft hood outlets or flue collars 12 inches (305 mm) in diameter or smaller are not reduced more than one table size.
3. Vents for appliance draft hood outlets or flue collars larger than 12 inches (305 mm) in diameter are not reduced more than two table sizes.
4. The maximum capacity listed in the tables for a fan- assisted appliance is reduced by 10 percent (0.90 x maximum table capacity).
5. The draft hood outlet is greater than 4 inches (102 mm) in diameter. Do not connect a 3-inch-diameter (76 mm) vent to a 4-inch-diameter (102 mm) draft hood outlet. This provision shall not apply to fan- assisted appliances.

2428.2.3 Vent offsets. Single-appliance venting configurations with zero (0) lateral lengths in Tables 2428.2(1) and 2428.2(2) shall not have elbows in the venting system. Single-appliance venting configurations with lateral lengths include two 90-degree (1.57 rad) elbows. For each additional elbow up to and including 45 degrees (0.79 rad), the maximum capacity listed in the venting tables shall be reduced by 5 percent. For each additional elbow greater than 45 degrees (0.79 rad) up to and including 90 degrees (1.57 rad), the maximum capacity listed in the venting tables shall be reduced by 10 percent. Where multiple offsets occur in a vent, the total lateral length of all offsets combined shall not exceed that specified in Tables 2428.2(1) and 2428.2(2).

2428.2.4 Zero lateral. Zero (0) lateral (L) shall apply only to a straight vertical vent attached to a top outlet draft hood or flue collar.

2428.2.5 High-altitude installations. Sea-level input ratings shall be used when determining maximum capacity for high-altitude installation. Actual input, derated for altitude, shall be used for determining minimum capacity for high-altitude installation.

2428.2.6 Multiple input rate appliances. For appliances with more than one input rate, the minimum vent capacity (FAN Min) determined from the tables shall be less than the lowest appliance input rating, and the maximum vent

capacity (FAN Max/NAT Max) determined from the tables shall be greater than the highest appliance rating input.

2428.2.7 Liner system sizing and connections. Listed corrugated metallic chimney liner systems in masonry chimneys shall be sized by using Table 2428.2(1) or 2428.2(2) for Type B vents with the maximum capacity reduced by 20 percent ($0.80 \times$ maximum capacity) and the minimum capacity as shown in Table 2428.2(1) or 2428.2(2). Corrugated metallic liner systems installed with bends or offsets shall have their maximum capacity further reduced in accordance with Section 2428.2.3. The 20-percent reduction for corrugated metallic chimney liner systems includes an allowance for one long-radius 90-degree (1.57 rad) turn at the bottom of the liner.

Connections between chimney liners and listed double-wall connectors shall be made with listed adapters designed for such purpose.

2428.2.8 Vent area and diameter. Where the vertical vent has a larger diameter than the vent connector, the vertical vent diameter shall be used to determine the minimum vent capacity, and the connector diameter shall be used to determine the maximum vent capacity. The flow area of the vertical vent shall not exceed seven times the flow area of the listed appliance categorized vent area, flue collar area, or draft hood outlet area unless designed in accordance with approved engineering methods.

2428.2.9 Chimney and vent locations. Tables 2428.2(1) and 2428.2(2) shall be used only for chimneys and vents not exposed to the outdoors below the roof line. A Type B vent or listed chimney lining system passing through an unused masonry chimney flue shall not be considered to be exposed to the outdoors. Where vents extend outdoors above the roof more than 5 feet (1524 mm) higher than required by Figure 2427.6.4, and where vents terminate in accordance with Section 2427.6.4, Item 2, the outdoor portion of the vent shall be enclosed as required by this section for vents not considered to be exposed to the outdoors or such venting system shall be engineered. A Type B vent shall not be considered to be exposed to the outdoors where it passes through an unventilated enclosure or chase insulated to a value of not less than R-8.

2428.2.10 Corrugated vent connector size. Corrugated vent connectors shall be not smaller than the listed appliance categorized vent diameter, flue collar diameter, or draft hood outlet diameter.

2428.2.11 Vent connector size limitation. Vent connectors shall not be increased in size more than two sizes greater than the listed appliance

categorized vent diameter, flue collar diameter or draft hood outlet diameter.

2428.2.12 Component commingling. In a single run of vent or vent connector, different diameters and types of vent and connector components shall be permitted to be used, provided that all such sizes and types are permitted by the tables.

2428.2.13 Draft hood conversion accessories. Draft hood conversion accessories for use with masonry chimneys venting listed Category I fan-assisted appliances shall be listed and installed in accordance with the manufacturer's instructions for such listed accessories.

2428.2.14 Table interpolation. Interpolation shall be permitted in calculating capacities for vent dimensions that fall between the table entries.

2428.2.15 Extrapolation prohibited. Extrapolation beyond the table entries shall not be permitted.

2428.2.16 Engineering calculations. For vent heights less than 6 feet (1829 mm) and greater than shown in the tables, engineering methods shall be used to calculate vent capacities.

2428.2.17 Height entries. Where the actual height of a vent falls between entries in the height column of the applicable table in Tables 2428.2(1) and 2428.2(2), either interpolation shall be used or the lower appliance input rating shown in the table entries shall be used for FAN Max and NAT Max column values and the higher appliance input rating shall be used for the FAN Min column values.

2428.3 Application of multiple appliance vent Tables 2428.3(1) through 2428.3(4). The application of Tables 2428.3(1) through 2428.3(4) shall be subject to the requirements of Sections 2428.3.1 through 2428.3.24.

2428.3.1 Vent obstructions. These venting tables shall not be used where obstructions, as described in Section 2427.15, are installed in the venting system. The installation of vents serving listed appliances with vent dampers shall be in accordance with the appliance manufacturer's instructions or in accordance with the following:

1. The maximum capacity of the vent connector shall be determined using the NAT Max column.
2. The maximum capacity of the vertical vent or chimney shall be

determined using the FAN+NAT column where the second appliance is a fan-assisted appliance, or the NAT+NAT column where the second appliance is equipped with a draft hood.

3. The minimum capacity shall be determined as if the appliance were a fan-assisted appliance.
 - 3.1. The minimum capacity of the vent connector shall be determined using the FAN Min column.
 - 3.2. The FAN+FAN column shall be used where the second appliance is a fan-assisted appliance, and the FAN+NAT column shall be used where the second appliance is equipped with a draft hood, to determine whether the vertical vent or chimney configuration is not permitted (NA). Where the vent configuration is NA, the vent configuration shall not be permitted and an alternative venting con- figuration shall be utilized.

2428.3.2 Connector length limit. The vent connector shall be routed to the vent utilizing the shortest possible route. Except as provided in Section 2428.3.3, the maximum vent connector horizontal length shall be 1 1/2 -feet for each inch (18 mm per mm) of connector diameter as shown in Table 2428.3.2.

TABLE 2428.3.2
MAXIMUM VENT CONNECTOR LENGTH

<u>CONNECTOR DIAMETER</u> <u>(inches)</u>	<u>CONNECTOR MAXIMUM HORIZONTAL LENGTH</u> <u>(feet)</u>
<u>3</u>	<u>4 1/2</u>
<u>4</u>	<u>6</u>
<u>5</u>	<u>7 1/2</u>
<u>6</u>	<u>9</u>
<u>7</u>	<u>10 1/2</u>
<u>8</u>	<u>12</u>
<u>9</u>	<u>13 1/2</u>

For SI: 1 inch = 25.4 mm, 1 foot = 304.8 mm.

2428.3.3 Connectors with longer lengths. Connectors with longer horizontal lengths than those listed in Section 2428.3.2 are permitted under the following conditions:

1. The maximum capacity (FAN Max or NAT Max) of the vent connector shall be reduced 10 percent for each additional multiple of the length allowed by Section 2428.3.2. For example, the maximum length listed in Table 2428.3.2 for a 4-inch (102 mm) connector is 6 feet (1829 mm). With a connector length greater than 6 feet (1829 mm) but not exceeding 12 feet (3658 mm), the maximum capacity must be reduced by 10

percent ($0.90 \times$ maximum vent connector capacity). With a connector length greater than 12 feet (3658 mm), but not exceeding 18 feet (5486 mm), the maximum capacity must be reduced by 20 percent ($0.80 \times$ maximum vent capacity).

2. For a connector serving a fan-assisted appliance, the minimum capacity (FAN Min) of the connector shall be determined by referring to the corresponding single-appliance table. For Type B double-wall connectors, Table 2428.2(1) shall be used. For single-wall connectors, Table 2428.2(2) shall be used. The height (H) and lateral (L) shall be measured according to the procedures for a single-appliance vent, as if the other appliances were not present.

2428.3.4 Vent connector manifold. Where the vent connectors are combined prior to entering the vertical portion of the common vent to form a common vent manifold, the size of the common vent manifold and the common vent shall be determined by applying a 10-percent reduction ($0.90 \times$ maximum common vent capacity) to the common vent capacity part of the common vent tables. The length of the common vent connector manifold (L_m) shall not exceed $1 \frac{1}{2}$ -feet for each inch (18 mm per mm) of common vent connector manifold diameter (D).

2428.3.5 Common vertical vent offset. Where the common vertical vent is offset, the maximum capacity of the common vent shall be reduced in accordance with Section 2428.3.6. The horizontal length of the common vent offset (L_o) shall not exceed $1 \frac{1}{2}$ -feet for each inch (18 mm per mm) of common vent diameter (D). Where multiple offsets occur in a common vent, the total horizontal length of all offsets combined shall not exceed $1 \frac{1}{2}$ -feet for each inch (18 mm per mm) of the common vent diameter (D).

2428.3.6 Elbows in vents. For each elbow up to and including 45 degrees (0.79 rad) in the common vent, the maximum common vent capacity listed in the venting tables shall be reduced by 5 percent. For each elbow greater than 45 degrees (0.79 rad) up to and including 90 degrees (1.57 rad), the maximum common vent capacity listed in the venting tables shall be reduced by 10 percent.

2428.3.7 Elbows in connectors. The vent connector capacities listed in the common vent sizing tables include allowance for two 90-degree (1.57 rad) elbows. For each additional elbow up to and including 45 degrees (0.79 rad), the maximum vent connector capacity listed in the venting tables shall be reduced by 5 percent. For each elbow greater than 45 degrees (0.79 rad) up to

and including 90 degrees (1.57 rad), the maximum vent connector capacity listed in the venting tables shall be reduced by 10 percent.

2428.3.8 Common vent minimum size. The cross-sectional area of the common vent shall be equal to or greater than the cross-sectional area of the largest connector.

2428.3.9 Common vent fittings. At the point where tee or wye fittings connect to a common vent, the opening size of the fitting shall be equal to the size of the common vent. Such fittings shall not be prohibited from having reduced-size openings at the point of connection of appliance vent connectors.

2428.3.9.1 Tee and wye fittings. Tee and wye fittings connected to a common gas vent shall be considered to be part of the common gas vent and shall be constructed of materials consistent with that of the common gas vent.

2428.3.10 High-altitude installations. Sea-level input ratings shall be used when determining maximum capacity for high-altitude installation. Actual input, derated for altitude, shall be used for determining minimum capacity for high-altitude installation.

2428.3.11 Connector rise measurement. Connector rise (R) for each appliance connector shall be measured from the draft hood outlet or flue collar to the centerline where the vent gas streams come together.

2428.3.12 Vent height measurement. For multiple appliances all located on one floor, available total height (H) shall be measured from the highest draft hood outlet or flue collar up to the level of the outlet of the common vent.

2428.3.13 Vertical vent maximum size. Where two or more appliances are connected to a vertical vent or chimney, the flow area of the largest section of vertical vent or chimney shall not exceed seven times the smallest listed appliance categorized vent areas, flue collar area, or draft hood outlet area unless designed in accordance with approved engineering methods.

2428.3.14 Multiple input rate appliances. For appliances with more than one input rate, the minimum vent connector capacity (FAN Min) determined from the tables shall be less than the lowest appliance input rating, and the maximum vent connector capacity (FAN Max or NAT Max) determined from the tables shall be greater than the highest appliance input rating.

2428.3.15 Liner system sizing and connections. Listed, corrugated metallic chimney liner systems in masonry chimneys shall be sized by using Table 2428.3(1) or 2428.3(2) for Type B vents, with the maximum capacity reduced by 20 percent ($0.80 \times$ maximum capacity) and the minimum capacity as shown in Table 2428.3(1) or 2428.3(2). Corrugated metallic liner systems installed with bends or offsets shall have their maximum capacity further reduced in accordance with Sections 2428.3.5 and 2428.3.6. The 20-percent reduction for corrugated metallic chimney liner systems includes an allowance for one long-radius 90-degree (1.57 rad) turn at the bottom of the liner. Where double-wall connectors are required, tee and wye fittings used to connect to the common vent chimney liner shall be listed double-wall fittings. Connections between chimney liners and listed double-wall fittings shall be made with listed adapter fittings designed for such purpose.

2428.3.16 Chimney and vent location. Tables 2428.3(1), 2428.3(2), 2428.3(3) and 2428.3(4) shall be used only for chimneys and vents not exposed to the outdoors below the roof line. A Type B vent or listed chimney lining system passing through an unused masonry chimney flue shall not be considered to be exposed to the outdoors. Where vents extend outdoors above the roof more than 5 feet (1524 mm) higher than required by Figure 2427.6.4 and where vents terminate in accordance with Section 2427.6.4, Item 2, the outdoor portion of the vent shall be enclosed as required by this section for vents not considered to be exposed to the outdoors or such venting system shall be engineered. A Type B vent shall not be considered to be exposed to the outdoors where it passes through an unventilated enclosure or chase insulated to a value of not less than R8.

2428.3.17 Connector maximum and minimum size. Vent connectors shall not be increased in size more than two sizes greater than the listed appliance categorized vent diameter, flue collar diameter or draft hood outlet diameter. Vent connectors for draft-hood-equipped appliances shall not be smaller than the draft hood outlet diameter. Where a vent connector size(s) determined from the tables for a fan-assisted appliance(s) is smaller than the flue collar diameter, the use of the smaller size(s) shall be permitted provided that the installation complies with all of the following conditions:

1. Vent connectors for fan-assisted appliance flue collars 12 inches (305 mm) in diameter or smaller are not reduced by more than one table size [for example, 12 inches to 10 inches (305 mm to 254 mm) is a one-size reduction] and those larger than 12 inches (305 mm) in diameter are not reduced more than two table sizes [for example, 24 inches to 20 inches

- (610 mm to 508 mm) is a two-size reduction].
2. The fan-assisted appliance(s) is common vented with a draft-hood-equipped appliance(s).
 3. The vent connector has a smooth interior wall.

2428.3.18 Component commingling. Combinations of pipe sizes and combinations of single-wall and double-wall metal pipe shall be allowed within any connector run(s) or within the common vent, provided that all of the appropriate tables permit all of the desired sizes and types of pipe, as if they were used for the entire length of the subject connector or vent. Where single-wall and Type B double-wall metal pipes are used for vent connectors within the same venting system, the common vent must be sized using Table 2428.3(2) or 2428.3(4), as appropriate.

2428.3.19 Draft hood conversion accessories. Draft hood conversion accessories for use with masonry chimneys venting listed Category I fan-assisted appliances shall be listed and installed in accordance with the manufacturer's instructions for such listed accessories.

2428.3.20 Multiple sizes permitted. Where a table permits more than one diameter of pipe to be used for a connector or vent, all of the permitted sizes shall be permitted to be used.

2428.3.21 Table interpolation. Interpolation shall be permitted in calculating capacities for vent dimensions that fall between table entries.

2428.3.22 Extrapolation prohibited. Extrapolation beyond the table entries shall not be permitted.

2428.3.23 Engineering calculations. For vent heights less than 6 feet (1829 mm) and greater than shown in the tables, engineering methods shall be used to calculate vent capacities.

2428.3.24 Height entries. Where the actual height of a vent falls between entries in the height column of the applicable table in Tables 2428.3(1) through 2428.3(4), either interpolation shall be used or the lower appliance input rating shown in the table shall be used for FAN Max and NAT Max column values and the higher appliance input rating shall be used for the FAN Min column values.

TABLE 2428.2(1)
TYPE B DOUBLE-WALL GAS VENT

Number of Appliances	Single
Appliance Type	Category I
Appliance Vent connection	Connected directly to vent

HEIGHT (H) (feet)	LATERAL (L) (feet)	VENT DIAMETER—(D) inches																				
		3			4			5			6			7			8			9		
		APPLIANCE INPUT RATING IN THOUSANDS OF BTU/H																				
		FAN		NAT	FAN		NAT	FAN		NAT	FAN		NAT	FAN		NAT	FAN		NAT	FAN		NAT
Min	Max	Max	Min	Max	Max	Min	Max	Max	Min	Max	Max	Min	Max	Max	Min	Max	Max	Min	Max	Max		
6	0	0	78	46	0	152	86	0	251	141	0	375	205	0	524	285	0	698	370	0	897	470
	2	13	51	36	18	97	67	27	157	105	32	232	157	44	321	217	53	425	285	63	543	370
	4	21	49	34	30	94	64	39	153	103	50	227	153	66	316	211	79	419	279	93	536	362
	6	25	46	32	36	91	61	47	149	100	59	223	149	78	310	205	93	413	273	110	530	354
8	0	0	84	50	0	165	94	0	276	155	0	415	235	0	583	320	0	780	415	0	1,006	537
	2	12	57	40	16	109	75	25	178	120	28	263	180	42	365	247	50	483	322	60	619	418
	5	23	53	38	32	103	71	42	171	115	53	255	173	70	356	237	83	473	313	99	607	407
	8	28	49	35	39	98	66	51	164	109	64	247	165	84	347	227	99	463	303	117	596	396
10	0	0	88	53	0	175	100	0	295	166	0	447	255	0	631	345	0	847	450	0	1,096	585
	2	12	61	42	17	118	81	23	194	129	26	289	195	40	402	273	48	533	355	57	684	457
	5	23	57	40	32	113	77	41	187	124	52	280	188	68	392	263	81	522	346	95	671	446
	10	30	51	36	41	104	70	54	176	115	67	267	175	88	376	245	104	504	330	122	651	427
15	0	0	94	58	0	191	112	0	327	187	0	502	285	0	716	390	0	970	525	0	1,263	682
	2	11	69	48	15	136	93	20	226	150	22	339	225	38	475	316	45	633	414	53	815	544
	5	22	65	45	30	130	87	39	219	142	49	330	217	64	463	300	76	620	403	90	800	529
	10	29	59	41	40	121	82	51	206	135	64	315	208	84	445	288	99	600	386	116	777	507
	15	35	53	37	48	112	76	61	195	128	76	301	198	98	429	275	115	580	373	134	755	491
20	0	0	97	61	0	202	119	0	349	202	0	540	307	0	776	430	0	1,057	575	0	1,384	752
	2	10	75	51	14	149	100	18	250	166	20	377	249	33	531	346	41	711	470	50	917	612
	5	21	71	48	29	143	96	38	242	160	47	367	241	62	519	337	73	697	460	86	902	599
	10	28	64	44	38	133	89	50	229	150	62	351	228	81	499	321	95	675	443	112	877	576
	15	34	58	40	46	124	84	59	217	142	73	337	217	94	481	308	111	654	427	129	853	557
	20	48	52	35	55	116	78	69	206	134	84	322	206	107	464	295	125	634	410	145	830	537

TABLE 2428.2(1)
TYPE B DOUBLE-WALL GAS VENT
(continued)

Number of Appliances	Single
Appliance Type	Category I
Appliance Vent connection	Connected directly to vent

HEIGHT (H) (feet)	LATERAL (L) (feet)	VENT DIAMETER—(D) inches																				
		3			4			5			6			7			8			9		
		APPLIANCE INPUT RATING IN THOUSANDS OF BTU/H																				
		FAN		NAT	FAN		NAT	FAN		NAT	FAN		NAT	FAN		NAT	FAN		NAT	FAN		NAT
Min	Max	Max	Min	Max	Max	Min	Max	Max	Min	Max	Max	Min	Max	Max	Min	Max	Max	Min	Max	Max		
30	0	<u>0</u>	<u>100</u>	<u>64</u>	<u>0</u>	<u>213</u>	<u>128</u>	<u>0</u>	<u>374</u>	<u>220</u>	<u>0</u>	<u>587</u>	<u>336</u>	<u>0</u>	<u>853</u>	<u>475</u>	<u>0</u>	<u>1,173</u>	<u>650</u>	<u>0</u>	<u>1,548</u>	<u>855</u>
	2	<u>9</u>	<u>81</u>	<u>56</u>	<u>13</u>	<u>166</u>	<u>112</u>	<u>14</u>	<u>283</u>	<u>185</u>	<u>18</u>	<u>432</u>	<u>280</u>	<u>27</u>	<u>613</u>	<u>394</u>	<u>33</u>	<u>826</u>	<u>535</u>	<u>42</u>	<u>1,072</u>	<u>700</u>
	5	<u>21</u>	<u>77</u>	<u>54</u>	<u>28</u>	<u>160</u>	<u>108</u>	<u>36</u>	<u>275</u>	<u>176</u>	<u>45</u>	<u>421</u>	<u>273</u>	<u>58</u>	<u>600</u>	<u>385</u>	<u>69</u>	<u>811</u>	<u>524</u>	<u>82</u>	<u>1,055</u>	<u>688</u>
	10	<u>27</u>	<u>70</u>	<u>50</u>	<u>37</u>	<u>150</u>	<u>102</u>	<u>48</u>	<u>262</u>	<u>171</u>	<u>59</u>	<u>405</u>	<u>261</u>	<u>77</u>	<u>580</u>	<u>371</u>	<u>91</u>	<u>788</u>	<u>507</u>	<u>107</u>	<u>1,028</u>	<u>668</u>
	15	<u>33</u>	<u>64</u>	<u>NA</u>	<u>44</u>	<u>141</u>	<u>96</u>	<u>57</u>	<u>249</u>	<u>163</u>	<u>70</u>	<u>389</u>	<u>249</u>	<u>90</u>	<u>560</u>	<u>357</u>	<u>105</u>	<u>765</u>	<u>490</u>	<u>124</u>	<u>1,002</u>	<u>648</u>
	20	<u>56</u>	<u>58</u>	<u>NA</u>	<u>53</u>	<u>132</u>	<u>90</u>	<u>66</u>	<u>237</u>	<u>154</u>	<u>80</u>	<u>374</u>	<u>237</u>	<u>102</u>	<u>542</u>	<u>343</u>	<u>119</u>	<u>743</u>	<u>473</u>	<u>139</u>	<u>977</u>	<u>628</u>
	30	<u>NA</u>	<u>NA</u>	<u>NA</u>	<u>73</u>	<u>113</u>	<u>NA</u>	<u>88</u>	<u>214</u>	<u>NA</u>	<u>104</u>	<u>346</u>	<u>219</u>	<u>131</u>	<u>507</u>	<u>321</u>	<u>149</u>	<u>702</u>	<u>444</u>	<u>171</u>	<u>929</u>	<u>594</u>
50	0	<u>0</u>	<u>101</u>	<u>67</u>	<u>0</u>	<u>216</u>	<u>134</u>	<u>0</u>	<u>397</u>	<u>232</u>	<u>0</u>	<u>633</u>	<u>363</u>	<u>0</u>	<u>932</u>	<u>518</u>	<u>0</u>	<u>1,297</u>	<u>708</u>	<u>0</u>	<u>1,730</u>	<u>952</u>
	2	<u>8</u>	<u>86</u>	<u>61</u>	<u>11</u>	<u>183</u>	<u>122</u>	<u>14</u>	<u>320</u>	<u>206</u>	<u>15</u>	<u>497</u>	<u>314</u>	<u>22</u>	<u>715</u>	<u>445</u>	<u>26</u>	<u>975</u>	<u>615</u>	<u>33</u>	<u>1,276</u>	<u>813</u>
	5	<u>20</u>	<u>82</u>	<u>NA</u>	<u>27</u>	<u>177</u>	<u>119</u>	<u>35</u>	<u>312</u>	<u>200</u>	<u>43</u>	<u>487</u>	<u>308</u>	<u>55</u>	<u>702</u>	<u>438</u>	<u>65</u>	<u>960</u>	<u>605</u>	<u>77</u>	<u>1,259</u>	<u>798</u>
	10	<u>26</u>	<u>76</u>	<u>NA</u>	<u>35</u>	<u>168</u>	<u>114</u>	<u>45</u>	<u>299</u>	<u>190</u>	<u>56</u>	<u>471</u>	<u>298</u>	<u>73</u>	<u>681</u>	<u>426</u>	<u>86</u>	<u>935</u>	<u>589</u>	<u>101</u>	<u>1,230</u>	<u>773</u>
	15	<u>59</u>	<u>70</u>	<u>NA</u>	<u>42</u>	<u>158</u>	<u>NA</u>	<u>54</u>	<u>287</u>	<u>180</u>	<u>66</u>	<u>455</u>	<u>288</u>	<u>85</u>	<u>662</u>	<u>413</u>	<u>100</u>	<u>911</u>	<u>572</u>	<u>117</u>	<u>1,203</u>	<u>747</u>
	20	<u>NA</u>	<u>NA</u>	<u>NA</u>	<u>50</u>	<u>149</u>	<u>NA</u>	<u>63</u>	<u>275</u>	<u>169</u>	<u>76</u>	<u>440</u>	<u>278</u>	<u>97</u>	<u>642</u>	<u>401</u>	<u>113</u>	<u>888</u>	<u>556</u>	<u>131</u>	<u>1,176</u>	<u>722</u>
	30	<u>NA</u>	<u>NA</u>	<u>NA</u>	<u>69</u>	<u>131</u>	<u>NA</u>	<u>84</u>	<u>250</u>	<u>NA</u>	<u>99</u>	<u>410</u>	<u>259</u>	<u>123</u>	<u>605</u>	<u>376</u>	<u>141</u>	<u>844</u>	<u>522</u>	<u>161</u>	<u>1,125</u>	<u>670</u>

For SI: 1 inch = 25.4 mm, 1 foot = 304.8 mm, 1 British thermal unit per hour = 0.2931 W.

TABLE 2428.2(2)
TYPE B DOUBLE-WALL GAS VENT

Number of Appliances	Single
Appliance Type	Category I
Appliance Vent connection	Single-wall metal connector

HEIGHT (H) (feet)	LATERAL (L) (feet)	VENT DIAMETER—(D) inches																											
		3			4			5			6			7			8			9			10			12			
		APPLIANCE INPUT RATING IN THOUSANDS OF BTU/H																											
		FAN		NAT		FAN		NAT		FAN		NAT		FAN		NAT		FAN		NAT		FAN		NAT		FAN		NAT	
Min	Max	Max	Min	Max	Max	Min	Max	Max	Min	Max	Max	Min	Max	Max	Min	Max	Max	Min	Max	Max	Min	Max	Max	Min	Max	Max	Min	Max	Max
6	0	38	77	45	59	151	85	85	249	140	126	373	204	165	522	284	211	695	369	267	894	469	371	1,118	569	537	1,639	849	
	2	39	51	36	60	96	66	85	156	104	123	231	156	159	320	213	201	423	284	251	541	368	347	673	453	498	979	648	
	4	NA	NA	33	74	92	63	102	152	102	146	225	152	187	313	208	237	416	277	295	533	360	409	664	443	584	971	638	
	6	NA	NA	31	83	89	60	114	147	99	163	220	148	207	307	203	263	409	271	327	526	352	449	656	433	638	962	627	
8	0	37	83	50	58	164	93	83	273	154	123	412	234	161	580	319	206	777	414	258	1,002	536	360	1,257	658	521	1,852	967	
	2	39	56	39	59	108	75	83	176	119	121	261	179	155	363	246	197	482	321	246	617	417	339	768	513	486	1,120	743	
	5	NA	NA	37	77	102	69	107	168	114	151	252	171	193	352	235	245	470	311	305	604	404	418	754	500	598	1,104	730	
	8	NA	NA	33	90	95	64	122	161	107	175	243	163	223	342	225	280	458	300	344	591	392	470	740	486	665	1,089	715	
10	0	37	87	53	57	174	99	82	293	165	120	444	254	158	628	344	202	844	449	253	1,093	584	351	1,373	718	507	2,031	1,057	
	2	39	61	41	59	117	80	82	193	128	119	287	194	153	400	272	193	531	354	242	681	456	332	849	559	475	1,242	848	
	5	52	56	39	76	111	76	105	185	122	148	277	186	190	388	261	241	518	344	299	667	443	409	834	544	584	1,224	825	
	10	NA	NA	34	97	100	68	132	171	112	188	261	171	237	369	241	296	497	325	363	643	423	492	808	520	688	1,194	788	
15	0	36	93	57	56	190	111	80	325	186	116	499	283	153	713	388	195	966	523	244	1,259	681	336	1,591	838	488	2,374	1,237	
	2	38	69	47	57	136	93	80	225	149	115	337	224	148	473	314	187	631	413	232	812	543	319	1,015	673	457	1,491	983	
	5	51	63	44	75	128	86	102	216	140	144	326	217	182	459	298	231	616	400	287	795	526	392	997	657	562	1,469	963	
	10	NA	NA	39	95	116	79	128	201	131	182	308	203	228	438	284	284	592	381	349	768	501	470	966	628	664	1,433	928	
	15	NA	NA	NA	NA	NA	72	158	186	124	220	290	192	272	418	269	334	568	367	404	742	484	540	937	601	750	1,399	894	
20	0	35	96	60	54	200	118	78	346	201	114	537	306	149	772	428	190	1,053	573	238	1,379	750	326	1,751	927	473	2,631	1,346	
	2	37	74	50	56	148	99	78	248	165	113	375	248	144	528	344	182	708	468	227	914	611	309	1,146	754	443	1,689	1,098	
	5	50	68	47	73	140	94	100	239	158	141	363	239	178	514	334	224	692	457	279	896	596	381	1,126	734	547	1,665	1,074	
	10	NA	NA	41	93	129	86	125	223	146	177	344	224	222	491	316	277	666	437	339	866	570	457	1,092	702	646	1,626	1,037	
	15	NA	NA	NA	NA	NA	80	155	208	136	216	325	210	264	469	301	325	640	419	393	838	549	526	1,060	677	730	1,587	1,005	
	20	NA	NA	NA	NA	NA	NA	186	192	126	254	306	196	309	448	285	374	616	400	448	810	526	592	1,028	651	808	1,550	973	

TABLE 2428.2(2)
TYPE B DOUBLE-WALL GAS VENT
(continued)

Number of Appliances	Single
Appliance Type	Category I
Appliance Vent connection	Single-wall metal connector

HEIGHT (H) (feet)	LATERAL (L) (feet)	VENT DIAMETER—(D) inches																												
		3		4		5		6		7		8		9		10		12												
		APPLIANCE INPUT RATING IN THOUSANDS OF BTU/H																												
		FAN		NAT		FAN		NAT		FAN		NAT		FAN		NAT		FAN		NAT		FAN		NAT		FAN		NAT		
		Min	Max	Max	Min	Max	Max	Min	Max	Max	Min	Max	Max	Min	Max	Max	Min	Max	Max	Min	Max	Max	Min	Max	Max	Min	Max	Max	Min	Max
30	0	34	99	63	53	211	127	76	372	219	110	584	334	144	849	472	184	1,168	647	229	1,542	852	312	1,971	1,056	454	2,996	1,545		
	2	37	80	56	55	164	111	76	281	183	109	429	279	139	610	392	175	823	533	219	1,069	698	296	1,346	863	424	1,999	1,308		
	5	49	74	52	72	157	106	98	271	173	136	417	271	171	595	382	215	806	521	269	1,049	684	366	1,324	846	524	1,971	1,283		
	10	NA	NA	NA	91	144	98	122	255	168	171	397	257	213	570	367	265	777	501	327	1,017	662	440	1,287	821	620	1,927	1,234		
	15	NA	NA	NA	115	131	NA	151	239	157	208	377	242	255	547	349	312	750	481	379	985	638	507	1,251	794	702	1,884	1,205		
	20	NA	NA	NA	NA	NA	NA	181	223	NA	246	357	228	298	524	333	360	723	461	433	955	615	570	1,216	768	780	1,841	1,166		
	30	NA	NA	NA	NA	NA	NA	NA	NA	NA	NA	NA	NA	389	477	305	461	670	426	541	895	574	704	1,147	720	937	1,759	1,101		
50	0	33	99	66	51	213	133	73	394	230	105	629	361	138	928	515	176	1,292	704	220	1,724	948	295	2,223	1,189	428	3,432	1,818		
	2	36	84	61	53	181	121	73	318	205	104	495	312	133	712	443	168	971	613	209	1,273	811	280	1,615	1,007	401	2,426	1,509		
	5	48	80	NA	70	174	117	94	308	198	131	482	305	164	696	435	204	953	602	257	1,252	795	347	1,591	991	496	2,396	1,490		
	10	NA	NA	NA	89	160	NA	118	292	186	162	461	292	203	671	420	253	923	583	313	1,217	765	418	1,551	963	589	2,347	1,455		
	15	NA	NA	NA	112	148	NA	145	275	174	199	441	280	244	646	405	299	894	562	363	1,183	736	481	1,512	934	668	2,299	1,421		
	20	NA	NA	NA	NA	NA	NA	176	257	NA	236	420	267	285	622	389	345	866	543	415	1,150	708	544	1,473	906	741	2,251	1,387		
	30	NA	NA	NA	NA	NA	NA	NA	NA	NA	315	376	NA	373	573	NA	442	809	502	521	1,086	649	674	1,399	848	892	2,159	1,318		

For SI: 1 inch = 25.4 mm, 1 foot = 304.8 mm, 1 British thermal unit per hour = 0.2931 W.

TABLE 2428.3(1)
TYPE B DOUBLE-WALL VENT

Number of Appliances	Two or more
Appliances Type	Category I
Appliances Vent Connection	Type B double-wall connector

VENT CONNECTOR CAPACITY

VENT HEIGHT (H) (feet)	CONNECTOR RISE (R) (feet)	TYPE B DOUBLE-WALL VENT AND CONNECTOR DIAMETER—(D) inches																											
		3			4			5			6			7			8			9			10						
		APPLIANCE INPUT RATING LIMITS IN THOUSANDS OF BTU/H																											
		FAN		NAT		FAN		NAT		FAN		NAT		FAN		NAT		FAN		NAT		FAN		NAT		FAN		NAT	
Min		Max		Max		Min		Max		Max		Min		Max		Max		Min		Max		Max		Min		Max		Max	
6	1	22	37	26	35	66	46	46	106	72	58	164	104	77	225	142	92	296	185	109	376	237	128	466	289				
	2	23	41	31	37	75	55	48	121	86	60	183	124	79	253	168	95	333	220	112	424	282	131	526	345				
	3	24	44	35	38	81	62	49	132	96	62	199	139	82	275	189	97	363	248	114	463	317	134	575	386				
8	1	22	40	27	35	72	48	49	114	76	64	176	109	84	243	148	100	320	194	118	408	248	138	507	303				
	2	23	44	32	36	80	57	51	128	90	66	195	129	86	269	175	103	356	230	121	454	294	141	564	358				
	3	24	47	36	37	87	64	53	139	101	67	210	145	88	290	198	105	384	258	123	492	330	143	612	402				
10	1	22	43	28	34	78	50	49	123	78	65	189	113	89	257	154	106	341	200	125	436	257	146	542	314				
	2	23	47	33	36	86	59	51	136	93	67	206	134	91	282	182	109	374	238	128	479	305	149	596	372				
	3	24	50	37	37	92	67	52	146	104	69	220	150	94	303	205	111	402	268	131	515	342	152	642	417				
15	1	21	50	30	33	89	53	47	142	83	64	220	120	88	298	163	110	389	214	134	493	273	162	609	333				
	2	22	53	35	35	96	63	49	153	99	66	235	142	91	320	193	112	419	253	137	532	323	165	658	394				
	3	24	55	40	36	102	71	51	163	111	68	248	160	93	339	218	115	445	286	140	565	365	167	700	444				
20	1	21	54	31	33	99	56	46	157	87	62	246	125	86	334	171	107	436	224	131	552	285	158	681	347				
	2	22	57	37	34	105	66	48	167	104	64	259	149	89	354	202	110	463	265	134	587	339	161	725	414				
	3	23	60	42	35	110	74	50	176	116	66	271	168	91	371	228	113	486	300	137	618	383	164	764	466				
30	1	20	62	33	31	113	59	45	181	93	60	288	134	83	391	182	103	512	238	125	649	305	151	802	372				
	2	21	64	39	33	118	70	47	190	110	62	299	158	85	408	215	105	535	282	129	679	360	155	840	439				
	3	22	66	44	34	123	79	48	198	124	64	309	178	88	423	242	108	555	317	132	706	405	158	874	494				

COMMON VENT CAPACITY

VENT HEIGHT (H) (feet)	TYPE B DOUBLE-WALL COMMON VENT DIAMETER (D)—inches																				
	4			5			6			7			8			9			10		
	COMBINED APPLIANCE INPUT RATING IN THOUSANDS OF BTU/H																				
	FAN		FAN		NAT		FAN		FAN		NAT		FAN		FAN		NAT		FAN		NAT
+FAN		+NAT		+NAT		+FAN		+NAT		+NAT		+FAN		+NAT		+NAT		+FAN		+NAT	
6	92	81	65	140	116	103	204	161	147	309	248	200	404	314	260	547	434	335	672	520	410
8	101	90	73	155	129	114	224	178	163	339	275	223	444	348	290	602	480	378	740	577	465
10	110	97	79	169	141	124	243	194	178	367	299	242	477	377	315	649	522	405	800	627	495
15	125	112	91	195	164	144	283	228	206	427	352	280	556	444	365	753	612	465	924	733	565
20	136	123	102	215	183	160	314	255	229	475	394	310	621	499	405	842	688	523	1,035	826	640
30	152	138	118	244	210	185	361	297	266	547	459	360	720	585	470	979	808	605	1,209	975	740
50	167	153	134	279	244	214	421	353	310	641	547	423	854	706	550	1,164	977	705	1,451	1,188	860

For SI: 1 inch = 25.4 mm, 1 foot = 304.8 mm, 1 British thermal unit per hour = 0.2931 W.

TABLE 2428.3(2)
TYPE B DOUBLE-WALL VENT

Number of Appliances	Two or more
Appliances Type	Category I
Appliances Vent Connection	Single-wall metal connector

VENT CONNECTOR CAPACITY

VENT HEIGHT (H) (feet)	CONNECTOR RISE (R) (feet)	SINGLE-WALL METAL VENT CONNECTOR DIAMETER—(D) inches																								
		3			4			5			6			7			8			9			10			
		APPLIANCE INPUT RATING LIMITS IN THOUSANDS OF BTU/H																								
		FAN		NAT	FAN		NAT	FAN		NAT	FAN		NAT	FAN		NAT	FAN		NAT	FAN		NAT	FAN		NAT	FAN
Min	Max	Max	Min	Max	Max	Min	Max	Max	Min	Max	Max	Min	Max	Max	Min	Max	Max	Min	Max	Max	Min	Max	Max	Min	Max	Max
6	1	NA	NA	26	NA	NA	46	NA	NA	71	NA	NA	102	207	223	140	262	293	183	325	373	234	447	463	286	
	2	NA	NA	31	NA	NA	55	NA	NA	85	168	182	123	215	251	167	271	331	219	334	422	281	458	524	344	
	3	NA	NA	34	NA	NA	62	121	131	95	175	198	138	222	273	188	279	361	247	344	462	316	468	574	385	
8	1	NA	NA	27	NA	NA	48	NA	NA	75	NA	NA	106	226	240	145	285	316	191	352	403	244	481	502	299	
	2	NA	NA	32	NA	NA	57	125	126	89	184	193	127	234	266	173	293	353	228	360	450	292	492	560	355	
	3	NA	NA	35	NA	NA	64	130	138	100	191	208	144	241	287	197	302	381	256	370	489	328	501	609	400	
10	1	NA	NA	28	NA	NA	50	119	121	77	182	186	110	240	253	150	302	335	196	372	429	252	506	534	308	
	2	NA	NA	33	84	85	59	124	134	91	189	203	132	248	278	183	311	369	235	381	473	302	517	589	368	
	3	NA	NA	36	89	91	67	129	144	102	197	217	148	257	299	203	320	398	265	391	511	339	528	637	413	
15	1	NA	NA	29	79	87	52	116	138	81	177	214	116	238	291	158	312	380	208	397	482	266	556	596	324	
	2	NA	NA	34	83	94	62	121	150	97	185	230	138	246	314	189	321	411	248	407	522	317	568	646	387	
	3	NA	NA	39	87	100	70	127	160	109	193	243	157	255	333	215	331	438	281	418	557	360	579	690	437	
20	1	49	56	30	78	97	54	115	152	84	175	238	120	233	325	165	306	425	217	390	538	276	546	664	336	
	2	52	59	36	82	103	64	120	163	101	182	252	144	243	346	197	317	453	259	400	574	331	558	709	403	
	3	55	62	40	87	107	72	125	172	113	190	264	164	252	363	223	326	476	294	412	607	375	570	750	457	
30	1	47	60	31	77	110	57	112	175	89	169	278	129	226	380	175	296	497	230	378	630	294	528	779	358	
	2	51	62	37	81	115	67	117	185	106	177	290	152	236	397	208	307	521	274	389	662	349	541	819	425	
	3	54	64	42	85	119	76	122	193	120	185	300	172	244	412	235	316	542	309	400	690	394	555	855	482	

COMMON VENT CAPACITY

VENT HEIGHT (H) (feet)	TYPE B DOUBLE-WALL COMMON VENT DIAMETER—(D) inches																										
	4			5			6			7			8			9			10								
	COMBINED APPLIANCE INPUT RATING IN THOUSANDS OF BTU/H																										
	FAN	FAN	NAT	FAN	FAN	NAT	FAN	FAN	NAT	FAN	FAN	NAT	FAN	FAN	NAT	FAN	FAN	NAT	FAN	FAN	NAT						
+FAN	+NAT	+NAT	+FAN	+NAT	+NAT	+FAN	+NAT	+NAT	+FAN	+NAT	+NAT	+FAN	+NAT	+NAT	+FAN	+NAT	+NAT	+FAN	+NAT	+NAT							
6	NA	78	64	NA	113	99	200	158	144	304	244	196	398	310	257	541	429	332	665	515	407						
8	NA	87	71	NA	126	111	218	173	159	331	269	218	436	342	285	592	473	373	730	569	460						
10	NA	94	76	163	137	120	237	189	174	357	292	236	467	369	309	638	512	398	787	617	487						
15	121	108	88	189	159	140	275	221	200	416	343	274	544	434	357	738	599	456	905	718	553						
20	131	118	98	208	177	156	305	247	223	463	383	302	606	487	395	824	673	512	1,013	808	626						
30	145	132	113	236	202	180	350	286	257	533	446	349	703	570	459	958	790	593	1,183	952	723						
50	159	145	128	268	233	208	406	337	296	622	529	410	833	686	535	1,139	954	689	1,418	1,157	838						

For SI: 1 inch = 25.4 mm, 1 foot = 304.8 mm, 1 British thermal unit per hour = 0.2931 W.

TABLE 2428.3(3)
MASONRY CHIMNEY

Number of Appliances	Two or more
Appliances Type	Category I
Appliances Vent Connection	Type B double-wall connector

VENT CONNECTOR CAPACITY

VENT HEIGHT (H) (feet)	CONNECTOR RISE (R) (feet)	TYPE B DOUBLE-WALL VENT CONNECTOR DIAMETER—(D) inches																											
		3			4			5			6			7			8			9			10						
		APPLIANCE INPUT RATING LIMITS IN THOUSANDS OF BTU/H																											
		FAN		NAT		FAN		NAT		FAN		NAT		FAN		NAT		FAN		NAT		FAN		NAT		FAN		NAT	
Min		Max		Min		Max		Min		Max		Min		Max		Min		Max		Min		Max		Min		Max		Max	
6	1	24	33	21	39	62	40	52	106	67	65	194	101	87	274	141	104	370	201	124	479	253	145	599	319				
	2	26	43	28	41	79	52	53	133	85	67	230	124	89	324	173	107	436	232	127	562	300	148	694	378				
	3	27	49	34	42	92	61	55	155	97	69	262	143	91	369	203	109	491	270	129	633	349	151	795	439				
8	1	24	39	22	39	72	41	55	117	69	71	213	105	94	304	148	113	414	210	134	539	267	156	682	335				
	2	26	47	29	40	87	53	57	140	86	73	246	127	97	350	179	116	473	240	137	615	311	160	776	394				
	3	27	52	34	42	97	62	59	159	98	75	269	145	99	383	206	119	517	276	139	672	358	163	848	452				
10	1	24	42	22	38	80	42	55	130	71	74	232	108	101	324	153	120	444	216	142	582	277	165	739	348				
	2	26	50	29	40	93	54	57	153	87	76	261	129	103	366	184	123	498	247	145	652	321	168	825	407				
	3	27	55	35	41	105	63	58	170	100	78	284	148	106	397	209	126	540	281	147	705	366	171	893	463				
15	1	24	48	23	38	93	44	54	154	74	72	277	114	100	384	164	125	511	229	153	658	297	184	824	375				
	2	25	55	31	39	105	55	56	174	89	74	299	134	103	419	192	128	558	260	156	718	339	187	900	432				
	3	26	59	35	41	115	64	57	189	102	76	319	153	105	448	215	131	597	292	159	760	382	190	960	486				
20	1	24	52	24	37	102	46	53	172	77	71	313	119	98	437	173	123	584	239	150	752	312	180	943	397				
	2	25	58	31	39	114	56	55	190	91	73	335	138	101	467	199	126	625	270	153	805	354	184	1,011	452				
	3	26	63	35	40	123	65	57	204	104	75	353	157	104	493	222	129	661	301	156	851	396	187	1,067	505				

COMMON VENT CAPACITY

VENT HEIGHT (H) (feet)	MINIMUM INTERNAL AREA OF MASONRY CHIMNEY FLUE (square inches)																												
	12			19			28			38			50			63			78			113							
	COMBINED APPLIANCE INPUT RATING IN THOUSANDS OF BTU/H																												
FAN +FAN		FAN +NAT		NAT +NAT		FAN +FAN		FAN +NAT		NAT +NAT		FAN +FAN		FAN +NAT		NAT +NAT		FAN +FAN		FAN +NAT		NAT +NAT		FAN +FAN		FAN +NAT		NAT +NAT	
6	NA	74	25	NA	119	46	NA	178	71	NA	257	103	NA	351	143	NA	458	188	NA	582	246	1,041	853	NA					
8	NA	80	28	NA	130	53	NA	193	82	NA	279	119	NA	384	163	NA	501	218	724	636	278	1,144	937	408					
10	NA	84	31	NA	138	56	NA	207	90	NA	299	131	NA	409	177	606	538	236	776	686	302	1,226	1,010	454					
15	NA	NA	36	NA	152	67	NA	233	106	NA	334	152	523	467	212	682	611	283	874	781	365	1,374	1,156	546					
20	NA	NA	41	NA	NA	75	NA	250	122	NA	368	172	565	508	243	742	668	325	955	858	419	1,513	1,286	648					
30	NA	NA	NA	NA	NA	NA	NA	270	137	NA	404	198	615	564	278	816	747	381	1,062	969	496	1,702	1,473	749					
50	NA	NA	NA	NA	NA	NA	NA	NA	NA	NA	NA	NA	NA	620	328	879	831	461	1,165	1,089	606	1,905	1,692	922					

For SI: 1 inch = 25.4 mm, 1 square inch = 645.16 mm², 1 foot = 304.8 mm, 1 British thermal unit per hour = 0.2931 W.

TABLE 2428.3(4)
MASONRY CHIMNEY

Number of Appliances	Two or more
Appliances Type	Category I
Appliances Vent Connection	Single-wall connector

VENT CONNECTOR CAPACITY

VENT HEIGHT (H) (feet)	CONNECTOR RISE (R) (feet)	SINGLE-WALL METAL VENT CONNECTOR DIAMETER (D)—inches																																															
		3			4			5			6			7			8			9			10																										
		APPLIANCE INPUT RATING LIMITS IN THOUSANDS OF BTU/H																																															
		FAN		NA		FAN		NA		FAN		NA		FAN		NA		FAN		NA		FAN		NA		FAN		NAT		FAN		NA																	
Min	Max	Max	Min	Max	Max	Min	Max	Max	Min	Max	Max	Min	Max	Max	Min	Max	Max	Min	Max	Max	Min	Max	Max	Min	Max	Max	Min	Max	Max	Min	Max	Max																	
6	1	NA	NA	21	NA	NA	39	NA	NA	66	179	191	100	231	271	140	292	366	200	362	474	252	499	594	316	NA	NA	28	NA	NA	52	NA	NA	84	186	227	123	239	321	172	301	432	231	373	557	299	509	696	376
	2	NA	NA	34	NA	NA	61	134	153	97	193	258	142	247	365	202	309	491	269	381	634	348	519	793	437	NA	NA	21	NA	NA	40	NA	NA	68	195	208	103	250	298	146	313	407	207	387	530	263	529	672	331
	3	NA	NA	28	NA	NA	52	137	139	85	202	240	125	258	343	177	323	465	238	397	607	309	540	766	391	NA	NA	34	NA	NA	62	143	156	98	210	264	145	266	376	205	332	509	274	407	663	356	551	838	450
8	1	NA	NA	22	NA	NA	41	130	151	70	202	225	106	267	316	151	333	434	213	410	571	273	558	727	343	NA	NA	29	NA	NA	53	136	150	86	210	255	128	276	358	181	343	489	244	420	640	317	569	813	403
	2	NA	NA	34	97	102	62	143	166	99	217	277	147	284	389	207	352	530	279	430	694	363	580	880	459	NA	NA	23	NA	NA	43	129	151	73	199	271	112	268	376	161	349	502	225	445	646	291	623	808	366
	3	NA	NA	30	92	103	54	135	170	88	207	295	132	277	411	189	359	548	256	456	706	334	634	884	424	NA	NA	34	96	112	63	141	185	101	215	315	151	286	439	213	368	586	289	466	755	378	646	945	479
10	1	NA	NA	23	87	99	45	128	167	76	197	303	117	265	425	169	345	569	235	439	734	306	614	921	347	NA	NA	30	91	111	55	134	185	90	205	325	136	274	455	195	355	610	266	450	787	348	627	986	443
	2	NA	NA	35	96	119	64	140	199	103	213	343	154	282	481	219	365	644	298	461	831	391	639	1,042	496	NA	NA	23	87	99	45	128	167	76	197	303	117	265	425	169	345	569	235	439	734	306	614	921	347
	3	NA	NA	30	91	111	55	134	185	90	205	325	136	274	455	195	355	610	266	450	787	348	627	986	443	NA	NA	35	96	119	64	140	199	103	213	343	154	282	481	219	365	644	298	461	831	391	639	1,042	496

COMMON VENT CAPACITY

VENT HEIGHT (H) (feet)	MINIMUM INTERNAL AREA OF MASONRY CHIMNEY FLUE (square inches)																							
	12			19			28			38			50			63			78			113		
	COMBINED APPLIANCE INPUT RATING IN THOUSANDS OF BTU/H																							
	FAN +FA	FAN +NAT	NAT +NAT	FAN +FA	FAN +NAT	NAT +NAT	FAN +FA	FAN +NAT	NAT +NAT	FAN +FA	FAN +NAT	NAT +NAT	FAN +FA	FAN +NAT	NAT +NAT	FAN +FA	FAN +NAT	NAT +NAT	FAN +FA	FAN +NA	NAT +NA	FAN +FA	FAN +NA	NAT +NA
6	NA	NA	25	NA	118	45	NA	176	71	NA	255	102	NA	348	142	NA	455	187	NA	579	245	NA	846	NA
8	NA	NA	28	NA	128	52	NA	190	81	NA	276	118	NA	380	162	NA	497	217	NA	633	277	1,136	928	405
10	NA	NA	31	NA	136	56	NA	205	89	NA	295	129	NA	405	175	NA	532	234	171	680	300	1,216	1,000	450
15	NA	NA	36	NA	NA	66	NA	230	105	NA	335	150	NA	400	210	677	602	280	866	772	360	1,359	1,139	540
20	NA	NA	NA	NA	NA	74	NA	247	120	NA	362	170	NA	503	240	765	661	321	947	849	415	1,495	1,264	640
30	NA	NA	NA	NA	NA	NA	NA	NA	135	NA	398	195	NA	558	275	808	739	377	1,052	957	490	1,682	1,447	740
50	NA	NA	NA	NA	NA	NA	NA	NA	NA	NA	NA	NA	NA	612	325	NA	821	456	1,152	1,076	600	1,879	1,672	910

For SI: 1 inch = 25.4 mm, 1 square inch = 645.16 mm², 1 foot = 304.8 mm, 1 British thermal unit per hour = 0.2931 W.

SECTION 2429
DIRECT-VENT, INTEGRAL VENT, MECHANICAL VENT AND
VENTILATION/EXHAUST HOOD VENTING

2429.1 General. The installation of direct-vent and integral vent appliances shall be in accordance with Section 2427. Mechanical venting systems shall be designed and installed in accordance with Section 2427.

SECTION 2430
FACTORY-BUILT CHIMNEYS

2430.1 Listing. Factory-built chimneys for building heating appliances producing flue gases having a temperature not greater than 1,000°F (538°C), measured at the entrance to the chimney, shall be listed and labeled in accordance with UL 103 and shall be installed and terminated in accordance with the manufacturer's instructions.

2430.2 Support. Where factory-built chimneys are supported by structural members, such as joists and rafters, such members shall be designed to support the additional load.

SECTION 2431
GENERAL

2431.1 Scope. Sections 2432 through 2454 shall govern the approval, design, installation, construction, maintenance, alteration and repair of the appliances and equipment specifically identified herein.

SECTION 2432
DECORATIVE APPLIANCES FOR INSTALLATION IN FIREPLACES

2432.1 General. Decorative appliances for installation in approved solid fuel-burning fireplaces shall be tested in accordance with ANSI Z21.60/CSA 6.26 and shall be installed in accordance with the manufacturer's instructions. Manually lighted natural gas decorative appliances shall be tested in accordance with ANSI Z21.84.

2432.2 Flame safeguard device. Decorative appliances for installation in approved solid fuel-burning fireplaces, with the exception of those tested in accordance with ANSI Z21.84, shall utilize a direct ignition device, an ignitor or a pilot flame to ignite the fuel at the main burner, and shall be equipped with a flame

safeguard device. The flame safe-guard device shall automatically shut off the fuel supply to a main burner or group of burners when the means of ignition of such burners becomes inoperative.

2432.3 Prohibited installations. Decorative appliances for installation in fireplaces shall not be installed where prohibited by Section 2406.2.

SECTION 2433 **LOG LIGHTERS**

2433.1 General. Log lighters shall be tested in accordance with CSA 8 and shall be installed in accordance with the manufacturer's instructions.

SECTION 2434 **VENTED GAS FIREPLACES (DECORATIVE APPLIANCES)**

2434.1 General. Vented gas fireplaces shall be tested in accordance with ANSI Z21.50/CSA 2.22, shall be installed in accordance with the manufacturer's instructions and shall be designed and equipped as specified in Section 2432.2.

2434.2 Access. Panels, grilles and access doors that are required to be removed for normal servicing operations shall not be attached to the building.

SECTION 2435 **VENTED GAS FIREPLACE HEATERS**

2435.1 General. Vented gas fireplace heaters shall be installed in accordance with the manufacturer's instructions, shall be tested in accordance with ANSI Z21.88/CSA-2.33 and shall be designed and equipped as specified in Section 2432.2.

SECTION 2436 **VENTED WALL FURNACES**

2436.1 General. Vented wall furnaces shall be tested in accordance with ANSI Z21.86/CSA 2.32 and shall be installed in accordance with the manufacturer's instructions.

2436.2 Venting. Vented wall furnaces shall be vented in accordance with Section 2427.

2436.3 Location. Vented wall furnaces shall be located so as not to cause a fire hazard to walls, floors, combustible furnishings or doors. Vented wall furnaces installed between bathrooms and adjoining rooms shall not circulate air from bathrooms to other parts of the building.

2436.4 Door swing. Vented wall furnaces shall be located so that a door cannot swing within 12 inches (305 mm) of an air inlet or air outlet of such furnace measured at right angles to the opening. Doorstops or door closers shall not be installed to obtain this clearance.

2436.5 Ducts prohibited. Ducts shall not be attached to wall furnaces. Casing extension boots shall not be installed unless listed as part of the appliance.

2436.6 Access. Vented wall furnaces shall be provided with access for cleaning of heating surfaces, removal of burners, replacement of sections, motors, controls, filters and other working parts, and for adjustments and lubrication of parts requiring such attention. Panels, grilles and access doors that are required to be removed for normal servicing operations shall not be attached to the building construction.

SECTION 2437 **FLOOR FURNACES**

2437.1 General. Floor furnaces shall be tested in accordance with ANSI Z21.86/CSA 2.32 and shall be installed in accordance with the manufacturer's instructions.

2437.2 Placement. The following provisions apply to floor furnaces:

1. Floors. Floor furnaces shall not be installed in the floor of any doorway, stairway landing, aisle or passageway of any enclosure, public or private, or in an exitway from any such room or space.
2. Walls and corners. The register of a floor furnace with a horizontal warm air outlet shall not be placed closer than 6 inches (152 mm) to the nearest wall. A distance of not less than 18 inches (457 mm) from two adjoining sides of the floor furnace register to walls shall be provided to eliminate the necessity of occupants walking over the warm-air discharge. The remaining sides shall be permitted to be placed not closer than 6 inches (152 mm) to a wall. Wall-register models shall not be placed closer than 6 inches (152 mm) to a corner.
3. Draperies. The furnace shall be placed so that a door, drapery, or similar object cannot be nearer than 12 inches (305 mm) to any portion of the

- register of the furnace.
4. Floor construction. Floor furnaces shall not be installed in concrete floor construction built on grade.
 5. Thermostat. The controlling thermostat for a floor furnace shall be located within the same room or space as the floor furnace or shall be located in an adjacent room or space that is permanently open to the room or space containing the floor furnace.

2437.3 Bracing. The floor around the furnace shall be braced and headed with a support framework designed in accordance with Chapter 5.

2437.4 Clearance. The lowest portion of the floor furnace shall have not less than a 6-inch (152 mm) clearance from the grade level; except where the lower 6-inch (152 mm) portion of the floor furnace is sealed by the manufacturer to prevent entrance of water, the minimum clearance shall be not less than 2 inches (51 mm). Where such clearances cannot be provided, the ground below and to the sides shall be excavated to form a pit under the furnace so that the required clearance is provided beneath the lowest portion of the furnace. A 12-inch (305 mm) minimum clearance shall be provided on all sides except the control side, which shall have an 18-inch (457 mm) minimum clearance.

2437.5 First-floor installation. Where the basement story level below the floor in which a floor furnace is installed is utilized as habitable space, such floor furnaces shall be enclosed as specified in Section 2437.6 and shall project into a non-habitable space.

2437.6 Upper-floor installations. Floor furnaces installed in upper stories of buildings shall project below into non-habitable space and shall be separated from the non-habitable space by an enclosure constructed of noncombustible materials. The floor furnace shall be provided with access, clearance to all sides and bottom of not less than 6 inches (152 mm) and combustion air in accordance with Section 2407.

SECTION 2438 **CLOTHES DRYERS**

2438.1 General. Clothes dryers shall be tested in accordance with ANSI Z21.5.1/CSA 7.1 and shall be installed in accordance with the manufacturer's instructions.

SECTION 2439

CLOTHES DRYER EXHAUST

2439.1 Installation. Clothes dryers shall be exhausted in accordance with the manufacturer's instructions. Dryer exhaust systems shall be independent of all other systems and shall convey the moisture and any products of combustion to the outside of the building.

2439.2 Duct penetrations. Ducts that exhaust clothes dryers shall not penetrate or be located within any fireblocking, draftstopping or any wall, floor/ceiling or other assembly required by this code to be fire-resistance rated, unless such duct is constructed of galvanized steel or aluminum of the thickness specified in the mechanical provisions of this code and the fire-resistance rating is maintained in accordance with this code. Fire dampers shall not be installed in clothes dryer exhaust duct systems.

2439.3 Exhaust installation. Exhaust ducts for clothes dryers shall terminate on the outside of the building and shall be equipped with a backdraft damper. Screens shall not be installed at the duct termination. Ducts shall not be connected or installed with sheet metal screws or other fasteners that will obstruct the flow. Clothes dryer exhaust ducts shall not be connected to a vent connector, vent or chimney. Clothes dryer exhaust ducts shall not extend into or through ducts or plenums. Clothes dryer exhaust ducts shall be sealed in accordance with Section 1601.4.1.

2439.3.1 Exhaust termination outlet and passageway. The passageway of dryer exhaust duct terminals shall be undiminished in size and shall provide an open area of not less than 12.5 square inches (8065 mm²).

2439.4 Dryer exhaust duct power ventilators. Domestic dryer exhaust duct power ventilators shall be listed and labeled to UL 705 for use in dryer exhaust duct systems. The dryer exhaust duct power ventilator shall be installed in accordance with the manufacturer's instructions.

2439.5 Makeup air. Installations exhausting more than 200 cfm (0.09 m³/s) shall be provided with makeup air. Where a closet is designed for the installation of a clothes dryer, an opening having an area of not less than 100 square inches (0.0645 m²) for makeup air shall be provided in the closet enclosure, or makeup air shall be provided by other approved means.

2439.6 Protection required. Protective shield plates shall be placed where nails or screws from finish or other work are likely to penetrate the clothes dryer exhaust

duct. Shield plates shall be placed on the finished face of all framing members where there is less than 1 1/4 -inches (32 mm) between the duct and the finished face of the framing member. Protective shield plates shall be constructed of steel, shall have a minimum thickness of 0.062 inch (1.6 mm) and shall extend not less than 2 inches (51 mm) above sole plates and below top plates.

2439.7 Domestic clothes dryer exhaust ducts. Exhaust ducts for domestic clothes dryers shall conform to the requirements of Sections 2439.7.1 through 2439.7.6.

2439.7.1 Material and size. Exhaust ducts shall have a smooth interior finish and shall be constructed of metal not less than 0.016 inch (0.4 mm) in thickness. The exhaust duct size shall be 4 inches (102 mm) nominal in diameter.

2439.7.2 Duct installation. Exhaust ducts shall be supported at 4-foot (1219 mm) intervals and secured in place. The insert end of the duct shall extend into the adjoining duct or fitting in the direction of airflow. Ducts shall not be joined with screws or similar fasteners that protrude more than 1/8 inch (3.2 mm) into the inside of the duct. Where dryer exhaust ducts are enclosed in wall or ceiling cavities, such cavities shall allow the installation of the duct without deformation.

2439.7.3 Transition ducts. Transition ducts used to connect the dryer to the exhaust duct system shall be a single length that is listed and labeled in accordance with UL 2158A. Transition ducts shall be not more than 8 feet (2438 mm) in length and shall not be concealed within construction.

2439.7.4 Duct length. The maximum allowable exhaust duct length shall be determined by one of the methods specified in Sections 2439.7.4.1 through 2439.7.4.3.

2439.7.4.1 Specified length. The maximum length of the exhaust duct shall be 35 feet (10 668 mm) from the connection to the transition duct from the dryer to the outlet terminal. Where fittings are used, the maximum length of the exhaust duct shall be reduced in accordance with Table 2439.7.4.1.

TABLE 2439.7.4.1
DRYER EXHAUST DUCT FITTING EQUIVALENT LENGTH

DRYER EXHAUST DUCT FITTING TYPE	EQUIVALENT LENGTH
4-inch radius mitered 45-degree elbow	2 feet, 6 inches
4-inch radius mitered 90-degree elbow	5 feet
6-inch radius smooth 45-degree elbow	1 foot
6-inch radius smooth 90-degree elbow	1 foot, 9 inches
8-inch radius smooth 45-degree elbow	1 foot
8-inch radius smooth 90-degree elbow	1 foot, 7 inches
10-inch radius smooth 45-degree elbow	9 inches
10-inch radius smooth 90-degree elbow	1 foot, 6 inches

For SI: 1 inch = 25.4 mm (6.4 mm high), 1 foot = 304.8 mm, 1 degree = 0.0175 rad.

2439.7.4.2 (614.8.4.2) Manufacturer's instructions. The maximum length of the exhaust duct shall be determined by the dryer manufacturer's installation instructions. The code official shall be provided with a copy of the installation instructions for the make and model of the dryer. Where the exhaust duct is to be concealed, the installation instructions shall be provided to the code official prior to the concealment inspection. In the absence of fitting equivalent length calculations from the clothes dryer manufacturer, Table 2439.7.4.1 shall be utilized.

2439.7.4.3 (614.8.4.3) Dryer exhaust duct power ventilator length. The maximum length of the exhaust duct shall be determined by the dryer exhaust duct power ventilator manufacturer's installation instructions.

2439.7.5 Length identification. Where the exhaust duct equivalent length exceeds 35 feet (10 668 mm), the equivalent length of the exhaust duct shall be determined by the dryer manufacturer's instructions and identified on a permanent label or tag. The label or tag shall be located within 6 feet (1829 mm) of the exhaust duct connection *or at the electric panel*.

2439.7.6 Exhaust duct required. Where space for a clothes dryer is provided, an exhaust duct system shall be installed.

Where the clothes dryer is not installed at the time of occupancy, the exhaust duct shall be capped at the location of the future dryer.

Exception: Where a listed condensing clothes dryer is installed prior to occupancy of the structure.

SECTION 2440 **SAUNA HEATERS**

2440.1 General. Sauna heaters shall be installed in accordance with the

manufacturer's instructions.

2440.2 Location and protection. Sauna heaters shall be located so as to minimize the possibility of accidental contact by a person in the room.

2440.2.1 Guards. Sauna heaters shall be protected from accidental contact by an approved guard or barrier of material having a low coefficient of thermal conductivity. The guard shall not substantially affect the transfer of heat from the heater to the room.

2440.3 Access. Panels, grilles and access doors that are required to be removed for normal servicing operations, shall not be attached to the building.

2440.4 Combustion and dilution air intakes. Sauna heaters of other than the direct-vent type shall be installed with the draft hood and combustion air intake located outside the sauna room. Where the combustion air inlet and the draft hood are in a dressing room adjacent to the sauna room, there shall be provisions to prevent physically blocking the combustion air inlet and the draft hood inlet, and to prevent physical contact with the draft hood and vent assembly, or warning notices shall be posted to avoid such contact. Any warning notice shall be easily readable, shall contrast with its background and the wording shall be in letters not less than ¼ inch (6.4 mm) high.

2440.5 Combustion and ventilation air. Combustion air shall not be taken from inside the sauna room. Combustion and ventilation air for a sauna heater not of the direct-vent type shall be provided to the area in which the combustion air inlet and draft hood are located in accordance with Section 2407.

2440.6 Heat and time controls. Sauna heaters shall be equipped with a thermostat that will limit room temperature to 194°F (90°C). If the thermostat is not an integral part of the sauna heater, the heat-sensing element shall be located within 6 inches (152 mm) of the ceiling. If the heat-sensing element is a capillary tube and bulb, the assembly shall be attached to the wall or other support, and shall be protected against physical damage.

2440.6.1 Timers. A timer, if provided to control main burner operation, shall have a maximum operating time of 1 hour. The control for the timer shall be located outside the sauna room.

2440.7 Sauna room. A ventilation opening into the sauna room shall be provided. The opening shall be not less than 4 inches by 8 inches (102 mm by 203 mm)

located near the top of the door into the sauna room.

SECTION 2441 **POOL AND SPA HEATERS**

2441.1 General. *Where regulations are adopted and enforced by the local jurisdiction, heaters for residential swimming pools and spas shall be tested in accordance with ANSI Z21.56/CSA 4.7 and shall be installed in accordance with the manufacturer's instructions.*

SECTION 2442 **FORCED-AIR WARM-AIR FURNACES**

2442.1 General. Forced-air warm-air furnaces shall be tested in accordance with ANSI Z21.47/CSA 2.3 or UL 795 and shall be installed in accordance with the manufacturer's instructions.

2442.2 Dampers. Volume dampers shall not be placed in the air inlet to a furnace in a manner that will reduce the required air to the furnace.

2442.3 Prohibited sources. Outdoor or return air for forced-air heating and cooling systems shall not be taken from the following locations:

1. Closer than 10 feet (3048 mm) from an appliance vent outlet, a vent opening from a plumbing drainage system or the discharge outlet of an exhaust fan, unless the out-let is 3 feet (914 mm) above the outside air inlet.
2. Where there is the presence of objectionable odors, fumes or flammable vapors; or where located less than 10 feet (3048 mm) above the surface of any abutting public way or driveway; or where located at grade level by a sidewalk, street, alley or driveway.
3. A hazardous or insanitary location or a refrigeration machinery room as defined in the *mechanical code*.
4. A room or space, the volume of which is less than 25 percent of the entire volume served by such system. Where connected by a permanent opening having an area sized in accordance with this code, adjoining rooms or spaces shall be considered to be a single room or space for the purpose of determining the volume of such rooms or spaces.

Exception: The minimum volume requirement shall not apply where the amount of return air taken from a room or space is less than or equal to the amount of supply air delivered to such room or space.
5. A room or space containing an appliance where such a room or space serves as the sole source of return air.

Exception: This shall not apply where:

1. The appliance is a direct-vent appliance or an appliance not requiring a vent in accordance with Section 2425.8.
2. The room or space complies with the following requirements:
 - 2.1. The return air shall be taken from a room or space having a volume exceeding 1 cubic foot for each 10 Btu/h (9.6 L/W) of combined input rating of all fuel-burning appliances therein.
 - 2.2. The volume of supply air discharged back into the same space shall be approximately equal to the volume of return air taken from the space.
 - 2.3. Return-air inlets shall not be located within 10 feet (3048 mm) of a draft hood in the same room or space or the combustion chamber of any atmospheric burner appliance in the same room or space.
3. Rooms or spaces containing solid fuel-burning appliances, provided that return-air inlets are located not less than 10 feet (3048 mm) from the firebox of such appliances.
6. A closet, bathroom, toilet room, kitchen, garage, boiler room, furnace room or unconditioned attic.

Exceptions:

1. Where return air intakes are located not less than 10 feet (3048 mm) from cooking appliances and serve only the kitchen area, taking return air from a kitchen area shall not be prohibited.
2. Dedicated forced-air systems serving only a garage shall not be prohibited from obtaining return air from the garage.
7. A crawl space by means of direct connection to the return side of a forced-air system. Transfer openings in the crawl space enclosure shall not be prohibited.

2442.4 Screen. Required outdoor air inlets shall be covered with a screen having $\frac{1}{4}$ -inch (6.4 mm) openings.

2442.5 Return-air limitation. Return air from one dwelling unit shall not be discharged into another dwelling unit.

2442.6 Furnace plenums and air ducts. Where a furnace is installed so that supply ducts carry air circulated by the furnace to areas outside of the space containing the furnace, the return air shall be handled by a duct(s) sealed to the furnace casing and terminating outside of the space containing the furnace.

SECTION 2443 **CONVERSION BURNERS**

2443.1 (619.1) Conversion burners. The installation of conversion burners shall conform to ANSI Z21.8.

SECTION 2444 **UNIT HEATERS**

2444.1 General. Unit heaters shall be tested in accordance with ANSI Z83.8/CSA 2.6 and shall be installed in accordance with the manufacturer's instructions.

2444.2 Support. Suspended-type unit heaters shall be supported by elements that are designed and constructed to accommodate the weight and dynamic loads. Hangers and brackets shall be of noncombustible material.

2444.3 Ductwork. Ducts shall not be connected to a unit heater unless the heater is listed for such installation.

2444.4 Clearance. Suspended-type unit heaters shall be installed with clearances to combustible materials of not less than 18 inches (457 mm) at the sides, 12 inches (305 mm) at the bottom and 6 inches (152 mm) above the top where the unit heater has an internal draft hood or 1 inch (25 mm) above the top of the sloping side of the vertical draft hood.

Floor-mounted-type unit heaters shall be installed with clearances to combustible materials at the back and one side only of not less than 6 inches (152 mm). Where the flue gases are vented horizontally, the 6-inch (152 mm) clearance shall be measured from the draft hood or vent instead of the rear wall of the unit heater. Floor-mounted-type unit heaters shall not be installed on combustible floors unless listed for such installation.

Clearances for servicing all unit heaters shall be in accordance with the manufacturer's installation instructions.

Exception: Unit heaters listed for reduced clearance shall be permitted to be installed with such clearances in accordance with their listing and the manufacturer's instructions.

SECTION 2445 **UNVENTED ROOM HEATERS**

2445.1 General. Unvented room heaters shall be tested in accordance with ANSI Z21.11.2 and shall be installed in accordance with the conditions of the listing and the manufacturer's instructions.

2445.2 Prohibited use. One or more unvented room heaters shall not be used as the sole source of comfort heating in a dwelling unit.

2445.3 Input rating. Unvented room heaters shall not have an input rating in excess of 40,000 Btu/h (11.7 kW).

2445.4 Prohibited locations. The location of unvented room heaters shall comply with Section 2406.2.

2445.5 Room or space volume. The aggregate input rating of all unvented appliances installed in a room or space shall not exceed 20 Btu/h per cubic foot (207 W/m³) of volume of such room or space. Where the room or space in which the appliances are installed is directly connected to another room or space by a doorway, archway or other opening of comparable size that cannot be closed, the volume of such adjacent room or space shall be permitted to be included in the calculations.

2445.6 Oxygen-depletion safety system. Unvented room heaters shall be equipped with an oxygen-depletion-sensitive safety shutoff system. The system shall shut off the gas supply to the main and pilot burners when the oxygen in the surrounding atmosphere is depleted to the percent concentration specified by the manufacturer, but not lower than 18 percent. The system shall not incorporate field adjustment means capable of changing the set point at which the system acts to shut off the gas supply to the room heater.

2445.7 Unvented decorative room heaters. An unvented decorative room heater shall not be installed in a factory-built fireplace unless the fireplace system has been specifically tested, listed and labeled for such use in accordance with UL 127.

2445.7.1 Ventless firebox enclosures. Vent-less firebox enclosures used with unvented decorative room heaters shall be listed as complying with ANSI Z21.91.

SECTION 2446 **VENTED ROOM HEATERS**

2446.1 General. Vented room heaters shall be tested in accordance with ANSI Z21.86/CSA 2.32, shall be designed and equipped as specified in Section 2432.2 and shall be installed in accordance with the manufacturer's instructions.

SECTION 2447
COOKING APPLIANCES

2447.1 Cooking appliances. Cooking appliances that are designed for permanent installation, including ranges, ovens, stoves, broilers, grills, fryers, griddles, hot plates and barbecues, shall be tested in accordance with ANSI Z21.1 or ANSI Z21.58/CSA 1.6 and shall be installed in accordance with the manufacturer's instructions.

2447.2 Prohibited location. Cooking appliances designed, tested, listed and labeled for use in commercial occupancies shall not be installed within dwelling units or within any area where domestic cooking operations occur.

Exceptions:

1. Appliances that are also listed as domestic cooking appliances.
2. Deleted.

2447.3 Domestic appliances. Cooking appliances installed within dwelling units and within areas where domestic cooking operations occur shall be listed and labeled as household-type appliances for domestic use.

2447.4 Range installation. Ranges installed on combustible floors shall be set on their own bases or legs and shall be installed with clearances of not less than that shown on the label.

2447.5 Vertical clearance above cooking top. Household cooking appliances shall have a vertical clearance above the cooking top of not less than 30 inches (760 mm) to combustible material and metal cabinets. A minimum clearance of 24 inches (610 mm) is permitted where one of the following is installed:

1. The underside of the combustible material or metal cabinet above the cooking top is protected with not less than 1/4 -inch (6.4 mm) insulating millboard covered with sheet metal not less than 0.0122 inch (0.3 mm) thick.
2. A metal ventilating hood constructed of sheet metal not less than 0.0122 inch (0.3 mm) thick is installed above the cooking top with a clearance of not less than 1/4 inch (6.4 mm) between the hood and the underside of the combustible material or metal cabinet. The hood shall have a width not less than the width of the appliance and shall be centered over the appliance.
3. A listed cooking appliance or microwave oven is installed over a listed cooking appliance and in compliance with the terms of the manufacturer's installation instructions for the upper appliance.

SECTION 2448 **WATER HEATERS**

2448.1 General. Water heaters shall be tested in accordance with ANSI Z21.10.1/CSA 4.1 and ANSI Z21.10.3/CSA 4.3 and shall be installed in accordance with the manufacturer's instructions.

2448.1.1 Installation requirements. The requirements for water heaters relative to sizing, relief valves, drain pans and scald protection shall be in accordance with this code.

2448.2 Water heaters utilized for space heating. Water heaters utilized both to supply potable hot water and provide hot water for space-heating applications shall be listed and labeled for such applications by the manufacturer and shall be installed in accordance with the manufacturer's instructions and this code.

SECTION 2449 **AIR-CONDITIONING APPLIANCES**

2449.1 General. Gas-fired air-conditioning appliances shall be tested in accordance with ANSI Z21.40.1/CSA 2.91 or ANSI Z21.40.2/CSA 2.92 and shall be installed in accordance with the manufacturer's instructions.

2449.2 Independent piping. Gas piping serving heating appliances shall be permitted to also serve cooling appliances where such heating and cooling appliances cannot be operated simultaneously (see Section 2413).

2449.3 Connection of gas-engine-powered air conditioners. To protect against the effects of normal vibration in service, gas engines shall not be rigidly connected to the gas supply piping.

2449.4 Installation. Air-conditioning appliances shall be installed in accordance with the manufacturer's instructions. Unless the appliance is listed for installation on a combustible surface such as a floor or roof, or unless the surface is protected in an approved manner, the appliance shall be installed on a surface of noncombustible construction with noncombustible material and surface finish, and combustible material shall not be against the underside thereof.

SECTION 2450 **ILLUMINATING APPLIANCES**

2450.1 General. Illuminating appliances shall be tested in accordance with ANSI Z21.42 and shall be installed in accordance with the manufacturer's instructions.

2450.2 Mounting on buildings. Illuminating appliances designed for wall or ceiling mounting shall be securely attached to substantial structures in such a manner that they are not dependent on the gas piping for support.

2450.3 Mounting on posts. Illuminating appliances designed for post mounting shall be securely and rigidly attached to a post. Posts shall be rigidly mounted. The strength and rigidity of posts greater than 3 feet (914 mm) in height shall be at least equivalent to that of a 2 1/2 -inch-diameter (64 mm) post constructed of 0.064-inch-thick (1.6 mm) steel or a 1-inch (25 mm) Schedule 40 steel pipe. Posts 3 feet (914 mm) or less in height shall not be smaller than a 3/4 -inch (19.1 mm) Schedule 40 steel pipe. Drain openings shall be provided near the base of posts where there is a possibility of water collecting inside them.

2450.4 Appliance pressure regulators. Where an appliance pressure regulator is not supplied with an illuminating appliance and the service line is not equipped with a service pressure regulator, an appliance pressure regulator shall be installed in the line to the illuminating appliance. For multiple installations, one regulator of adequate capacity shall be permitted to serve more than one illuminating appliance.

SECTION 2451 **INFRARED RADIANT HEATERS**

2451.1 General. Infrared radiant heaters shall be tested in accordance with ANSI Z83.19 or Z83.20 and shall be installed in accordance with the manufacturer's instructions.

2451.2 Support. Infrared radiant heaters shall be fixed in a position independent of gas and electric supply lines. Hangers and brackets shall be of noncombustible material.

SECTION 2452 **BOILERS**

2452.1 Standards. Boilers shall be designed, constructed and certified in accordance with the "ASME Boiler and Pressure Vessel Code, Section I or IV". The boiler shall be provided with safety devices and controls as required in the applicable section of the "ASME Boiler and Pressure Vessel Code." Alternatively,

controls and safety devices for boilers with fuel input ratings of 12,500,000 Btu/hr (3,662,500 W) or less shall meet the requirements of ASME CSD-1. Controls and safety devices for boilers with inputs greater than 12,500,000 Btu/hr (3,662,500 W) shall meet the requirements of NFPA 85. Packaged oil-fired boilers shall be listed and labeled in accordance with UL 726. Packaged electric boilers shall be listed and labeled in accordance with UL 834. Solid-fuel-fired boilers shall be listed and labeled in accordance with UL 2523.

2452.2 Installation. In addition to the requirements of this code, the installation of boilers shall be in accordance with the manufacturer's instructions. Operating instructions of a permanent type shall be attached to the boiler. Boilers shall have all controls set, adjusted and tested by the installer. A complete control diagram together with complete boiler operating instructions shall be furnished by the installer. The manufacturer's rating data and the nameplate shall be attached to the boiler.

2452.3 Clearance to combustible material. Clearances to combustible materials shall be in accordance with Section 2409.4.

SECTION 2453 **CHIMNEY DAMPER OPENING AREA**

2453.1 Free opening area of chimney dampers. Where an unlisted decorative appliance for installation in a vented fireplace is installed, the fireplace damper shall have a permanent free opening equal to or greater than specified in Table 2453.1.

TABLE 2453.1
FREE OPENING AREA OF CHIMNEY DAMPER FOR VENTING FLUE GASES FROM UNLISTED DECORATIVE APPLIANCES FOR INSTALLATION IN VENTED FIREPLACES

<u>CHIMNEY HEIGHT</u> <u>(feet)</u>	<u>MINIMUM PERMANENT FREE OPENING</u>						
	<u>(square inches)^a</u>						
	<u>8</u>	<u>13</u>	<u>20</u>	<u>29</u>	<u>39</u>	<u>51</u>	<u>64</u>
	<u>Appliance input rating (Btu per hour)</u>						
<u>6</u>	<u>7,800</u>	<u>14,000</u>	<u>23,200</u>	<u>34,000</u>	<u>46,400</u>	<u>62,400</u>	<u>80,000</u>
<u>8</u>	<u>8,400</u>	<u>15,200</u>	<u>25,200</u>	<u>37,000</u>	<u>50,400</u>	<u>68,000</u>	<u>86,000</u>
<u>10</u>	<u>9,000</u>	<u>16,800</u>	<u>27,600</u>	<u>40,400</u>	<u>55,800</u>	<u>74,400</u>	<u>96,400</u>
<u>15</u>	<u>9,800</u>	<u>18,200</u>	<u>30,200</u>	<u>44,600</u>	<u>62,400</u>	<u>84,000</u>	<u>108,800</u>
<u>20</u>	<u>10,600</u>	<u>20,200</u>	<u>32,600</u>	<u>50,400</u>	<u>68,400</u>	<u>94,000</u>	<u>122,200</u>
<u>30</u>	<u>11,200</u>	<u>21,600</u>	<u>36,600</u>	<u>55,200</u>	<u>76,800</u>	<u>105,800</u>	<u>138,600</u>

For SI: 1 inch = 25.4 mm, 1 foot = 304.8 mm, 1 square inch = 645.16 mm², 1,000 Btu per hour = 0.2931 kW.

- a. The first six minimum permanent free openings (8 to 51 square inches) correspond approximately to the cross-sectional areas of chimneys having diameters of 3 through 8 inches, respectively. The 64-square-inch opening corresponds to the cross-sectional area of standard 8-inch by 8-inch chimney tile.

SECTION 2454
OUTDOOR DECORATIVE APPLIANCES

2454.1 General. Permanently fixed-in-place out- door decorative appliances shall be tested in accordance with ANSI Z21.97 and shall be installed in accordance with the manufacturer's instructions.

Replaces: 4101:8-24-01
Effective: 7/1/2019
Five Year Review (FYR) Dates: 07/01/2024

CERTIFIED ELECTRONICALLY

Certification

12/14/2018

Date

Promulgated Under: 119.03
Statutory Authority: 3781.10(A)(1)
Rule Amplifies: 3781.01, 4740.14, 3791.04, 3781.11, 3781.10, 3781.06
Prior Effective Dates: 05/27/2006, 01/01/2013, 01/01/2016